

TECHNICAL BULLETIN
LTB00630NAS1
04 FEB 2014



© Jaguar Land Rover North America, LLC

NOTE: The information in Technical Bulletins is intended for use by trained, professional Technicians with the knowledge, tools, and equipment required to do the job properly and safely. It informs these Technicians of conditions that may occur on some vehicles, or provides information that could assist in proper vehicle service. The procedures should not be performed by 'do-it-yourselfers'. If you are not a Retailer, do not assume that a condition described affects your vehicle. Contact an authorized Land Rover service facility to determine whether this bulletin applies to a specific vehicle.

SECTION: 501-12

Front Floor Console Cup Holder Sliding Cover Does Not Latch / Sticks in the Open Position

AFFECTED VEHICLE RANGE:

Range Rover (LG)

Model Year: 2013 Onwards

VIN: DA001204 Onwards

MARKETS:

NAS

CONDITION SUMMARY:

Situation: The front floor console cup holder sliding cover may not latch or may stick in the open position.

Cause: This may be caused by internal components being not to specification.

Action: Should a customer express this concern, follow the Service Instruction outlined below.

PARTS:


LR060762 Service Kit - Clip and washer Quantity: 1

TOOLS:

No Tools Required

WARRANTY:

 **NOTE: Repair procedures are under constant review, and therefore times are subject to change; those quoted here must be taken as guidance only. Always refer to TOPIx to obtain the latest repair time.**

 **NOTE: DDW requires the use of causal part numbers. Labor only claims must show the causal part number with a quantity of zero.**

DESCRIPTION	SRO	TIME (HOURS)	CONDITION CODE	CAUSAL PART
Cup holder - Rework	76.25.89.37	0.9	42	LR048942

 **NOTE: Normal Warranty policies and procedures apply.**

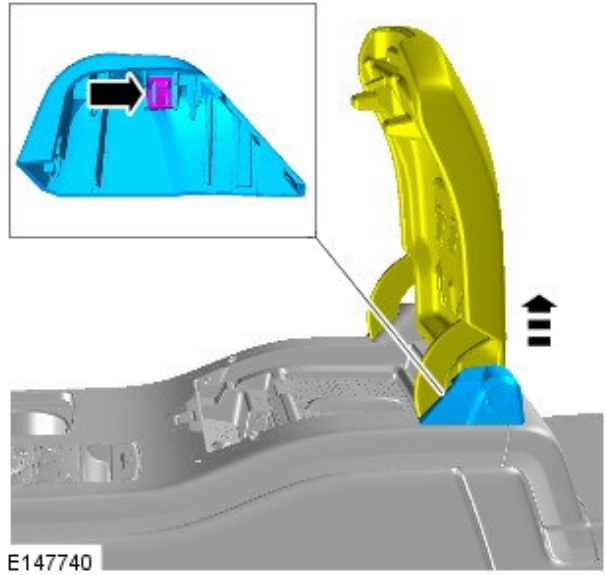
SERVICE INSTRUCTION:

 **NOTE: Removal steps in this procedure may contain installation details.**

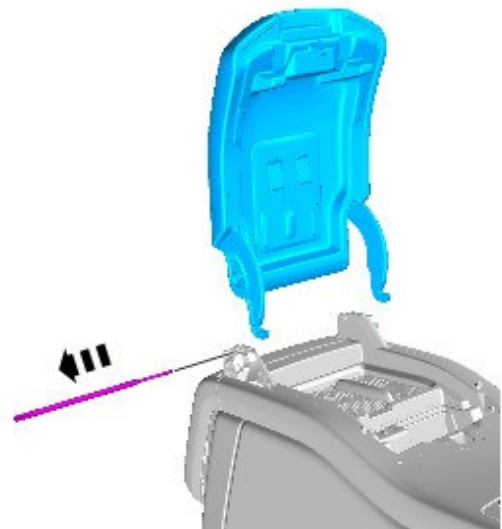
1. Remove Audio unit (see TOPIx Workshop Manual, section 415-01).

2.  **NOTE: Repeat the step for the other side.**

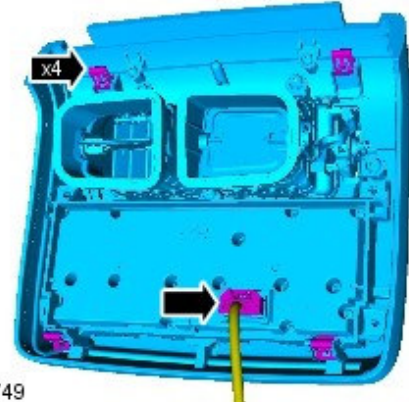
Remove the armrest lid hinge cover.



3. Remove the armrest lid.

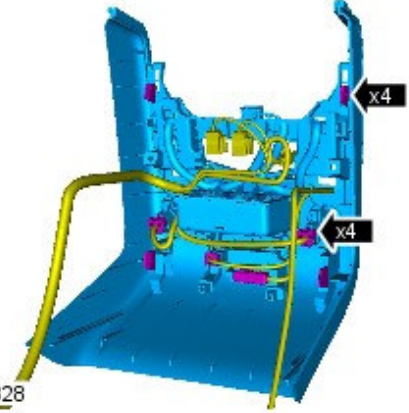
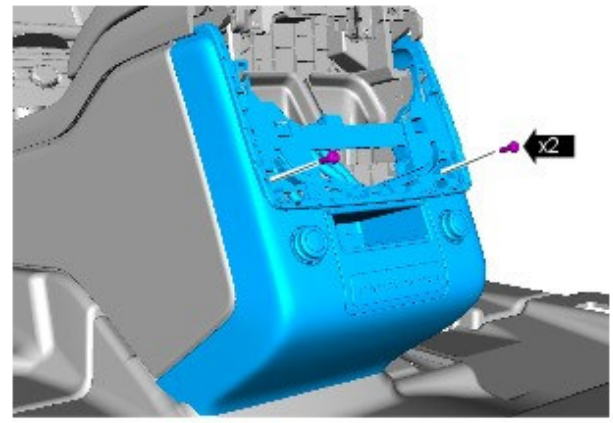


4. Remove the upper console.



E147749

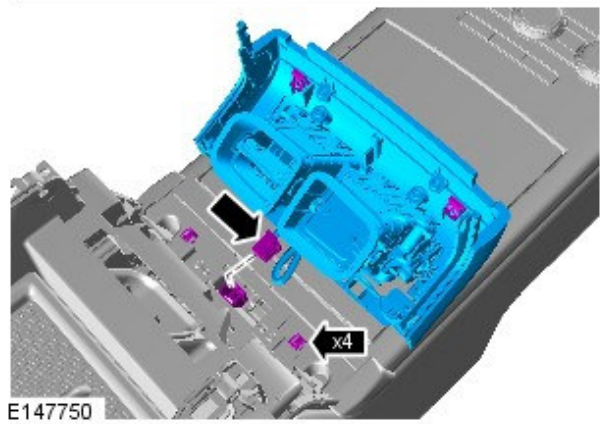
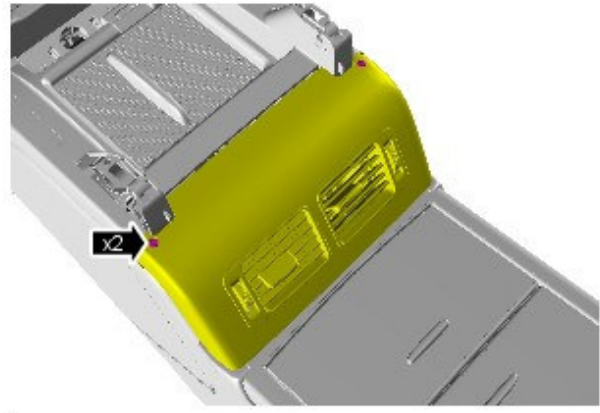
5. Remove the lower console.



E148828

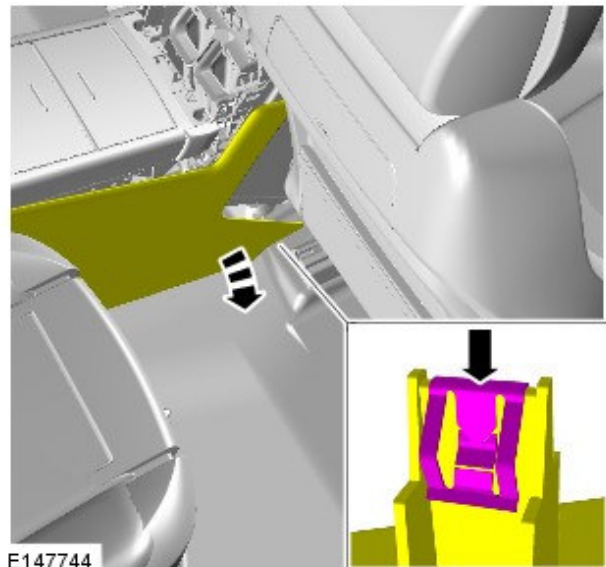
Steps 6-7: Vehicles with Business Seats only

6. Remove the air vents.



E147750

7. Remove the rear console side cover.

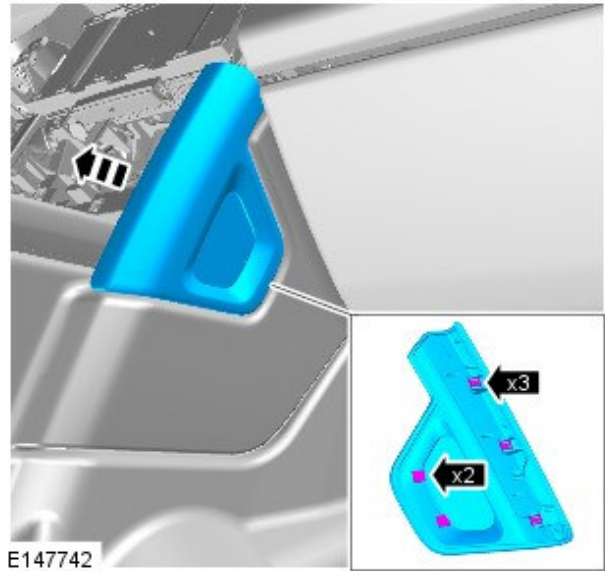


E147744

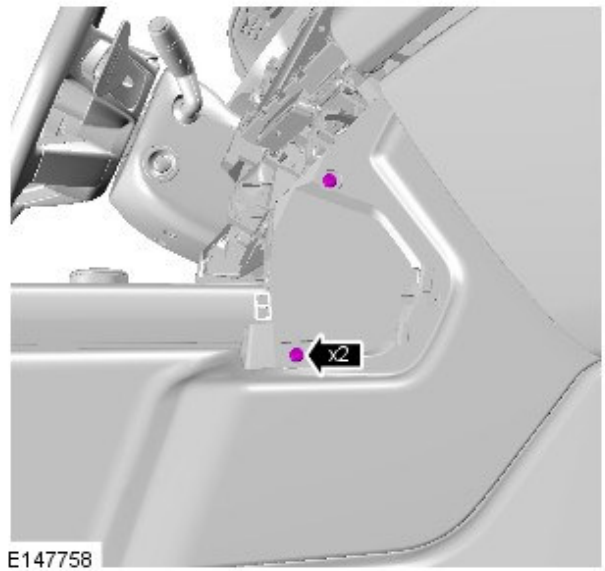
All Vehicles

8.  **NOTE: Repeat the step to the other side.**

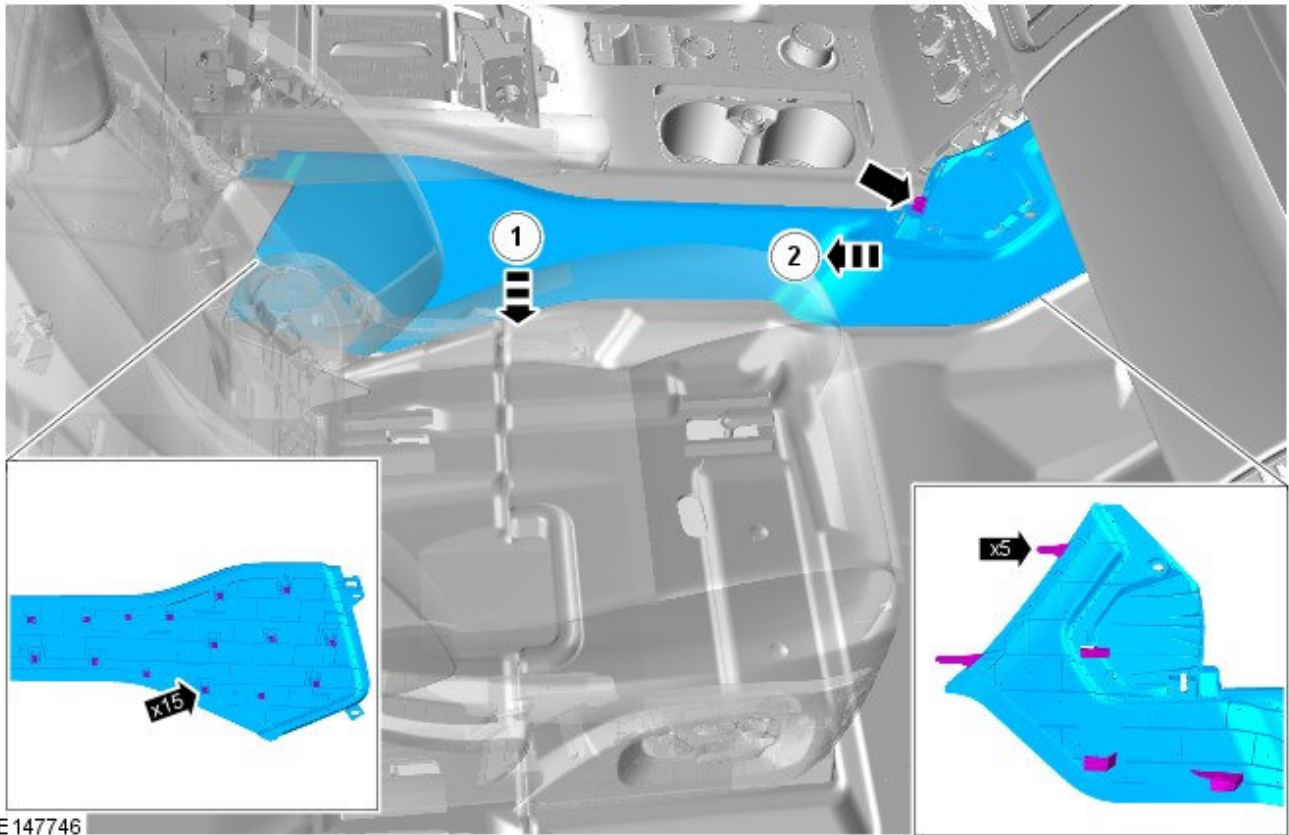
Remove the floor console trim.



9. Remove the floor console side trim screws.

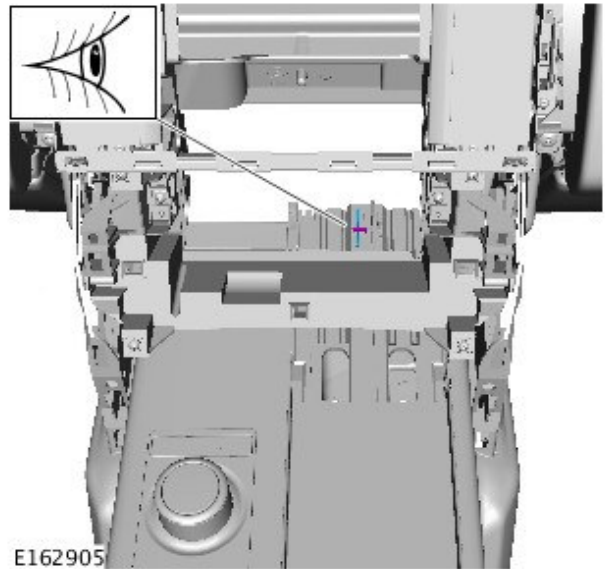


10. Remove the floor console side trim.



E 147746

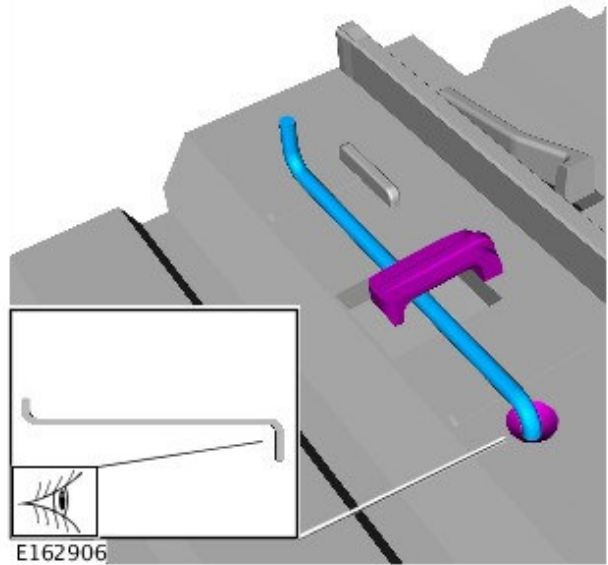
11. Locate the cup holder spring.



E162905

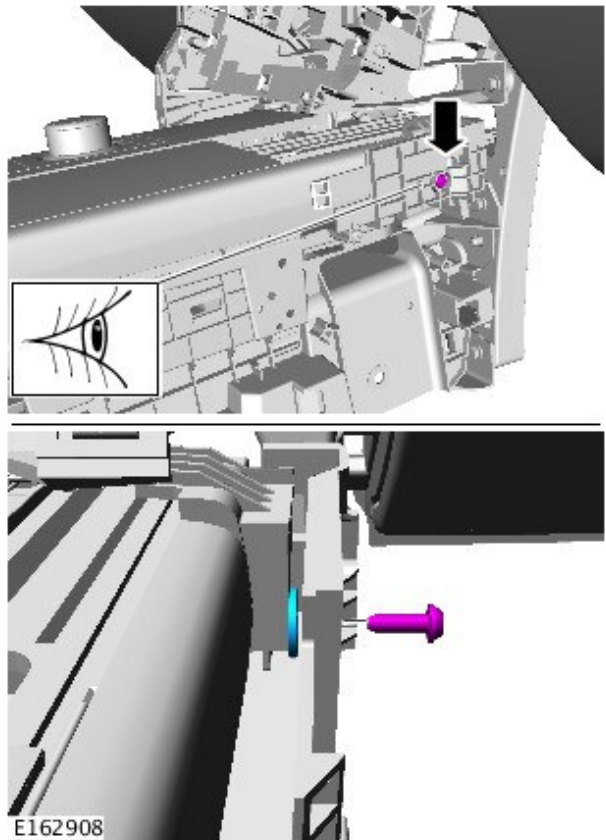
12.  **CAUTION: Note the location of the spring for installation.**

Remove the spring.



13. Install the washer from the Service Kit:

- Remove the Torx screw;
- Install the washer;
- Install the Torx screw; tighten to 3Nm.



All Vehicles

- 14.** To install, reverse the removal procedure.