

SS 468907 TBB Luggage / Chain Mounting brackets Supports

Description: **General Information** This service solution is provided to assist dealers/customers in resolving the issue of providing an improvement mounting frame support for the Luggage compartments. This replaces part numbers 149760, 149759, 135259, 135260. Note: remove the old bracket. This service solution does not imply any special warranty coverage. Standard warranty guidelines and coverage apply. Not field retrofit
Old Service solution Number 3993

Applicable Vehicles

C2 School Bus Production Change ECR 6626 1/4/2011 on unit 1160006

Symptoms

Luggage Box support brackets breaking at the bend, need new parts replacement

Issue

This replaces part numbers 149760, 149759, 135259, 135260 Luggage Box support brackets breaking at the bend

Solution:

To install refer to diagram 160825. Secure Vehicle; remove the top of Luggage to have access to the Body Floor sections. Install the new support accordingly per diagram 160825. Remove the old bracket {Drawings, Pictures included} TBB 160825 review the section depending on length of box (supply / attach info. in e-mail or on ?P? Drive) Parts if Applicable: Part Number Qty. Description TBB 160820 A/R Floor Mount Field Fix TBB 69004123 A/R Washer Flat TBB 27181666 A/R Bolt 7/16 X 1 TBB 61370269 A/R Lock Washers TBB 27271506 A/R hex Nut 7/16

On-Line Service Solution Form

Do not combine C2 and Non-C2 requests.

Superseded by PSB:

Date: 10/06/09

Subject: Luggage / Chain Mounting brackets

Initiator: R Myers

Model/s: (Bold affected model/s) ALL, FS-65, **C2**, HDX, ER-HD, EF, Mino

General Information

This service solution is provided to assist dealers/customers in resolving the issue of providing an improvement mounting frame support for the Luggage compartments. This replaces part numbers 149760, 149759, 135259, 135260. To install refer to diagram 160825. Secure Vehicle; remove the top of Luggage to have access to the Body Floor sections.

Install the new support accordingly per diagram 160825.

NOTE Old bracket removed

This service solution does not imply any special warranty coverage. Standard warranty guidelines and coverage apply.

Reason for Publication / Nature of the Concern

Support frame bracket breaking in the bend

Production Change ECR 6626 1/4/2011 on unit 1160006, Not field retrofit

Solution Recommended: {Drawings, Pictures included}

TBB 160825 review the section depending on length of box

(supply / attach info. in e-mail or on "P" Drive)

Parts if Applicable:

Part Number	Qty.	Description
TBB 160820	A/R	Floor Mount Field Fix
TBB 69004123	A/R	Washer Flat
TBB 27181666	A/R	Bolt 7/16 X 1
TBB 61370269	A/R	Lock Washers
TBB 27271506	A/R	hex Nut 7/16

On-Line Service Solution Form

Do not combine C2 and Non-C2 requests.

Warranty Status: Within provision of TBB warranty or Information only

Warranty Code: ___ SRT: 65-306 Time Allowance: ___ .5 per bracket _____ (i.e. per window, side, door)

Special Instruction:

Quality Code: X09

Status: (Bold the Status)

{Open, Accept, rejected}

Before submitting for publication:

Has Service Solution been checked by team member and Customer Support Manager?

Available Quality (Fault) Codes:

S02 – Order Incorrect – ASIST Related

S04 – Order Incorrect – (Sales Responsible)

V01 – Vendor Part Defective

V03 – Vendor Recall

W09 – Improper Installation

W31 – Electrical

W47 – Paint Application

W53 – Sealing Application

W59 – Missed Option

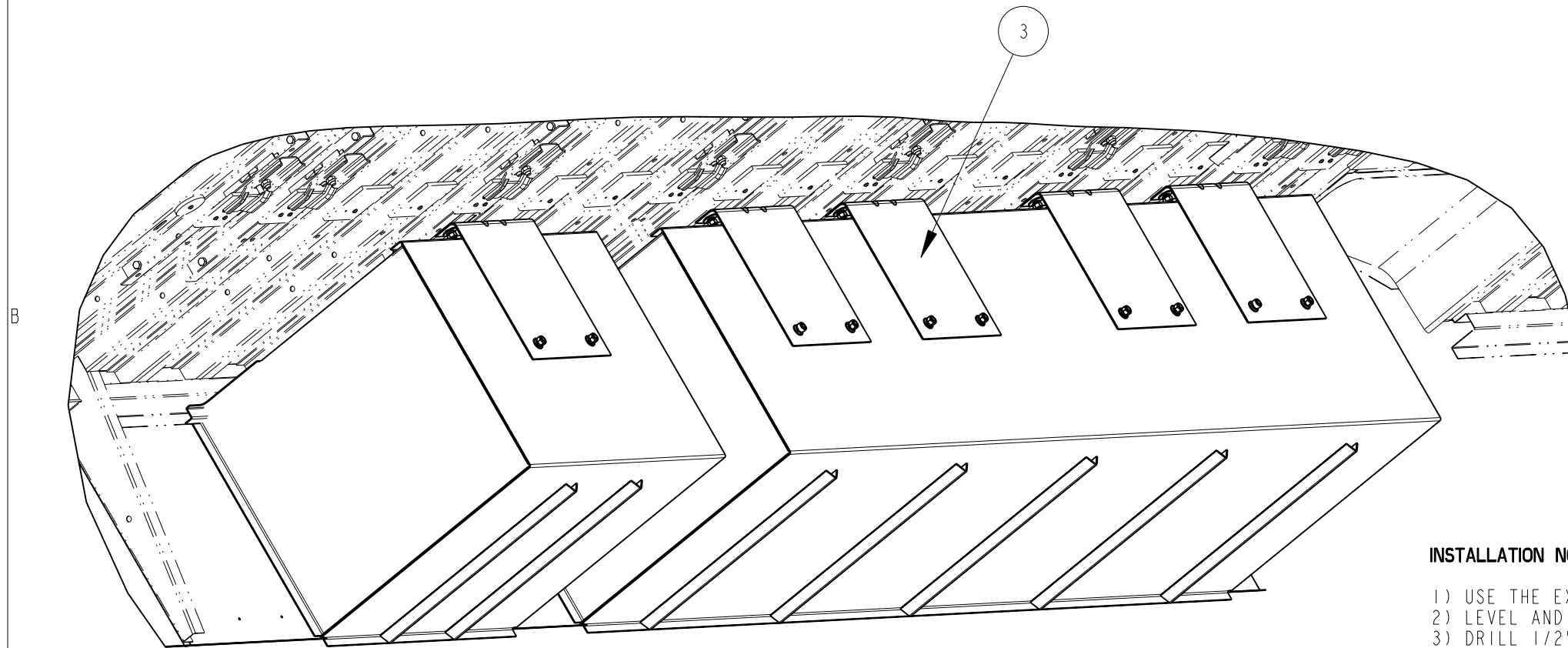
W60 – Incorrect Option

W66 – Corrosion

X-09 – Incorrect Design – Mechanical

X10 – Incorrect Design – Electrical

ITEM	PART NUMBER	DESCRIPTION
1	160821	FIELD FIX, LUGGAGE BOX MOUNT LEVEL 1, FLOOR, 30" BOX
2	160823	FIELD FIX, LUGGAGE BOX MOUNT LEVEL 1, FLOOR, 60" BOX
3	160824	FIELD FIX, LUGGAGE BOX MOUNT LEVEL 1, FLOOR, 100" BOX



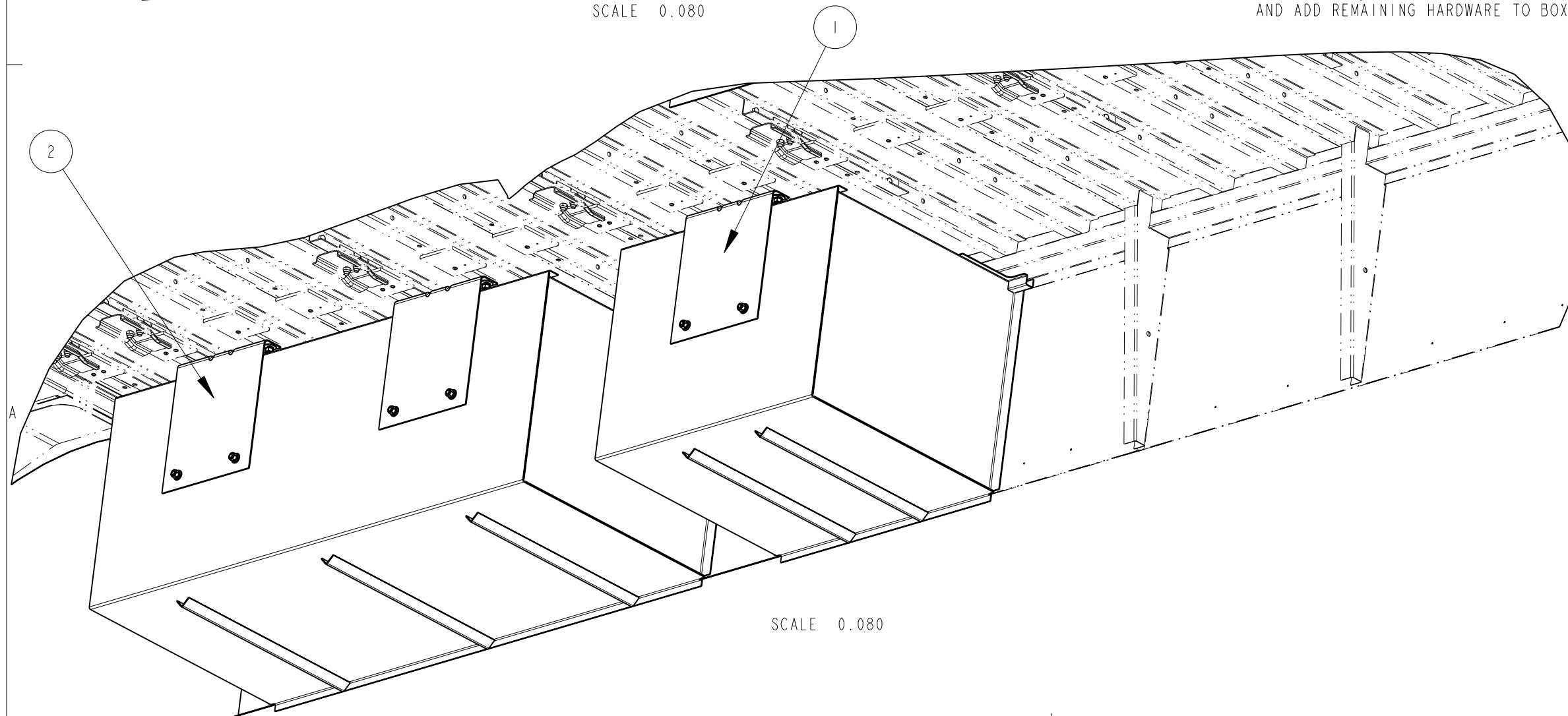
SCALE 0.080

NOTES:

- 1) MATERIAL: N/A
- 2) BLANK: N/A
- 3) CALCULATED WEIGHT: SEE INDIVIDUAL LEVEL 1
- 4) BURRS: N/A
- 5) FINISH: N/A
- 6) COLOR: N/A
- 7) BENDS: N/A
- 8) WELDS: N/A
- 9) REFERENCE: N/A

INSTALLATION NOTE:

- 1) USE THE EXISTING 10" SPACED "Z" RAIL 7/16" HOLE FOR THE TOP (2) MOUNTING SLOT HARDWARE.
- 2) LEVEL AND SUPPORT LUGGAGE BOX FOR DRILLING HOLES IN BACK OF BOX BETWEEN FRAME RAILS.
- 3) DRILL 1/2" Ø HOLE THROUGH BACK OF BOX BELOW FRAME RAIL AND ADD REMAINING HARDWARE TO BOX INSTALLATION MOUNT PER LEVEL 1 BOM.



SCALE 0.080

REV	CHG NO.: ECR_6697	CHG DATE: 7/14/09
A	REV BY: W.ALBRIGHT	REVIEWED BY: D.ANDERSON
REVISION DESCRIPTION		APPROVED BY: J.SCOTT
RELEASED		
FIELD FIX		

Thomas THOMAS BUILT BUSES, INC.
HIGH POINT, NC USA

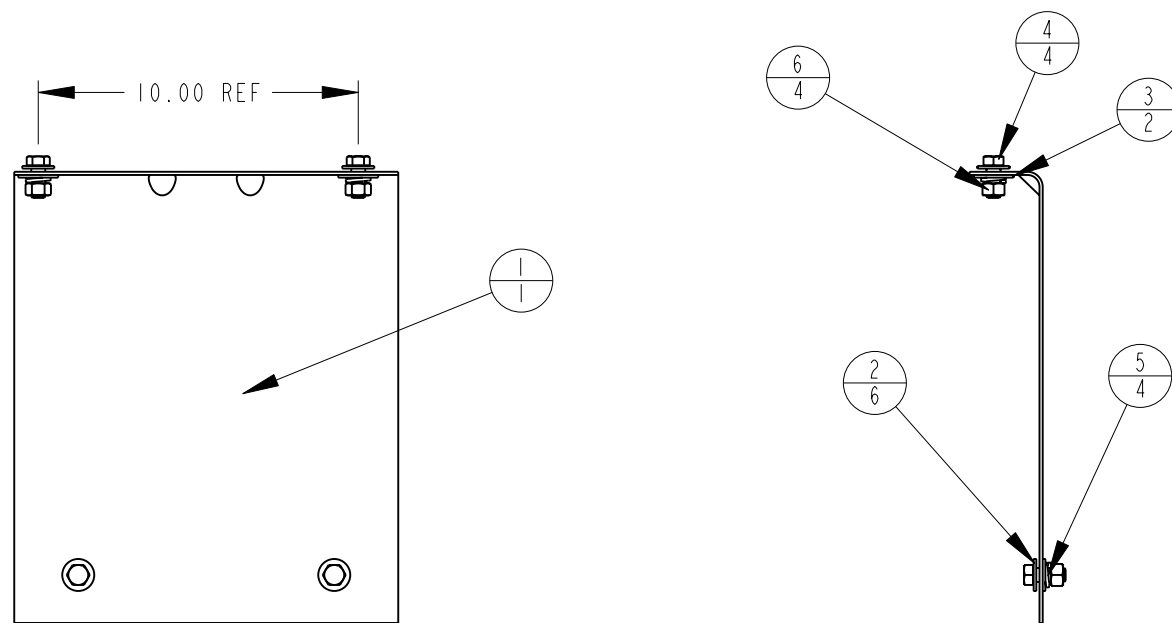
THE INFORMATION CONTAINED HEREIN IS CONFIDENTIAL AND PROPRIETARY TO THOMAS BUILT BUSES, INC. AND SHALL NOT BE COPIED, REPRODUCED, DISCLOSED, PUBLISHED, OR USED FOR ANY PURPOSE WITHOUT THE EXPRESS WRITTEN PERMISSION OF THOMAS BUILT BUSES, INC. COPYRIGHT © THOMAS BUILT BUSES, INC. ALL RIGHTS RESERVED.

TOLERANCE UNLESS OTHERWISE SPECIFIED			THIRD ANGLE PROJECTION				
DECIMAL INCH	METRIC [mm]	ANGULAR					
.XXX ±.015	,XXX ±0,5	±1°					
.XX ±.06	,XX ±1,0						
.X ±.1	,X ±1,5						
ENGR/DES:	W.ALBRIGHT	7/14/09	<table border="1"> <tr> <td>SIZE</td> <td>UNIT OF MEASURE</td> </tr> <tr> <td>B</td> <td>INCH</td> </tr> </table>	SIZE	UNIT OF MEASURE	B	INCH
SIZE	UNIT OF MEASURE						
B	INCH						
REVIEWER:	D.ANDERSON	7/24/09					
APPROVER:	J.SCOTT	7/24/09					

FIELD FIX, LUGGAGE BOX MOUNT LEVEL 1, FLOOR

CAD VERSION	SHEET	160825
0+	1 OF 4	

FIELD FIX, LUGGAGE MOUNT LEVEL 1 160821, FLOOR, 30" BOX WEIGHT: 6.1 LBS			
ITEM	QUANTITY	PART NUMBER	DESCRIPTION
1	1	160820	FIELD FIX, MOUNT, FLOOR
2	6	69004123	WASHER, FLAT, .438 ID, 1.000 OD,
3	2	69004066	WASHER, FLAT, .500 ID, 1.250 OD,
4	4	27181666	BOLT, 7/16 x 1"
5	4	61370269	WASHER, LOCK, HELICAL SPRING REGULAR,
6	4	27271506	NUT, HEX, 7/16-20, ZINC PLATED



LEVEL 1 160821

REV A	CHG NO.: ECR_6697	CHG DATE: 7/14/09
	REV BY: W. ALBRIGHT	REVIEWED BY: D. ANDERSON
REVISION DESCRIPTION		APPROVED BY: J. SCOTT
RELEASED FIELD FIX		

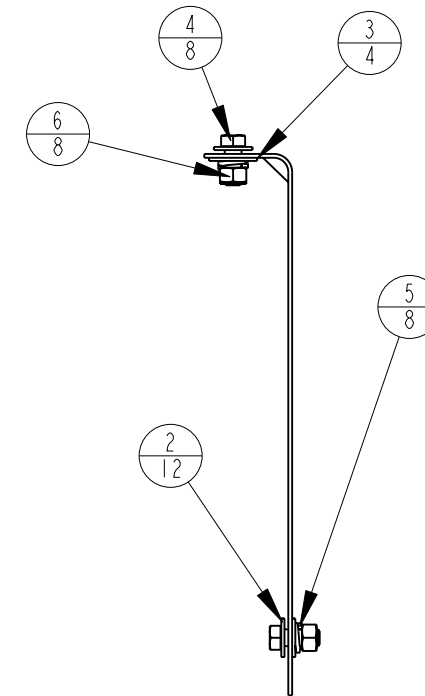
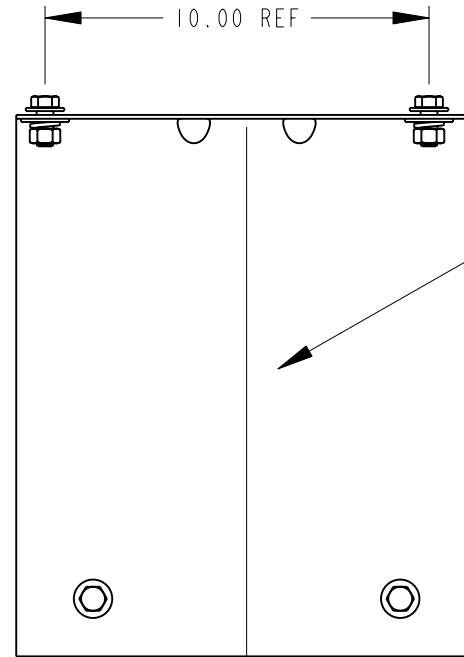
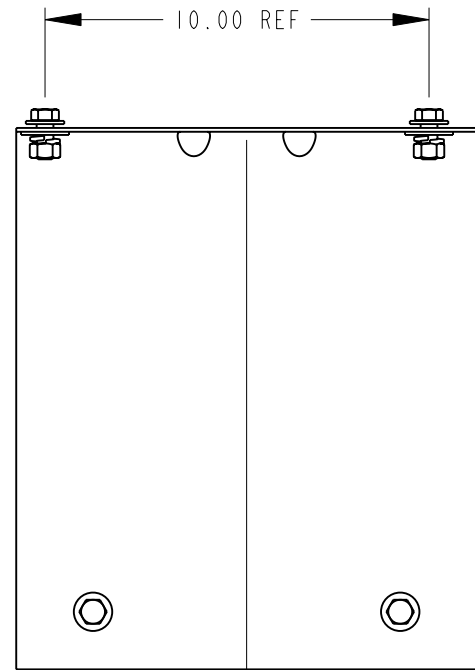
Thomas THOMAS BUILT BUSES, INC.
HIGH POINT, NC USA

THE INFORMATION CONTAINED HEREIN IS CONFIDENTIAL AND PROPRIETARY TO THOMAS BUILT BUSES, INC. AND SHALL NOT BE COPIED, REPRODUCED, DISCLOSED, PUBLISHED, OR USED FOR ANY PURPOSE WITHOUT THE EXPRESS WRITTEN PERMISSION OF THOMAS BUILT BUSES, INC. COPYRIGHT © THOMAS BUILT BUSES, INC. ALL RIGHTS RESERVED.

TOLERANCE UNLESS OTHERWISE SPECIFIED			THIRD ANGLE PROJECTION				
DECIMAL INCH	METRIC [mm]	ANGULAR					
.XXX ±.015	,XXX ±0,5	±1°					
.XX ±.06	,XX ±1,0						
.X ±.1	,X ±1,5						
ENGR/DES:	W. ALBRIGHT	7/14/09	<table border="1"> <tr> <td>SIZE</td> <td>UNIT OF MEASURE</td> </tr> <tr> <td>B</td> <td>INCH</td> </tr> </table>	SIZE	UNIT OF MEASURE	B	INCH
SIZE	UNIT OF MEASURE						
B	INCH						
REVIEWER:	D. ANDERSON	7/24/09					
APPROVER:	J. SCOTT	7/24/09					

**FIELD FIX, LUGGAGE BOX
MOUNT LEVEL 1, FLOOR**

FIELD FIX, LUGGAGE MOUNT LEVEL 1 160823, FLOOR, 60" BOX WEIGHT: 12.2 LBS			
ITEM	QUANTITY	PART NUMBER	DESCRIPTION
1	2	160820	FIELD FIX, MOUNT, FLOOR
2	12	69004123	WASHER, FLAT, .438 ID, 1.000 OD,
3	4	69004066	WASHER, FLAT, .500 ID, 1.250 OD,
4	8	27181666	BOLT, 7/16 x 1"
5	8	61370269	WASHER, LOCK, HELICAL SPRING REGULAR,
6	8	27271506	NUT, HEX, 7/16-20, ZINC PLATED



LEVEL 1 160823

REV	CHG NO.: ECR_6697	CHG DATE: 7/14/09
A	REV BY: W.ALBRIGHT	REVIEWED BY: D.ANDERSON
REVISION DESCRIPTION		APPROVED BY: J.SCOTT
RELEASED		
FIELD FIX		

Thomas THOMAS BUILT BUSES, INC.
HIGH POINT, NC USA

THE INFORMATION CONTAINED HEREIN IS CONFIDENTIAL AND PROPRIETARY TO THOMAS BUILT BUSES, INC. AND SHALL NOT BE COPIED, REPRODUCED, DISCLOSED, PUBLISHED, OR USED FOR ANY PURPOSE WITHOUT THE EXPRESS WRITTEN PERMISSION OF THOMAS BUILT BUSES, INC. COPYRIGHT © THOMAS BUILT BUSES, INC. ALL RIGHTS RESERVED.

TOLERANCE UNLESS OTHERWISE SPECIFIED			THIRD ANGLE PROJECTION
DECIMAL INCH	METRIC [mm]	ANGULAR	
.XXX ±.015	.XXX ±0,5	±1°	
.XX ±.06	.XX ±1,0		
.X ±.1	.X ±1,5		
ENGR/DES:	W.ALBRIGHT	7/14/09	SIZE B UNIT OF MEASURE INCH
REVIEWER:	D.ANDERSON	7/24/09	
APPROVER:	J.SCOTT	7/24/09	

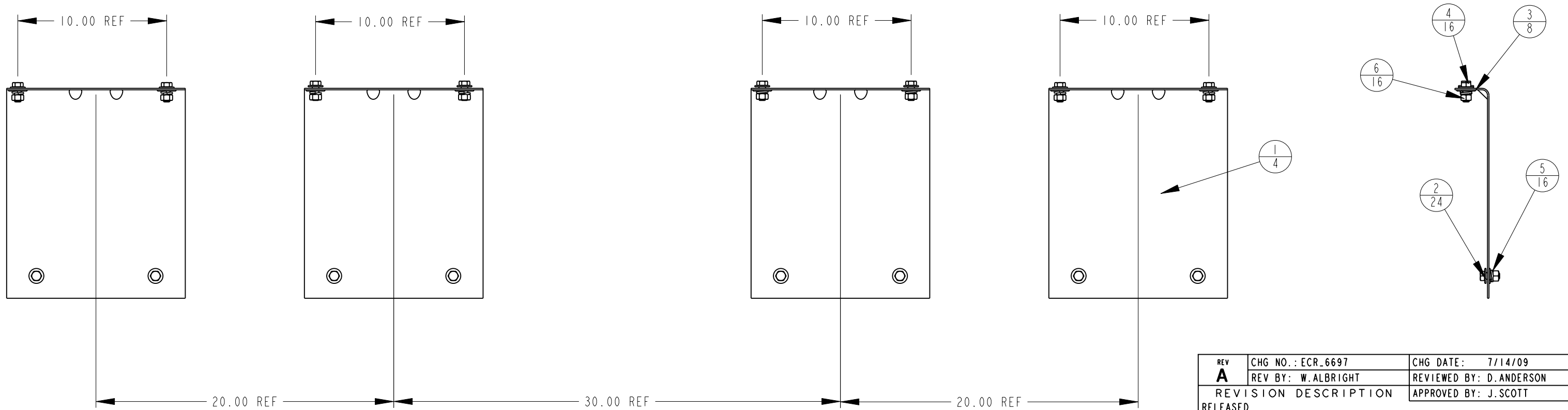
FIELD FIX, LUGGAGE BOX MOUNT LEVEL 1, FLOOR

CAD VERSION 0+	SHEET 3 OF 4	160825
-------------------	-----------------	---------------

FIELD FIX, LUGGAGE MOUNT LEVEL 1 160824, FLOOR, 100" BOX WEIGHT: 24.3 LBS

ITEM	QUANTITY	PART NUMBER	DESCRIPTION
1	4	160820	FIELD FIX, MOUNT, FLOOR
2	24	69004123	WASHER, FLAT, .438 ID, 1.000 OD,
3	8	69004066	WASHER, FLAT, .500 ID, 1.250 OD,
4	16	27181666	BOLT, 7/16 x 1"
5	16	61370269	WASHER, LOCK, HELICAL SPRING REGULAR,
6	16	27271506	NUT, HEX, 7/16-20, ZINC PLATED

B



LEVEL 1 160824

REV	CHG NO.: ECR_6697	CHG DATE: 7/14/09
A	REV BY: W.ALBRIGHT	REVIEWED BY: D.ANDERSON
REVISION DESCRIPTION		APPROVED BY: J.SCOTT
RELEASED		
FIELD FIX		

Thomas THOMAS BUILT BUSES, INC.
HIGH POINT, NC USA

THE INFORMATION CONTAINED HEREIN IS CONFIDENTIAL AND PROPRIETARY TO THOMAS BUILT BUSES, INC. AND SHALL NOT BE COPIED, REPRODUCED, DISCLOSED, PUBLISHED, OR USED FOR ANY PURPOSE WITHOUT THE EXPRESS WRITTEN PERMISSION OF THOMAS BUILT BUSES, INC. COPYRIGHT © THOMAS BUILT BUSES, INC. ALL RIGHTS RESERVED.

TOLERANCE UNLESS OTHERWISE SPECIFIED			THIRD ANGLE PROJECTION
DECIMAL INCH	METRIC [mm]	ANGULAR	
.XXX ±.015	.XXX ±0,5	±1°	
.XX ±.06	.XX ±1,0		
.X ±.1	.X ±1,5		
ENGR/DES:	W.ALBRIGHT	7/14/09	SIZE B UNIT OF MEASURE INCH
REVIEWER:	D.ANDERSON	7/24/09	
APPROVER:	J.SCOTT	7/24/09	

FIELD FIX, LUGGAGE BOX MOUNT LEVEL 1, FLOOR

CAD VERSION 0+	SHEET 4 OF 4	160825
-------------------	-----------------	---------------

A