



SERVICE CAMPAIGN BULLETIN

Reference:

NTB08-001b

Date:

September 5, 2014

VOLUNTARY SERVICE CAMPAIGN 2007-2008 ALTIMA SEDAN AND 2008 ALTIMA COUPE EXHAUST HEAT SHIELD (2.5L)

This bulletin has been amended. Changes have been made to remove instructions for installation of an exhaust stay bracket. Please discard all previous versions of this bulletin.

CAMPAIGN ID #: PB053

APPLIED VEHICLE: 2007 – 2008 Altima Sedan (L32) with 4 cylinder 2.5L engine
2008 Altima Coupe (CL32) with 4 cylinder 2.5L engine

APPLIED VINs: 2007 models: 1N4AL21**7C 125770 to 239232
1N4AL21**7N 449520 to 498843

2008 models: 1N4AL21**8C 110980 to 120300
1N4AL21**8N 400000 to 412735
1N4AL24**8C 100043 to 122181

Use Service COMM to confirm campaign eligibility

INTRODUCTION

Nissan has determined that on some 2007 – 2008 Altima Sedans and 2008 Altima Coupes equipped with the 2.5 liter four cylinder engines, a rattle noise may occur around the exhaust manifold heat shield during start up or at low engine speeds (approximately 1600 RPM). The symptom does not affect the operation of the engine or the vehicle. To address this issue, Nissan is conducting a Voluntary Service Campaign to replace the lower exhaust manifold heat shield.

IDENTIFICATION NUMBER

Nissan has assigned identification number PB053 to this campaign. This number must appear on all communications and documentation of any nature dealing with this campaign.

DEALER RESPONSIBILITY

Nissan recommends that dealers correct each vehicle falling within the range of this campaign that enters the service department. This includes vehicles purchased from private parties or presented by transient (tourist) owners and vehicles in a dealer's inventory.

SERVICE PROCEDURE

Replace the Lower Exhaust Manifold Heat Shield (Lower Cover)

1. Remove the 3 mounting screws.
 - Discard the old screws, do not reuse.

2. Remove the old heat shield / lower cover and install the new one.
 - Use new screws included in the Heat Shield Kit listed in the Parts Information.
 - Torque the new screws to 5.8 N·m (0.59 kg-m, **51 in-lb**).

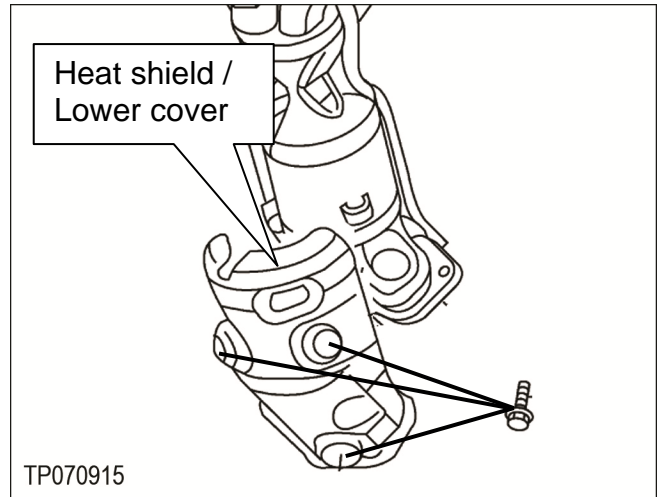


Figure 11

PARTS INFORMATION

DESCRIPTION	PART #	QUANTITY
Heat Shield Kit	16590 – JA20A	1

CLAIMS INFORMATION

Submit a Campaign (CM) line claim using the following claims coding:

CAMPAIGN (“CM”) I.D.	DESCRIPTION	OP CODE	FRT
PB053	RPL Heat Shield	PB0531	0.3 hrs

OWNER'S LETTER (example of a typical owner's letter)

Dear Nissan Altima Owner:

This is in follow-up to our earlier letter concerning a potential rattle noise that could affect your satisfaction with your Altima Sedan. Nissan is committed to your continued satisfaction in your Altima Sedan and now has the parts needed to address this potential issue in your vehicle.

REASON FOR SERVICE ACTION

As we previously explained, a small number of owners of 2007-2008 Nissan Altima Sedans equipped with the four-cylinder 2.5L engine have reported hearing a rattle noise around the exhaust manifold heat shield during start up or at low engine speeds. Again, the symptom does not affect the operation of the engine or the vehicle.

WHAT NISSAN WILL DO

To assure your continued satisfaction in your Altima Sedan, Nissan will install an exhaust stay bracket in your vehicle. If necessary, Nissan will also replace the exhaust manifold heat shield. This will be done **free of charge for parts or labor**.

WHAT YOU SHOULD DO

Please contact your Nissan dealer at your earliest convenience in order to arrange an appointment. This free service should take about an hour to complete, but your Nissan dealer may require your vehicle for a longer period of time based upon their work schedule, or parts availability. **To ensure the least inconvenience for you, it is important that you have an appointment before bringing your vehicle to the dealer for service.**

Please bring this notice with you when you keep your service appointment. Instructions have been sent to your Nissan dealer.

If the dealer fails, or is unable to complete the modifications free of charge, you may contact the National Consumer Affairs Office, Nissan North America, Inc. at P.O. Box 685003 Franklin, TN 37068-5003. The toll free number is 1-800-NISSAN1 (1-800-647-7261).

Thank you for providing us this opportunity to ensure your continuing satisfaction with your Nissan Altima.

NOTE: The Owner's Letter above states that an "exhaust stay bracket" will be installed. The improved lower exhaust manifold heat shield has proven to correct the rattle noise without installation of the exhaust stay bracket.