

**Classification:**

EL13-054

**Reference:**

ITB14-001

**Date:**

January 6, 2014

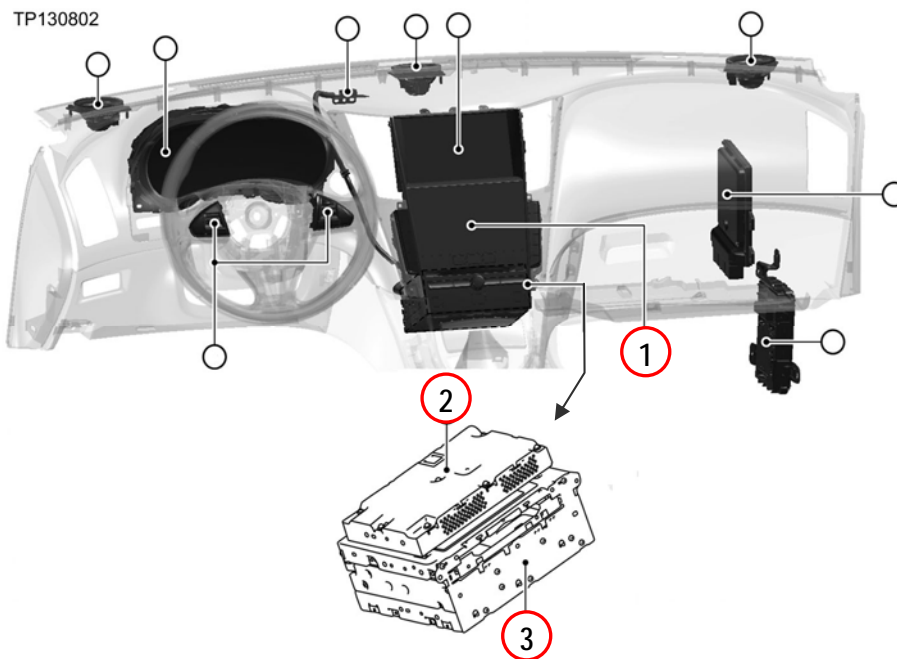
## 2014 Q50; LOWER DISPLAY, NAVI CONTROL UNIT, OR AV CONTROL UNIT REPLACEMENT SERVICE INFORMATION

**APPLIED VEHICLES:** 2014 Q50 and Q50 Hybrid (V37 series)

### SERVICE INFORMATION

If for any reason the lower touch screen display, NAVI control unit, or AV control unit needs to be replaced, refer to the Electronic Service Manual (ESM) for replacement procedure, if needed. After replacement, always refer to (and use as it applies) the "Infiniti InTouch Software Update" General Procedure.

- [Click here](#) to access the General Procedure.



1. Lower touch screen display

2. NAVI control unit

3. AV control unit

Infiniti Bulletins are intended for use by qualified technicians, not 'do-it-yourselfers'. Qualified technicians are properly trained individuals who have the equipment, tools, safety instruction, and know-how to do a job properly and safely. NOTE: If you believe that a described condition may apply to a particular vehicle, DO NOT assume that it does. See your Infiniti dealer to determine if this applies to your vehicle.