

L83X-  
A.09.14  
+  
L83X-  
A.10.14

**To:** Official After Sales Network  
**Subject:** Air duct update.  
**Date:** 11<sup>th</sup>/07/2014  
**Pages:** 10



**Subject**

Air duct update.

**Model**

All Lamborghini Model Aventador Coupè Roadster MY 12,13 and 14 from VIN CLA00091 to VIN ELA02533.

**Warning:** some vehicles included in this VIN range may not be involved, so check carefully on the Lamborghini WEB Portal (at the section named VIN Info) if the cars in your workshop or in your dealer stock are involved before performing any other operation.

**Information to the field**

As a result of continuous product monitoring, Automobili Lamborghini Spa has found that on some vehicles cooler air ducts may get deformed.

**Field solution**

Replace Air ducts with a new type.

**Spare parts**

P/N	Description	Q
OR8340119	Air duct kit: - RH air duct; - LH air duct; - cable tie; - Clamp; - A/C sealing; - m16x11 plug; - sealing washer	1 (1) (1) (8) (3) (1) (1) (1)

**Replaced parts management.**

Store replaced parts properly, and tagged them with bar code for their identification during Area Manager visits.

**Warranty Claim data**

The warranty reimbursement request for this rework action will be managed by the following standard Warranty Claim procedures.

**A. Aventador Coupè MY 2012**

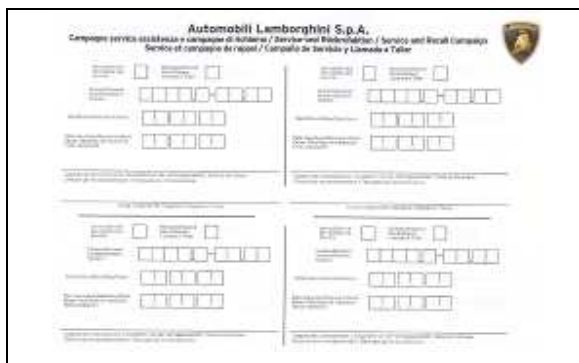
**Campaign Code:** L83X-A.09.14  
**Campaign Des.:** Air duct update.  
**Cost code:** 50  
**Component code:** CCA0914

**Trouble code:** 220  
**Labor code:** CCA0914100  
**Labor Time:** 6,5 h

**B. Aventador Coupe and Roadster MY 2013 and beyond All versions:**

**Campaign Code:** L83X-A.10.14  
**Campaign Des.:** Air duct update.  
**Cost code:** 50  
**Component code:** CCA0914  
**Trouble code:** 220  
**Labor code:** CCA0914100  
**Labor Time:** 6,7 h

Remember to fill all data in the section “Service and Recall Campaign” in the Warranty booklet of the vehicle as shown below.





### Repair instructions:

#### WARNING.

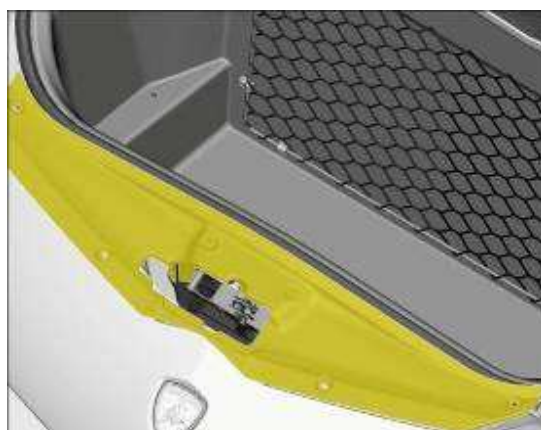


Operations to be performed at cold engine!

1. Secure vehicle to the lift appropriately before jacking in order to work safe from risks.
2. Trunk closing frame disassembly.

Remove 6 screws that fix front hood cover and then the cover itself.

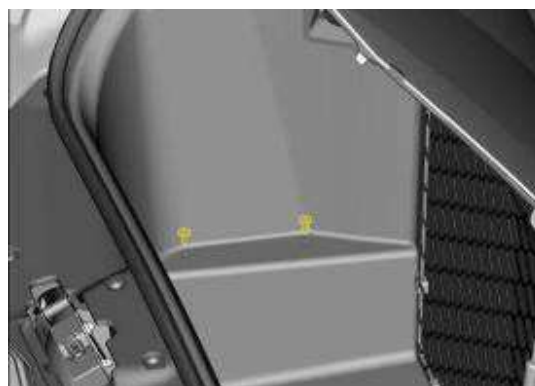
Screw tightening.  
Torque: **2.5 Nm.**



3. Trunk disassembly.

Unscrews 4 screws.

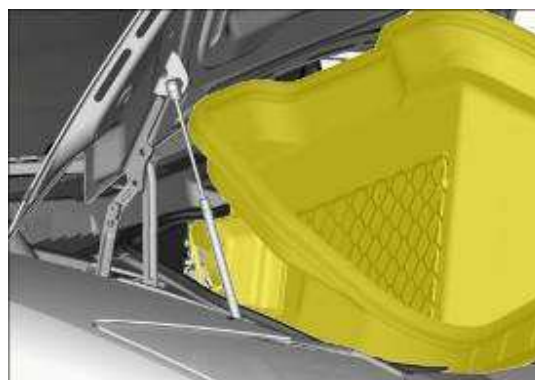
Screw tightening.  
Torque: **8 Nm.**



Lift trunk and disconnect plug from the 12V socket.



Remove trunk to get access to battery.



4. A/C system discharge.

- Connect hoses of A/C charging station to vehicle through HP and LP quick connectors.



- Operate phase of refrigerant fluid savage.



5. Rear tire disassembly.



**Remark.**

In order to avoid rims and brake discs damages use centering tool (p/n. 65395009) as shown in picture. This procedure must be performed on both sides.

Wheel bolt tightening.  
Torque: **160 Nm**

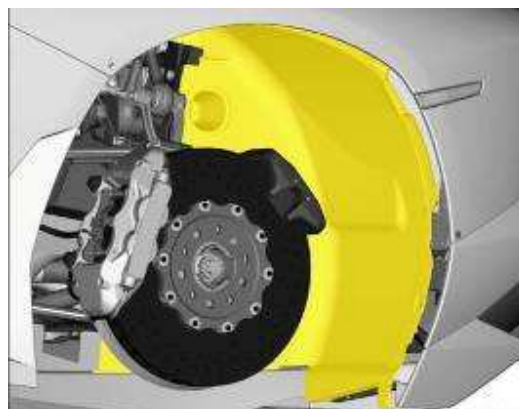


6. Wheelhouse disassembly.

Each wheelhouse panel consist of 2 sections front and rear. It is recommended to disassemble both elements.

Screw tightening.

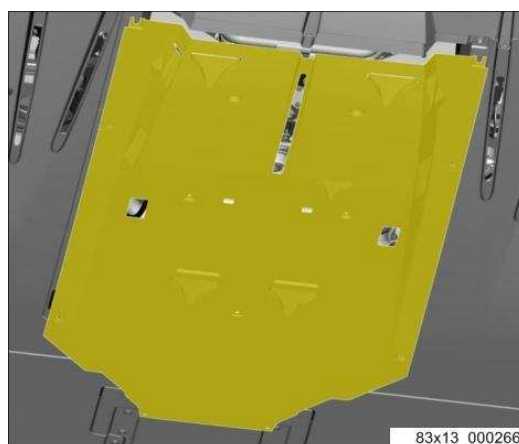
Torque: **9Nm M6 screws,  
5Nm others.**



7. Flat central bottom disassembly.

Unscrew 16 screws so remove the central panel section.

Tightening screw.  
Torque: **9 Nm.**



8. Side flat bottom disassembly.

Remove 11 screws then take side flat bottom panel.

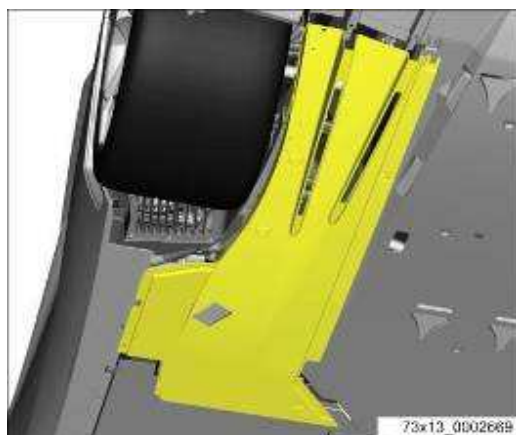


**Remark.**

Perform this operation on both vehicle sides.

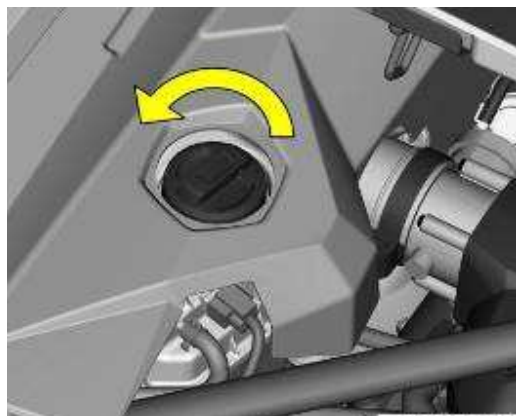
Screw tightening.

Torque: **9 Nm**



9. Cooling system draining.

Twist coolant cap off .



Prepare a suitable container to collect fluids, then remove coolant drain plug.

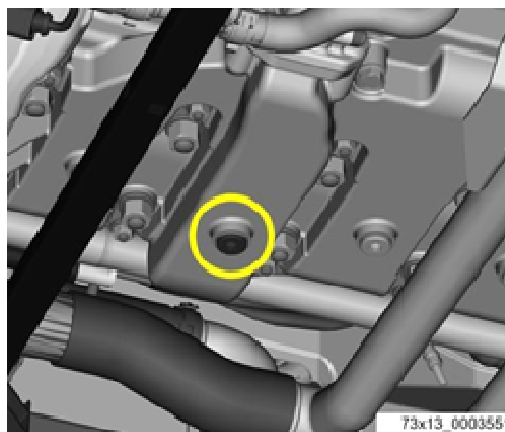


**Remark.**

It is necessary to replace draining plug and sealing while reassembling.

Plug tightening.

Torque: **23Nm.**



**Remark.**

Be extremely careful in avoiding coolant contamination, because it will be re-used.

**Before starting engine up, perform draining and refilling then twist coolant tank cap on.**

**Left side operation.**

10. Disassembly of E-GEAR control unit bracket.

Remove 2 nuts and then take ecu bracket off.

Free control unit from rear mount and lean it on suspension arm.

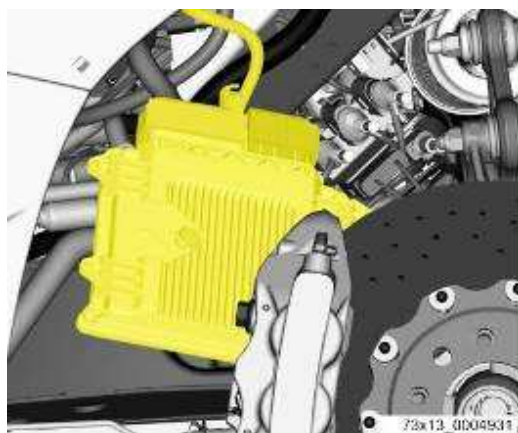
Nut tightening.

Torque: **9Nm.**



**Remark.**

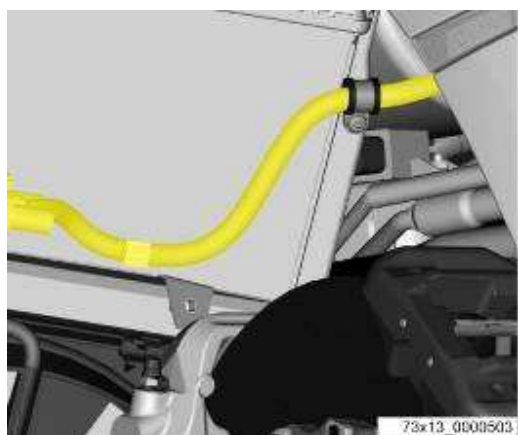
Be extremely careful **to not disconnect** E-gear control unit plug and not damage it.



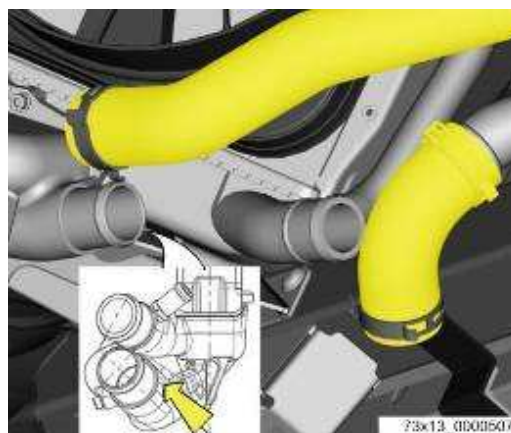
### 11. Disassemble of left cooler assembly.

Disconnect plug of electric radiator fan, remove screw that holds cable clamp and release wiring harness from cooler.

Screw tightening.  
Torque: **9Nm**.



Open 2 cable clamps and extract 2 cooling pipes.



#### Remark.

During reassembly align marks respectively present on radiator and pipe, to install component as it was in origin. **If any marks are present**, use a **marker pen** to sign them **before disassembly**.

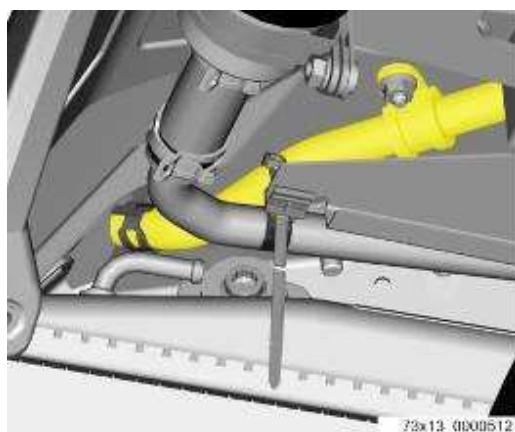
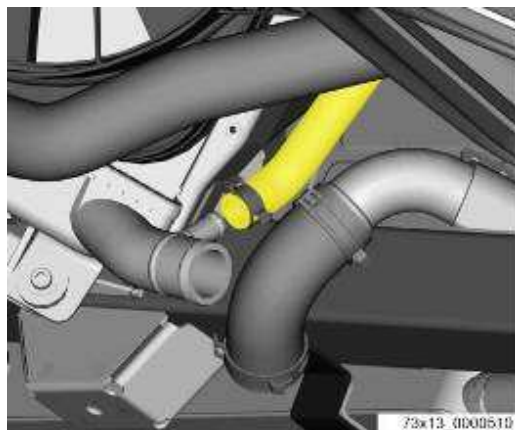


#### Remark.

**Replace** at each reassembly **cable clamps**

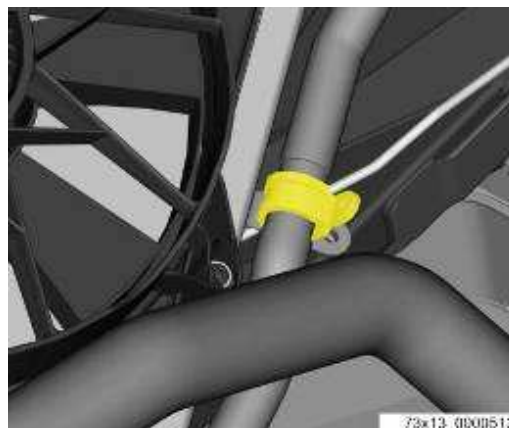


Open 2 cable clamps of coolant lines still connected to cooler and extract two pipes..



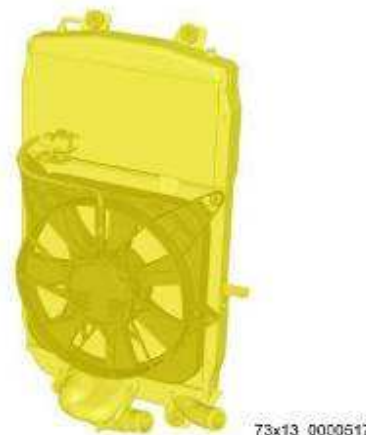
Remove screw that fixes hose clamp and then extract hose from cooler.

Screw tightening.  
Torque: **10Nm**.



Remove 4 screws that hold left cooler group, free it from chassis then extract it from vehicle.

Screw tightening.  
Torque: **20Nm**



Now remove left radiator assembly that includes electric fan, cable clamp bracket, washers , spacers, buffers and condenser.



12. Air duct disassembly.

Remove 4 screws and take component off.

Screw tightening.  
Torque: **9Nm**



Replace air duct.

13. Reassembly components in reverse order.

**Right side**

14. Disassembly of right air duct grille.

Unfasten grill from interlocking joint and remove it from vehicle.

15. Disassembly of engine control unit (LIE) bracket..

Unscrew 2 nuts and remove bracket that holds control unit mount.

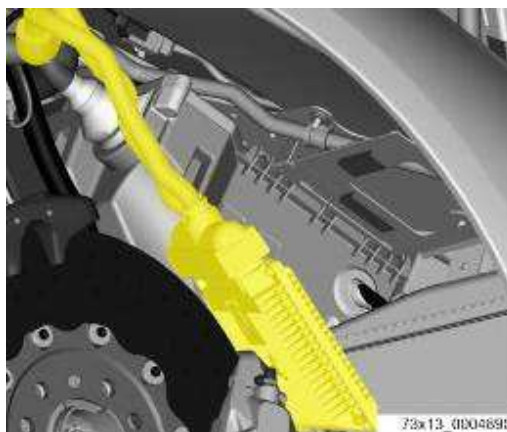
Release ecu from rear mount and lean it on suspension arm..

Nut tightening.  
Torque: **9Nm**.



**Remark.**

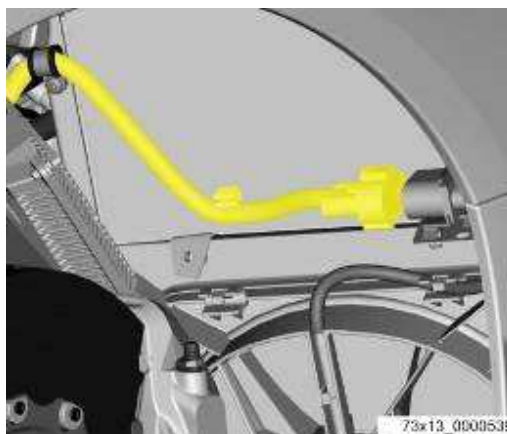
Be extremely careful **to not disconnect** electronic control unit plug and not damage it.



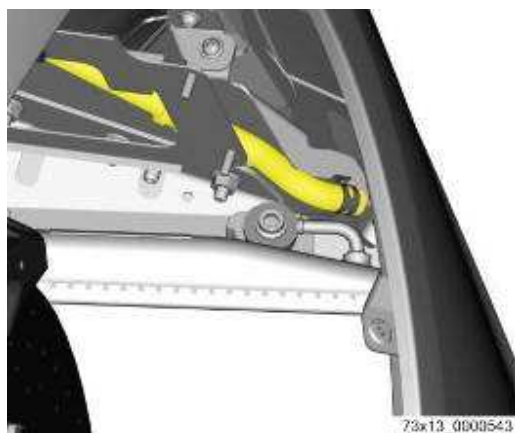
16. Disassembly of right radiator assembly.

Disconnect plug of electric radiator fan, remove screw that holds cable clamp and release wiring harness from cooler.

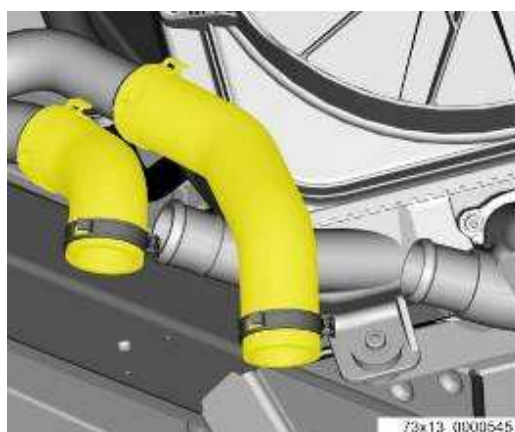
Screw tightening.  
Torque: **9Nm**.



Open clamp that holds coolant line and then extract pipe.



Open 2 cable clamps that holds coolant lines which are still connected then extract 2 pipes.



**Remark.**

During reassembly align marks respectively present on radiator and pipe, to install component as it was in origin. **If any marks are present, use a marker pen to sign them before disassembly.**



**Remark.**

**Replace** at each reassembly **cable clamps**

Remove 4 screws that hold right radiator group, free it from chassis without removing it from car.

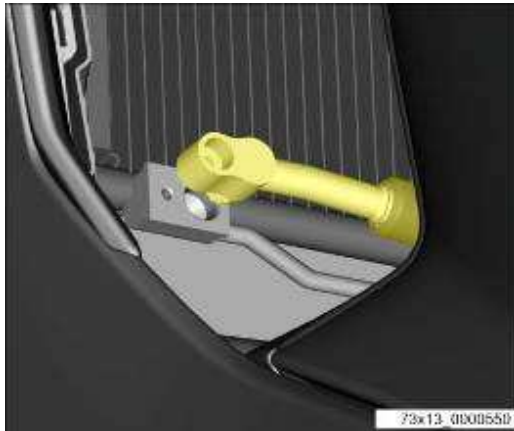
Screw tightening.

Torque: **20Nm**

Getting access to radiator group from air intake on right side, remove 2 screws that secure A/C hose then disconnect it from condenser.

Screw tightening.

Torque: **9Nm**



Now remove right radiator assembly that includes electric fan, cable clamp bracket, washers, spacers, buffers and condenser.



73x13\_0000517

### 17. Air duct disassembly.

To remove easily left duct, release from chassis and remove a part of air conditioning hose.



Disconnect plug of pressure switch.

Release cable clamp that fix it to chassis.

At last remove screw that fix hose and then take it off.

Screw tightening.  
Torque:: **9Nm**



73x13\_0003509

Remove 4 screws that hold duct and separate it from vehicle.

Screw tightening.  
Torque:**9Nm**

L83X-  
A.09.14  
+  
L83X-  
A.10.14

**To:** Official After Sales Network  
**Subject:** Air duct update.  
**Date:** 11<sup>th</sup>/07/2014  
**Pages** 10



Replace air duct.

18. Reassembly parts in reverse order on right side.

Rev.01

The information and procedures published below are strictly confidential and intended exclusively for authorized operators and individuals. All copyrights are the property of Automobili Lamborghini S.p.A based on copyright law. The company reserves the right to make updates and modifications. The reprinting, reproduction, forwarding to unauthorized people and/or to third parties and partial or entire translation thereof are prohibited without written authorization from Automobili Lamborghini S.p.A.

doc. nr: L/V6\_M06 Rev.[02]

10/10