



# Service Bulletin

File in Section: -

Bulletin No.: P11210

Date: April, 2014

## PRELIMINARY INFORMATION

**Subject:** Rattle Noise at Front Floor Center Console

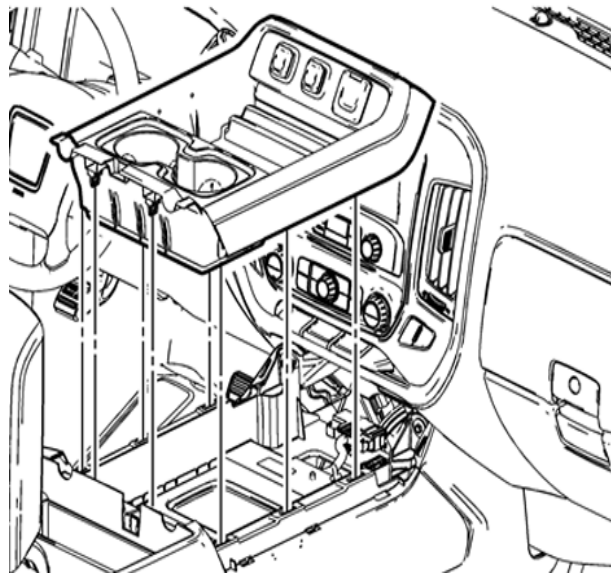
**Models:** 2014 Chevrolet Silverado 1500  
2014 GMC Sierra 1500  
Equipped with Front Floor Center Console (RPO D07)

### Condition/Concern

Some customers may comment on hearing a rattle noise coming from the front floor center console/cup holder area. The cause of this condition may be build variation of the console components, which creates a loose interface between the console trim plate and the floor console assembly.

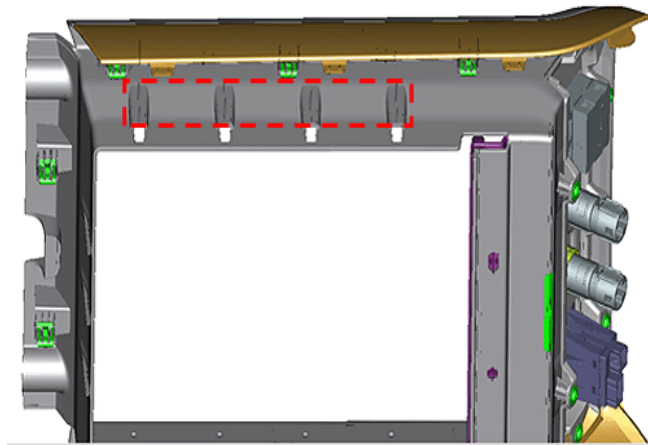
### Recommendation/Instructions

Add felt flocking tape to the front floor console trim plate following the steps and information below:



3792322

1. Remove the floor console cup holder and trim plate. Refer to Front Floor Console Trim Plate Replacement in SI.



3792324

**Note:** The tape should line up to the bottom edge of the standing ribs, and should cover all four ribs.

2. At the location shown in the illustration above, add an approximate 40 mm x 210 mm (1.58 in x 8.3 in) piece of Kent Automotive BRS flocking tape P/N KT13487, or equivalent, to both sides of the trim plate.



3792327

3. Reinstall the floor console trim plate and cup holder. Refer to Front Floor Console Trim Plate Replacement in SI.
4. Verify the rattle condition has been repaired.

## Parts Information

Part Number	Description	Size
KT13487	Kent Automotive BRS Flocking Tape	8 x 10 inch sheet

## Warranty Information

For vehicles repaired under the Bumper-to-Bumper coverage (Canada Base Warranty coverage), use the following labor operation. Reference the Applicable Warranties section of Investigate Vehicle History (IVH) for coverage information.

<b>Labor Operation</b>	<b>Description</b>	<b>Labor Time</b>
1033830	Front Floor Console Trim Plate Replacement	Use Published Labor Operation Time