


Warm Air from HVAC Vents with A/C ON - DTC B1479

Service Category Vehicle Interior

Section Heating/Air Conditioning

Market USA

Lexus Supports
ASE Certification 

Applicability

YEAR(S)	MODEL(S)	ADDITIONAL INFORMATION
2010 – 2011	RX350	

REVISION NOTICE

June 16, 2014 Rev2:

- The Warranty Information, Parts Information, and Required Tools & Equipment sections have been updated.

May 25, 2011 Rev1:

- Applicability has been updated to include 2011 RX 350 vehicles.
- Production Change Information, Parts Information, and Repair Procedure sections have been updated.

Any previous printed versions of this service bulletin should be discarded.

Introduction

Some RX 350 vehicles may exhibit a condition where the HVAC system intermittently blows warm air from the vents with the A/C ON.

When this condition occurs, Diagnostic Trouble Code (DTC) B1479 (Flow Sensor Circuit) may also be stored in the A/C system as either a Current or History DTC. A malfunctioning A/C compressor flow sensor may cause this condition.

Follow the procedure outlined below to determine if this bulletin is applicable and to address this condition.

Warm Air from HVAC Vents with A/C ON - DTC B1479

Production Change Information

This bulletin applies to vehicles produced **BEFORE** the Production Change Effective VINs shown below.

MODEL	PLANT	DRIVETRAIN	PRODUCTION CHANGE EFFECTIVE VIN
RX 350	TMK Line 1	2WD	JTJZK1BA#B2003225
		4WD	JTJBK1BA#B2011582
	TMK Line 2	2WD	JTJZK1BA#B2411364
		4WD	JTJBK1BA#B2433829
	TMMC	2WD	2T2ZK1BA#BC048289
		4WD	2T2BK1BA#BC092600

Warranty Information

OP CODE	DESCRIPTION	TIME	OFFP	T1	T2
883401	R & R Compressor with Magnetic Clutch Assembly	3.0	88320-48170 88320-48220 88410-48100	7A	54

APPLICABLE WARRANTY

- This repair is covered under the Lexus Basic Warranty. This warranty is in effect for 48 months or 50,000 miles, whichever occurs first, from the vehicle's in-service date.
- Warranty application is limited to occurrence of the specified condition described in this bulletin.

Parts Information

PART NUMBER		PART NAME	QTY
PREVIOUS	NEW		
88320-48170 88320-48220	88320-48280	Compressor Assembly, Cooler	1
88410-48100	88410-33180	Clutch Assembly, Magnet	1

Warm Air from HVAC Vents with A/C ON - DTC B1479

Required Tools & Equipment

REQUIRED EQUIPMENT	SUPPLIER	PART NUMBER	QTY
Techstream 2.0*	ADE	TS2UNIT	1
TIS Techstream		TSPKG1	
Techstream Lite		TSLITEDLR01	
R-134a Refrigerant Recovery/Recycling Machine		-	1

* Essential SST.

NOTE

- Only ONE of the Techstream units listed above is required.
- Software version 9.10.037 or later is required.
- Additional Techstream units or refrigerant service equipment may be ordered by calling Approved Dealer Equipment (ADE) at 1-800-368-6787.

SPECIAL SERVICE TOOLS (SST)	PART NUMBER	QTY
Plastic Pry Tool Kit*	00002-06020-02	1

* Essential SST.

NOTE

Additional SSTs may be ordered by calling 1-800-933-8335.

Warm Air from HVAC Vents with A/C ON - DTC B1479

Repair Procedure

1. Using Techstream, check for DTCs in the A/C system.

- If DTC B1479 is stored as a Current or History DTC, go to step 2.
- If DTC B1479 is NOT stored as Current or History, this bulletin does NOT apply. Refer to the problem symptoms table of the Repair Manual.

Refer to the Technical Information System (TIS), applicable model year RX 350 Repair Manual:

- **2010 RX 350:**
Vehicle Interior – Heating/Air Conditioning – “Heating/Air Conditioning: Air Conditioning System: Problem Symptoms Table [\(to 8/2009\)](#) / [\(from 8/2009\)](#)** ”*
- **2011 RX 350:**
Vehicle Interior – Heating/Air Conditioning – “Heating/Air Conditioning: Air Conditioning System: Problem Symptoms Table”

* Japan production vehicles (JTJ)

** North American Produced vehicles (2T)

2. Using Techstream, inspect the flow sensor.

A. Enter the following menus:

Body Electrical / Air Conditioner / Data List

B. Check the “Flow Sensor” voltage.

- (1) With the A/C OFF, and the voltage reading is LESS than 3.7 V, continue to step 3.
- (2) With the A/C ON, and the voltage reading is MORE than 3.7 V, evacuate the A/C system and verify refrigerant charge level.
 - If the system is undercharged, recharge and see if DTC B1479 is able to be duplicated using the Repair Manual diagnostic steps.
 - If the system is fully charged, continue to step 3.

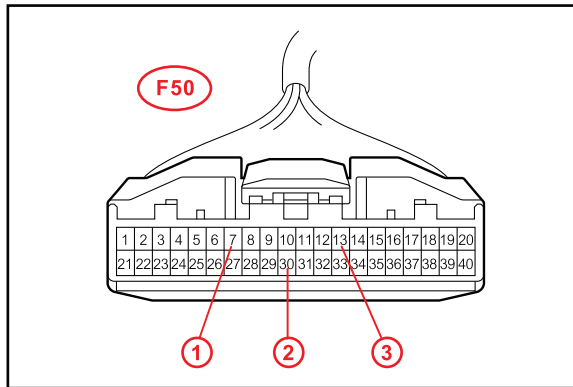
Warm Air from HVAC Vents with A/C ON - DTC B1479

Repair Procedure (Continued)

3. Check the harness and connector (A/C compressor flow sensor – A/C amplifier).

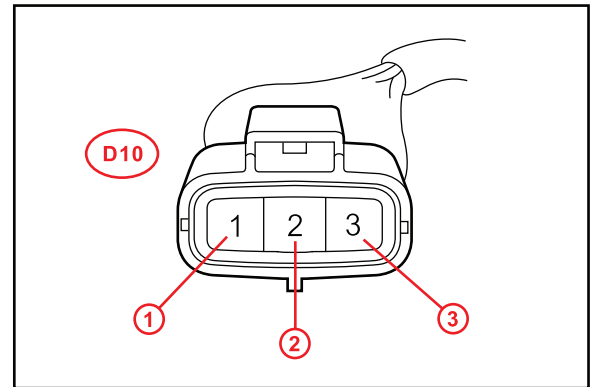
A. Disconnect the A/C amplifier connector.

Figure 1. Front View of Wire Harness Connector (to A/C Amplifier)



1	FLOQ
2	S5-1
3	SG-2

Figure 2. Front View of Wire Harness Connector (to A/C Compressor [A/C Mass Flow Sensor])



1	S5FL
2	SGFL
3	QUFL

B. Measure the resistance according to the value(s) in the table below.

Standard Resistance:

TESTER CONNECTION	CONDITION	SPECIFIED CONDITION
F50-7 (FLOQ) - D10-3 (QUFL)	Always	Below 1 Ω
F50-13 (SG-2) - D10-2 (SGFL)	Always	Below 1 Ω
F50-30 (S5-1) - D10-1 (S5FL)	Always	Below 1 Ω
F50-7 (FLOQ) - Body Ground	Always	10 k Ω or Higher
F50-13 (SG-2) - Body Ground	Always	10 k Ω or Higher
F50-30 (S5-1) - Body Ground	Always	10 k Ω or Higher

- If any of the harness resistance tests fail, this bulletin does NOT apply. Repair or replace the harness and go to step 5.
- If all tests are within specifications, proceed to step 4.

Warm Air from HVAC Vents with A/C ON - DTC B1479

Repair Procedure (Continued)

4. Remove and replace the A/C compressor and clutch assembly.

Refer to TIS, applicable model year RX 350 Repair Manual:

- 2010 RX 350:
*Vehicle Interior – Heating/Air Conditioning – “Heating/Air Conditioning: Compressor: **Removal** ([to 8/2009](#))* / ([from 8/2009](#))** ”*
 - 2010 RX 350:
*Vehicle Interior – Heating/Air Conditioning – “Heating/Air Conditioning: Compressor: **Installation** ([to 8/2009](#))* / ([from 8/2009](#))** ”*
- * Japan production vehicles (JTJ)
** North American Produced vehicles (2T)
- 2011 RX 350:
Vehicle Interior – Heating/Air Conditioning – “Heating/Air Conditioning: Compressor: [Removal](#) / [Installation](#)”

5. Clear all DTCs and confirm the A/C system has returned to proper operation.