



2015 PRE-DELIVERY SERVICE CHECK SHEET

June 2014

BEFORE INSPECTION

- | | OK | Adjust/Repair |
|--|--------------------------|--------------------------|
| 01 Install DCC Fuse (see page 2) | <input type="checkbox"/> | <input type="checkbox"/> |
| 02 Install antenna* | <input type="checkbox"/> | <input type="checkbox"/> |

FUNCTIONAL OPERATION

Apply parking brake and cycle "IG-ON," place gear selector in reverse, turn on lights and rear defogger. Unlock doors; release fuel door.

- | | OK | Adjust/Repair |
|--|--------------------------|--------------------------|
| 01 Check dome, courtesy, and map lights* | <input type="checkbox"/> | <input type="checkbox"/> |
| 02 Check warning/indicator lights, gauges, and horn | <input type="checkbox"/> | <input type="checkbox"/> |
| 03 Check windshield wipers and washers | <input type="checkbox"/> | <input type="checkbox"/> |
| 04 Check headlights, instrument lights, turn signals, emergency flashers, and brake lights | <input type="checkbox"/> | <input type="checkbox"/> |
| 05 Check inside/outside rear view mirror operation/adjustment | <input type="checkbox"/> | <input type="checkbox"/> |
| 06 Check power outlets and cigarette lighter* | <input type="checkbox"/> | <input type="checkbox"/> |
| 07 Check audio system and set clock | <input type="checkbox"/> | <input type="checkbox"/> |
| 08 Install shift-lock override button cover | <input type="checkbox"/> | <input type="checkbox"/> |

WALKAROUND INSPECTION

Start at left front door. Check window and door lock operation (from master power switch, if equipped). Continue around vehicle in a counterclockwise direction checking each door and window operation, child door locks, seat belts, interior condition, all lights, luggage compartment contents. Finish by checking headlight aim and continue into UNDER HOOD checks.

- | | OK | Adjust/Repair |
|---|--------------------------|--------------------------|
| 01 Check door and door lock operation, including each wireless remote control/theft deterrent system* | <input type="checkbox"/> | <input type="checkbox"/> |
| 02 Check window operation | <input type="checkbox"/> | <input type="checkbox"/> |
| 03 Check that engine starts with all keys | <input type="checkbox"/> | <input type="checkbox"/> |
| 04 Check that child safety door locks are in normal (unlocked) position* | <input type="checkbox"/> | <input type="checkbox"/> |
| 05 Check seats and seat belt operation | <input type="checkbox"/> | <input type="checkbox"/> |
| 06 Check rear defogger | <input type="checkbox"/> | <input type="checkbox"/> |
| 07 Check side marker, tail, backup, cargo*, and license plate lights | <input type="checkbox"/> | <input type="checkbox"/> |
| 08 Check luggage compartment light* and trim appearance | <input type="checkbox"/> | <input type="checkbox"/> |
| 09 Adjust spare tire pressure, inspect for damage, and check jack and tool installation | <input type="checkbox"/> | <input type="checkbox"/> |
| 10 Check headlight aim | <input type="checkbox"/> | <input type="checkbox"/> |

UNDER HOOD

- | | OK | Adjust/Repair |
|---|--------------------------|--------------------------|
| 01 Check engine oil and ATM* fluid levels | <input type="checkbox"/> | <input type="checkbox"/> |
| 02 Check brake and clutch* fluid levels | <input type="checkbox"/> | <input type="checkbox"/> |
| 03 Check engine coolant level | <input type="checkbox"/> | <input type="checkbox"/> |
| 04 Check windshield washer fluid level | <input type="checkbox"/> | <input type="checkbox"/> |
| 05 Check battery state-of-charge using Digital Battery System Analyzer (SOC Reading: _____%) | <input type="checkbox"/> | <input type="checkbox"/> |
| 06 Inspect for fuel, oil, coolant, and other fluid leaks | <input type="checkbox"/> | <input type="checkbox"/> |

* Inspect or install when equipped/required.

UNDER VEHICLE (ON HOIST)

- | | OK | Adjust/Repair |
|---|--------------------------|--------------------------|
| 01 Remove disc brake anti-rust covers/anti-corrosion wheel film* | <input type="checkbox"/> | <input type="checkbox"/> |
| 02 Inspect tires for defects/damage | <input type="checkbox"/> | <input type="checkbox"/> |
| 03 Activate and Initialize Tire Pressure Warning System (TPWS) (see page 2) | <input type="checkbox"/> | <input type="checkbox"/> |
| 04 Install wheel covers/caps* | <input type="checkbox"/> | <input type="checkbox"/> |
| 05 Inspect for fuel, oil, coolant, and other fluid leaks | <input type="checkbox"/> | <input type="checkbox"/> |
| 06 Inspect under the vehicle for damage, rust, etc. | <input type="checkbox"/> | <input type="checkbox"/> |
| 07 Visually check bolts and nuts on chassis and powertrain for looseness | <input type="checkbox"/> | <input type="checkbox"/> |
| 08 Install rubber body plugs* | <input type="checkbox"/> | <input type="checkbox"/> |
| 09 Install front wheel opening extension pads (see page 2) | <input type="checkbox"/> | <input type="checkbox"/> |

ROAD TEST

A complete road test helps assure customer satisfaction. Drive vehicle over a variety of road surfaces and driving conditions. Check for unusual noise and driving performance.

Enter Odometer Reading
Reading Before Test: _____ Reading After Test: _____

- | | OK | Adjust/Repair |
|---|--------------------------|--------------------------|
| 01 Check cold engine operation | <input type="checkbox"/> | <input type="checkbox"/> |
| 02 Check engine operation during warm-up | <input type="checkbox"/> | <input type="checkbox"/> |
| 03 Check engine at normal operating temperature | <input type="checkbox"/> | <input type="checkbox"/> |
| 04 Check clutch or automatic transmission operation | <input type="checkbox"/> | <input type="checkbox"/> |
| 05 Check brake and parking brake operation | <input type="checkbox"/> | <input type="checkbox"/> |
| 06 Check steering operation and off-center/vehicle pull/flutter | <input type="checkbox"/> | <input type="checkbox"/> |
| 07 Inspect for abnormal noise and vibration | <input type="checkbox"/> | <input type="checkbox"/> |
| 08 Inspect for squeaks and rattles | <input type="checkbox"/> | <input type="checkbox"/> |
| 09 Check front and rear* heater and A/C operation | <input type="checkbox"/> | <input type="checkbox"/> |
| 10 Check cruise control operation* | <input type="checkbox"/> | <input type="checkbox"/> |

FINAL INSPECTION AND CLEANING

- | | OK | Adjust/Repair |
|--|--------------------------|--------------------------|
| 01 Remove interior protective covers, unnecessary labels, tags, etc. (Remove protective covers just before delivery to customer) | <input type="checkbox"/> | <input type="checkbox"/> |
| 02 Visually inspect all interior parts for installation, damage, fit, dirt, etc. | <input type="checkbox"/> | <input type="checkbox"/> |
| 03 Verify floor mat application and install using retaining clips* | <input type="checkbox"/> | <input type="checkbox"/> |
| 04 Remove Rapgard™ and clear protective bumper film* | <input type="checkbox"/> | <input type="checkbox"/> |
| 05 Wash and clean vehicle | <input type="checkbox"/> | <input type="checkbox"/> |
| 06 Inspect paint finish for scratches, chips, rust, dents, damage, etc. | <input type="checkbox"/> | <input type="checkbox"/> |
| 07 Inspect exterior body parts for proper installation, damage, rust, etc. | <input type="checkbox"/> | <input type="checkbox"/> |
| 08 Place oil change sticker on inside of windshield, top left corner | <input type="checkbox"/> | <input type="checkbox"/> |
| 09 Install front license plate* (see page 2) | <input type="checkbox"/> | <input type="checkbox"/> |
| 10 Place Owner's Guide and first aid kit portfolio* in glove box | <input type="checkbox"/> | <input type="checkbox"/> |
| 11 Perform Techstream Health Check | <input type="checkbox"/> | <input type="checkbox"/> |

Completion and retention of this form is required to comply with Toyota's Warranty Policy.

TECHNICIAN'S SIGNATURE _____

SERVICE MANAGER'S SIGNATURE _____

NAME (PLEASE PRINT) _____

NAME (PLEASE PRINT) _____

Date

Dealer Name

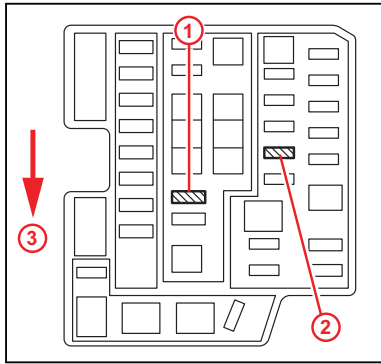
Dealer Code

Vehicle Identification Number (Sticker)

We hereby certify that all items on this form have been checked and corrected for proper operation as required.

DCC FUSE INSTALLATION

To minimize battery discharge the DCC fuse (30A) has been removed and is stored in the engine compartment relay block. Install the DCC fuse into the location shown.

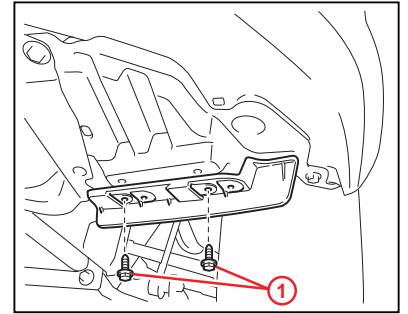


- 1 Storage Location
- 2 Installation Location
- 3 Front

FRONT WHEEL OPENING EXTENSION PAD INSTALLATION

The front wheel opening extension pad set (right and left) are loaded in the luggage compartment at the assembly plant to avoid damage in transit. Use this procedure for both right and left sides.

1. Hook the retainers of the front wheel opening extension pad through the installation holes on the fender liner.
2. Install the 2 self-tapping screws.



- 1 Self-tapping Screws

TPWS ACTIVATION AND INITIALIZATION

Activation Procedure

1. Connect Techstream to DLC3.
2. Cycle the IG switch to the "IG-ON" position and check that the Low Tire Pressure Warning Light blinks for 1 minute and then remains illuminated.
3. Press or remove the valve core to reduce the tire inflation pressure rapidly by 6 psi (0.4 kgf/cm², 40 kPA), or more, within 30 seconds.
4. Using Techstream, check for DTCs (C2111-C2114). If no DTCs are stored, continue to step 5. If these DTCs are stored, repeat step 3.
5. Adjust all tires to the standard tire inflation pressure, as indicated on the Tire and Loading Information label inside the driver's door jamb.
6. Check the tire pressure values of all the tires using Techstream. **TPWS ECU / DATA LIST / TIREFPRESS 1-4**

Initialization Procedure

Refer to the Repair Manual for the [Initialization procedure](#).

NOTE

- If DTCs C2111-C2114 are present after repeating step 3, lift the vehicle and rotate each tire so that the tire pressure warning valve/sensor is at the top of the wheel well. Then repeat step 3.
- To adjust the tire pressure correctly when the outside temperature is significantly colder than shop temperature, perform a Health Check using Techstream and select the "Compensation Tire Pressure" checkbox. Compensation pressures will be displayed on the Health Check results screen. Adjust the tire pressure when the tires are cold.

FRONT LICENSE PLATE INSTALLATION*

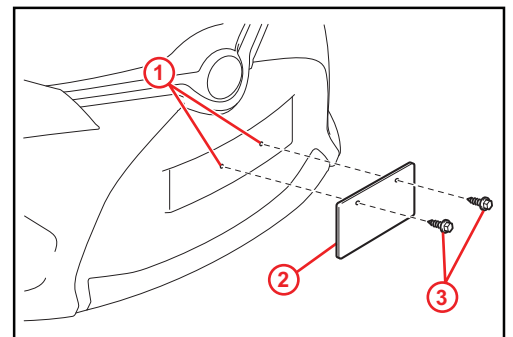
For states that require a front license plate, please install per this procedure.

Front License Plate Installation Procedure

1. Align the installation holes of the front license plate with the dimples on the radiator lower grille.
2. Install 2 self-tapping screws through the license plate and into the front bumper at the dimples.

NOTICE

- Do NOT pre-drill holes into the bumper.
- Do NOT overtighten the self-tapping screws.



- 1 Dimples
- 2 License Plate

- 3 Self-tapping Screws