

Initial Calibration of Compass During PDS

Service Category General

Section Pre-Delivery Service

Market USA

Lexus Supports ASE Certification 

Applicability

YEAR(S)	MODEL(S)	ADDITIONAL INFORMATION
2015	IS250, IS350	

Introduction

2015 model year IS 250/350 vehicles are equipped with a compass in the rear view mirror. Use the following procedure to complete initial calibration of the compass during Pre-Delivery Service (PDS).

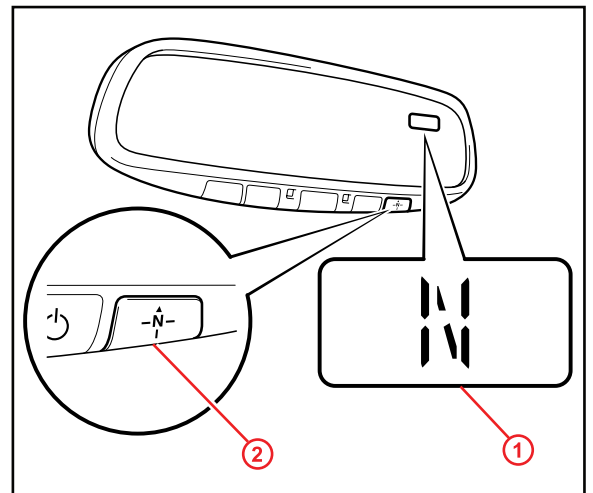
Warranty Information

OP CODE	DESCRIPTION	TIME	OFF	T1	T2
N/A	Not Applicable to Warranty	–	–	–	–

Compass Calibration Procedure

1. Cycle the ignition switch to the “IG-ON” position and check that the direction (N, NE, E, SE, S, SW, W, NW) appears on the compass display.

Figure 1.



1	Compass Display
2	“N” Switch

Initial Calibration of Compass During PDS

Compass Calibration Procedure (Continued)

2. Push and hold the “N” switch for approximately 6 seconds until the zone number (1 – 15) appears on the display. Then push the switch to select the number of the zone where the vehicle is located.

NOTE
Pushing the “N” switch turns the compass display ON or OFF.

See the map for zone reference.

Figure 2.

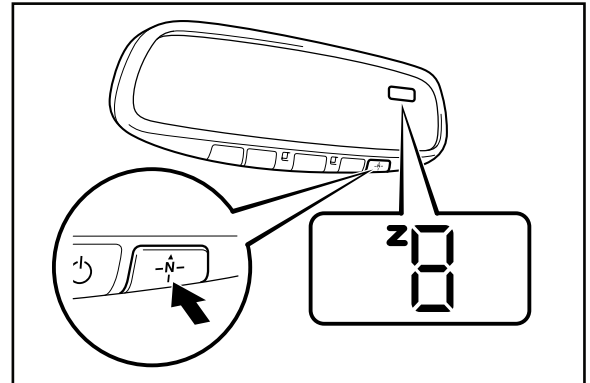
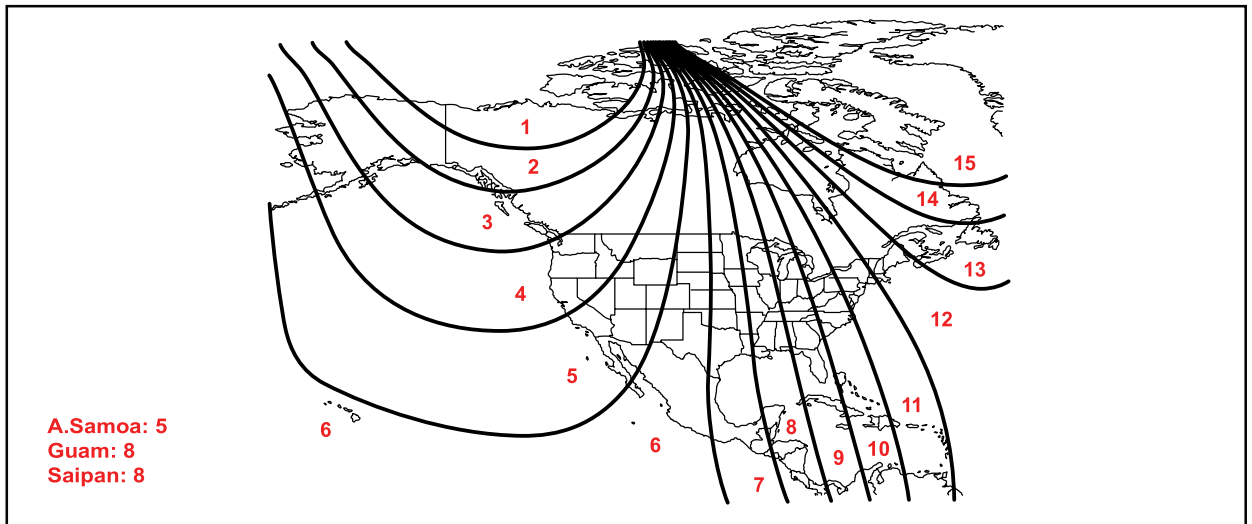
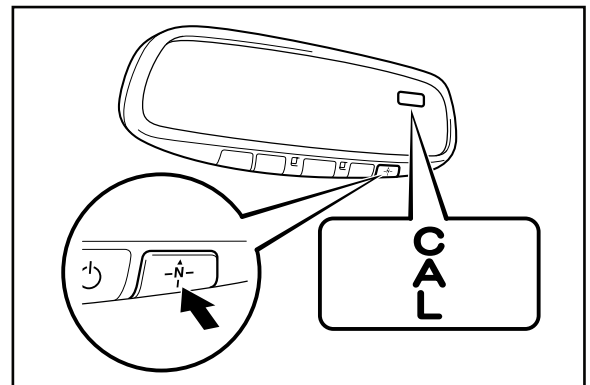


Figure 3.



3. Start the engine and push and hold the “N” switch for about 12 seconds until “CAL” appears on the display.

Figure 4.



Initial Calibration of Compass During PDS

Compass Calibration Procedure (Continued)

4. Drive the vehicle slowly at 5 mph (8 km/h), or less, in a circle until the direction is displayed. If there is NOT enough space to drive in a circle, drive around the block until the direction is displayed.

Once the direction is shown on the display, calibration is complete.

NOTE

- Do NOT perform calibration of the compass in a place where the Earth's magnetic field is subject to interference (underground parking, under a steel tower, between buildings, roof parking, near a railroad crossing, near a large vehicle, etc.)
- During calibration, do NOT operate electric systems (sliding roof, power windows, etc.) as they may interfere with the calibration.

Figure 5.

