

Tire Pressure Warning System Initialization

Service Category General

Section Pre-Delivery Service

Market USA

Lexus Supports
ASE Certification 

Applicability

YEAR(S)	MODEL(S)	ADDITIONAL INFORMATION
2015	IS250, IS350	

Introduction

2015 model year IS 250 and IS 350 vehicles are equipped with a direct-type Tire Pressure Warning System (TPWS). Each tire (except the spare tire) has a tire pressure warning valve/transmitter and the measured tire pressure data is sent to the tire pressure warning antenna by electric wave and then sent to the receiver.

During Pre-Delivery Service (PDS), the TPWS must be initialized according to the procedure in this bulletin.

Required Tools & Equipment

REQUIRED EQUIPMENT	SUPPLIER	PART NUMBER	QTY
Techstream 2.0*	ADE	TS2UNIT	1
TIS Techstream		TSPKG1	
Techstream Lite		TSLITEDLR01	

* Essential SST.

NOTE

- Only ONE of the Techstream units listed above is required.
- Software version 9.10.037 or later is required.
- Additional Techstream units may be ordered by calling Approved Dealer Equipment (ADE) at 1-800-368-6787.

Warranty Information

OP CODE	DESCRIPTION	TIME	ONP	T1	T2
N/A	Not Applicable to Warranty	—	—	—	—

Tire Pressure Warning System Initialization

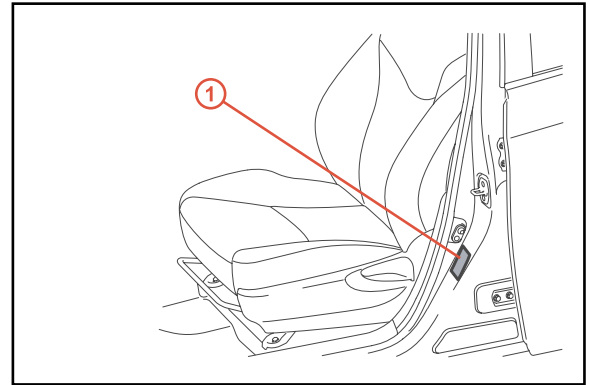
Initialization Procedure

1. Adjust all tires (except the spare tire) to the standard tire inflation pressure, as indicated on the Tire and Loading Information label located inside the vehicle.

NOTE

- To adjust tire pressure correctly when outside temperature is significantly colder than shop temperature, perform a Health Check using Techstream and select the “Compensation Tire Pressure” checkbox. Compensation pressures will be displayed on the Health Check results screen.
- Adjust the tire pressure when the tires are cold.

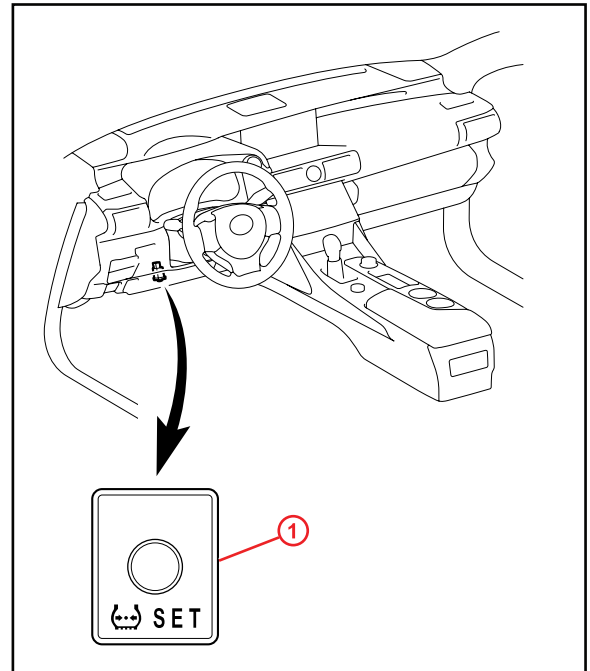
Figure 1.



1 Tire and Loading Information Label

2. Cycle the ignition switch to the “IG-ON” position and press and hold the Tire Pressure Warning Reset Switch for at least 3 seconds so that the Tire Pressure Warning Light blinks 3 times.

Figure 2.



1 Tire Pressure Warning Reset Switch

Tire Pressure Warning System Initialization

Initialization Procedure (Continued)

3. Cycle the ignition to "OFF" and then to "IG-ON".

NOTE

It is necessary for the ignition to be in the "IG-ON" mode AT LEAST 5 minutes for the initialization to complete correctly.

4. Check the tire pressure values of all the tires using Techstream.
Chassis / Tire Pressure Monitor / Data List

NOTE

- The order in which the data is received is random.
- It can take 2 – 3 minutes for the tire pressure values to be displayed on the Techstream Data List.
- If the signals from all the wheels are received and the Data List "ID Tire Inflation Pressure" displays, initialization is completed.
- If initialization has not been completed successfully, DTC C2177/77 is stored after a vehicle speed of at least 5 mph (8 km/h) continues for 20 minutes or more. Please refer to the Repair Manual for further diagnosis.

5. Remove and discard ID number labels if attached to the wheels.