


Front Wheel Opening Extension Pad Installation During PDS

Service Category General

Section Pre-Delivery Service

Market USA

Lexus Supports
ASE Certification 

Applicability

YEAR(S)	MODEL(S)	ADDITIONAL INFORMATION
2015	IS250, IS350	

Introduction

The front wheel opening extension pad set (right and left front wheel opening extension pads, 6 self-tapping screws) is loaded in the luggage compartment at the assembly plant to avoid damage in transit.

Install the front wheel opening extension pads on the vehicle during Pre-Delivery Service (PDS).

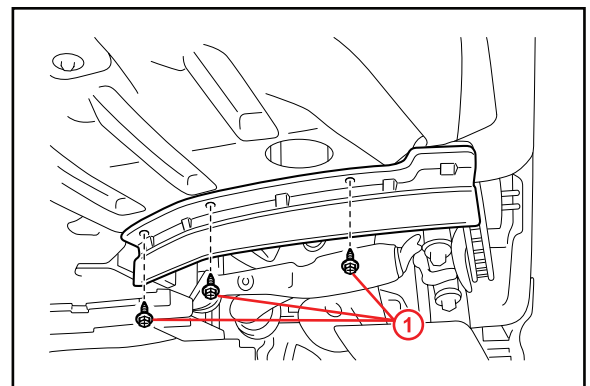
Warranty Information

OP CODE	DESCRIPTION	TIME	ONP	T1	T2
N/A	Not Applicable to Warranty	–	–	–	–

Installation Procedure

1. Install the right and left front wheel opening extension pads with the 6 self-tapping screws.

Figure 1.



1 Self-tapping Screw