

# Rear Brake Strut Improvement

**Service Category** Brake

**Section** Brake (rear)

**Market** USA

Toyota Supports  
 ASE Certification 

## Applicability

YEAR(S)	MODEL(S)	ADDITIONAL INFORMATION
2009 – 2013	Corolla	WMI(s): JTD
2009 – 2011	Corolla	WMI(s): 2T1, 5YF

### REVISION NOTICE

**July 16, 2014 Rev2:**

- Required Tools & Equipment and Repair Procedure sections have been updated.

**August 30, 2013 Rev1:**

- Applicability has been updated to include 2009 – 2011 model year North American produced Corolla vehicles.
- Repair Procedure has been updated.

Any previous printed versions of this bulletin should be discarded.

### SUPERSESION NOTICE

The information contained in this bulletin supersedes SB No. T-SB-0189-12.

- Applicability has been updated to include 2009 – 2013 model year Japan built Corolla vehicles.
- Repair Procedure has been updated.

Service Bulletin No. T-SB-0189-12 is Obsolete and any printed versions should be discarded. Be sure to review the entire content of this bulletin before proceeding.

## Introduction

Some 2009 – 2013 Corolla vehicles may exhibit a condition where, over time, there is a slight, but perceptible increase in brake pedal travel. This condition has no effect on braking performance. Improved rear drum brake adjusters have been developed to improve this condition.

## Rear Brake Strut Improvement

### Production Change Information

This bulletin applies to:

- 2009 – 2013 model year Japan built Corolla vehicles produced **BEFORE** the Production Change Effective VIN shown below.

MODEL	PLANT	PRODUCTION CHANGE EFFECTIVE VIN
Corolla	All CBU	JTDBU4EE#DJ109475

- 2009 – 2011 model year North American built Corolla vehicles produced **BEFORE** the Production Change Effective VINs shown below.

MODEL	PLANT	PRODUCTION CHANGE EFFECTIVE VIN
Corolla	TMMC	2TIBU4EE#BC707539
	TMMMS	5YFBU4EE#BP001039

### Warranty Information

OP CODE	DESCRIPTION	TIME	OFF	T1	T2
BR1204	R & R Drum Brake Strut Kit	1.4	04943-02070 04943-52030	4B	41

#### APPLICABLE WARRANTY

- This repair is covered under the Toyota Comprehensive Warranty. This warranty is in effect for 36 months or 36,000 miles, whichever occurs first, from the vehicle's in-service date.
- Warranty application is limited to occurrence of the specified condition described in this bulletin.

### Parts Information

PART NUMBER		PART NAME	QTY
PREVIOUS	NEW		
04943-02070	04943-02080	Strut Kit, Rear Drum Brake	1
04943-52030	04943-12040		1

## Rear Brake Strut Improvement

---

### Required Tools & Equipment

SPECIAL SERVICE TOOLS (SST)	PART NUMBER	QTY
Shoe Hold Down Spring Driver	<a href="#">09718-00010</a>	1
Spring Tension Tool	<a href="#">09921-00010</a>	1
Plastic Pry Tool Set*	<a href="#">00002-06020-01</a>	1

REQUIRED MATERIAL	QUANTITY
High Temperature Grease	As Needed

\* Essential SST.

**NOTE**

Additional SSTs may be ordered by calling 1-800-933-8335.

### Repair Procedure

1. Test drive the vehicle and confirm the condition.
2. Remove the rear wheels.
3. Remove the rear brake drums.
  - A. Disengage the parking brake.
  - B. Remove the rear drum.

**NOTE**

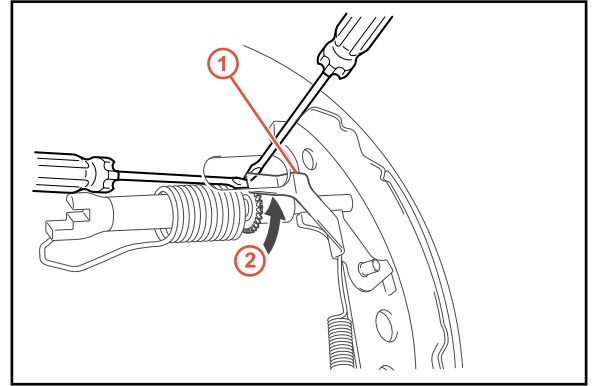
If the rear drum cannot be removed easily, complete steps 4 and 5, otherwise, continue to step 6.

## Rear Brake Strut Improvement

### Repair Procedure (Continued)

4. Remove the shoe adjusting hole plug and insert a screwdriver through the hole into the backing plate, and hold the automatic adjust lever away from the adjuster.

**Figure 1.**



<b>1</b>	<b>Automatic Adjust Lever</b>
<b>2</b>	<b>Compress</b>

5. Using another screwdriver, compress the brake shoe by turning the adjusting bolt.
6. Remove the brake shoe (forward leading).

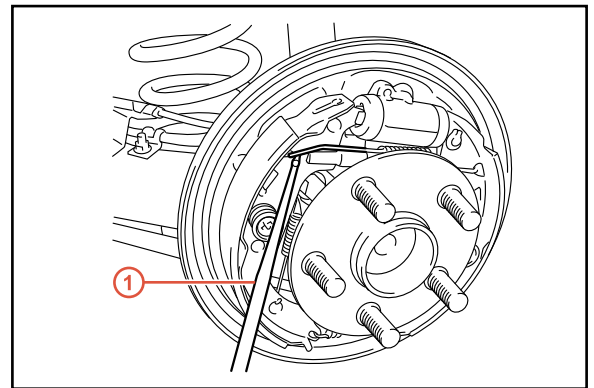
- A. Using the Spring Tension Tool, separate the shoe return spring from the rear brake shoe.

**SST: 09921-00010**

**NOTICE**

**Be cautious NOT to damage the wheel cylinder boot with the Spring Tension Tool or the return spring during this process.**

**Figure 2.**



<b>1</b>	<b>Spring Tension Tool</b>
----------	----------------------------

## Rear Brake Strut Improvement

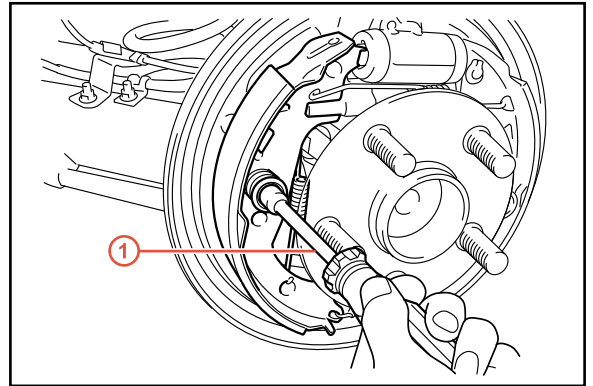
---

### Repair Procedure (Continued)

- B. Using the Shoe Hold Down Spring Driver, remove the 2 shoe hold down spring cups, shoe hold down spring, pin, and the rear brake shoe.

**SST: 09718-00010**

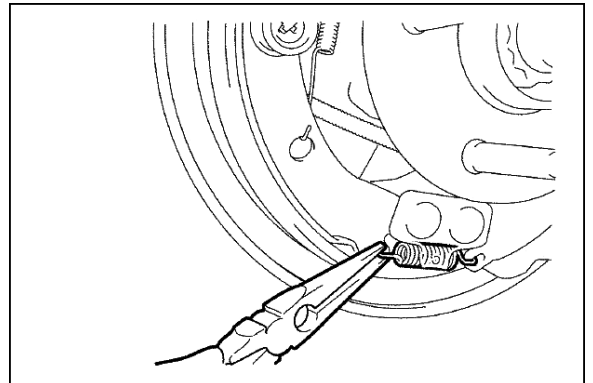
**Figure 3.**



<b>1</b>	<b>Shoe Hold Down Spring Driver</b>
----------	-------------------------------------

- C. Remove the tension spring to the front brake shoe and rear brake shoe.

**Figure 4.**



## Rear Brake Strut Improvement

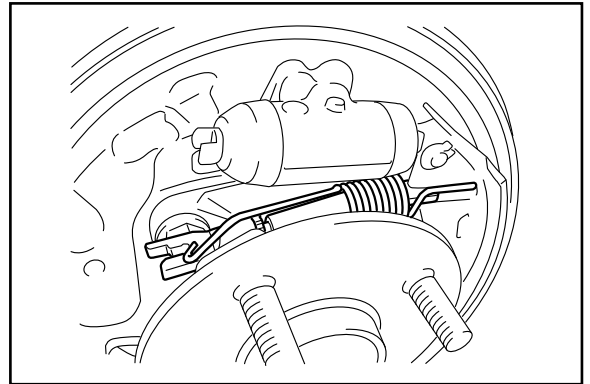
---

### Repair Procedure (Continued)

7. Remove the rear brake strut set.

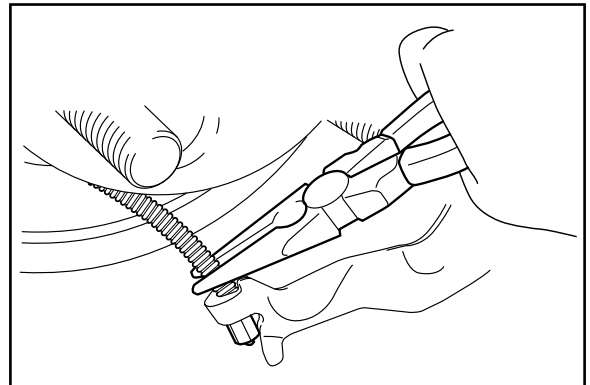
- A. Remove the shoe return spring from the rear brake shoe and remove the rear brake shoe strut set.

**Figure 5.**



- B. Using needle-nose pliers, separate the parking brake cable.

**Figure 6.**



## Rear Brake Strut Improvement

---

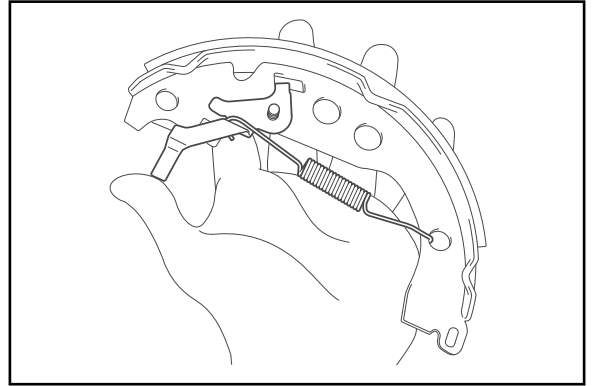
### Repair Procedure (Continued)

8. Remove the forward leading rear brake shoes from the backing plate.

**NOTE**

Since the old brake shoes are being reused, there is no need to remove the parking brake lever from the brake shoe.

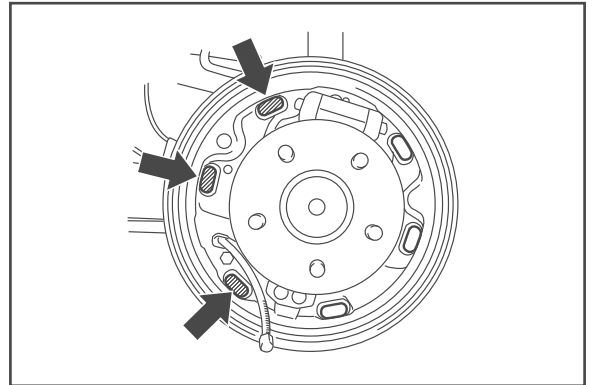
**Figure 7.**



9. Install the rear brake shoes with the NEW strut set.

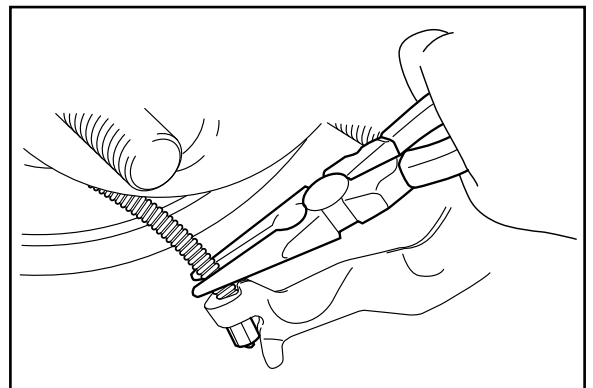
- A. Apply high temperature grease to the surface of the backing plate that contacts the forward leading brake shoe as indicated.

**Figure 8. High Temperature Grease Locations**



- B. Using needle-nose pliers, install the parking brake cable to the rear brake parking brake shoe lever assembly.

**Figure 9.**



## Rear Brake Strut Improvement

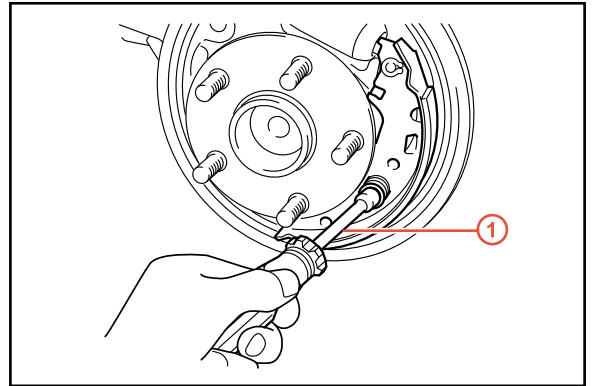
---

### Repair Procedure (Continued)

- C. Using the Shoe Hold Down Spring Driver, install the rear brake shoe, pin, and hold down spring cup.

**SST: 09718-00010**

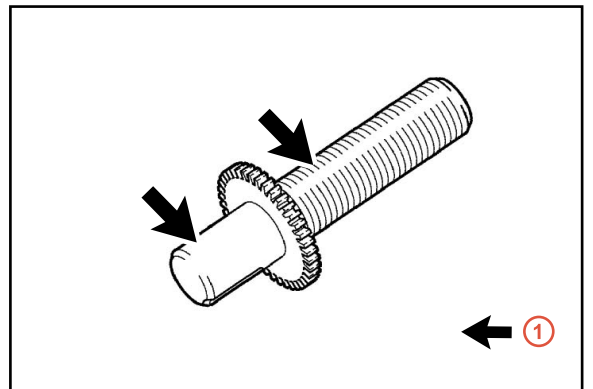
**Figure 10.**



**1** Shoe Hold Down Spring Driver

- D. Apply high temperature grease to the NEW adjustment bolt (strut set).

**Figure 11.**



**1** Apply High Temperature Grease Here



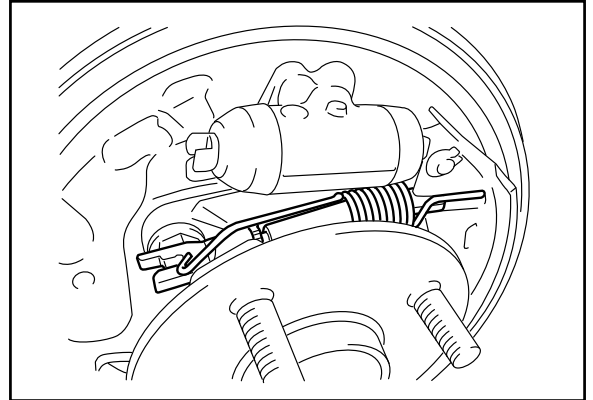
## Rear Brake Strut Improvement

---

### Repair Procedure (Continued)

- E. Install the rear brake strut set assembly with tension spring.

**Figure 12.**

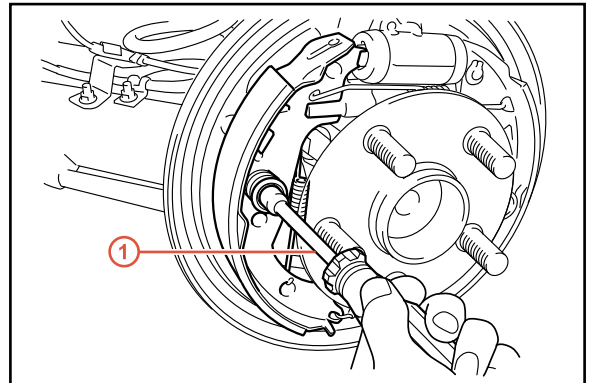


- 10. Install the rear brake shoe (forward leading).

- A. Using the Spring Tension Tool, install the rear brake shoe, pin, hold down spring, and shoe hold down spring cup.

**SST: 09921-00010**

**Figure 13.**



<b>1</b>	<b>Spring Tension Tool</b>
----------	----------------------------

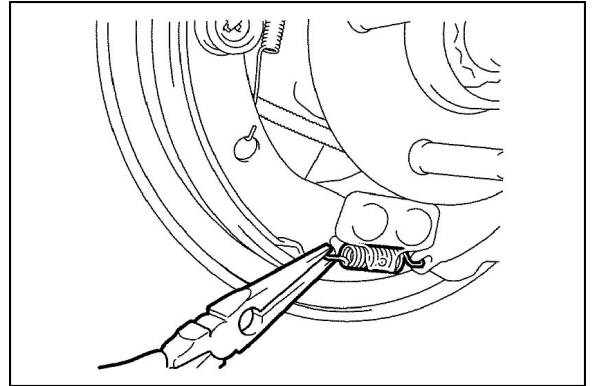
## Rear Brake Strut Improvement

---

### Repair Procedure (Continued)

- B. Using needle-nose pliers, install the tension spring to the rear brake shoe.

Figure 14.



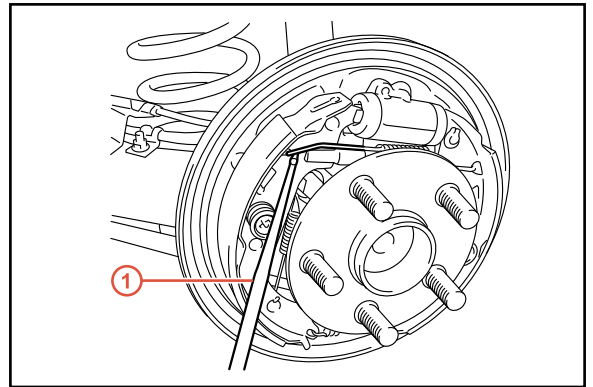
- C. Using the Spring Tension Tool, install the shoe return spring to the rear brake shoe.

Figure 15.

SST: 09921-00010

**NOTICE**

Be cautious **NOT** to damage the wheel cylinder boot with the Spring Tension Tool or the return spring during this process.



<b>1</b>	<b>Spring Tension Tool</b>
----------	----------------------------

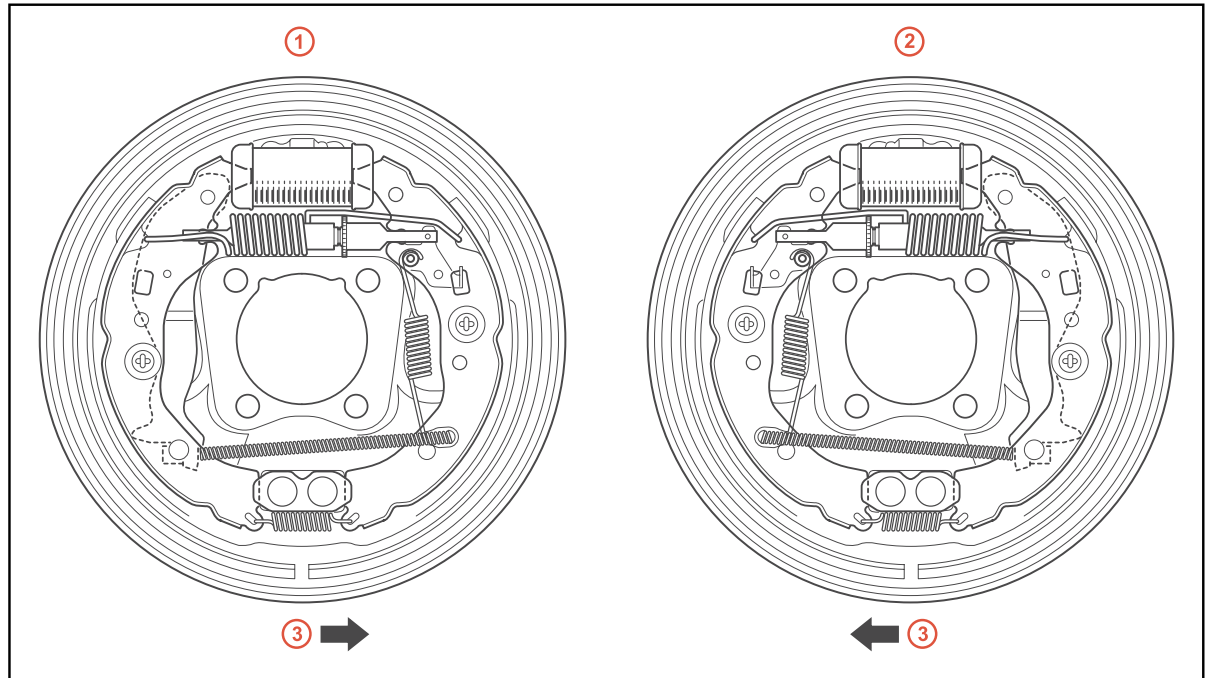
## Rear Brake Strut Improvement

### Repair Procedure (Continued)

11. Inspect the rear brake drum.

A. Inspect that each part is installed properly as shown in the illustration.

**Figure 16.**



<b>1</b>	RH Side
<b>2</b>	LH Side

<b>3</b>	Front
----------	-------

**NOTICE**

There should be NO oil or grease on the shoes or drum.

## Rear Brake Strut Improvement

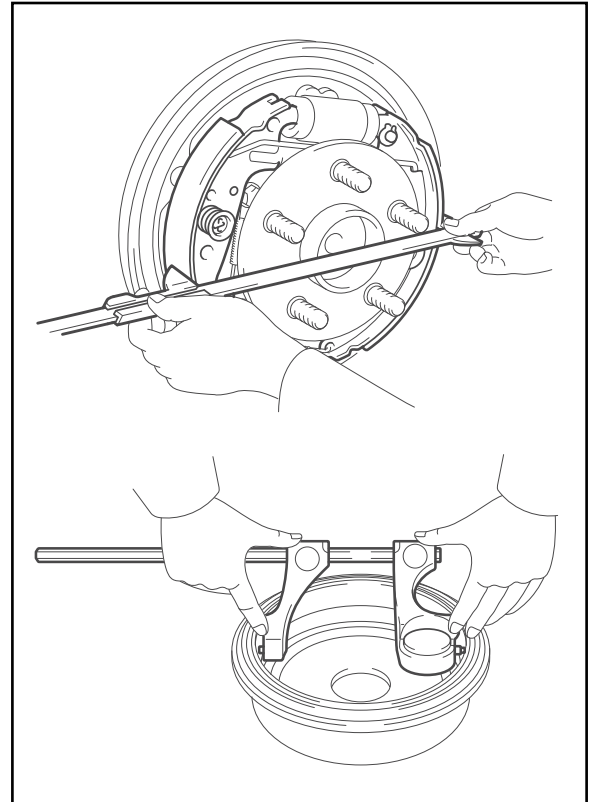
---

### Repair Procedure (Continued)

- B. Measure the brake drum inner diameter and the diameter of the brake shoes. Check that the difference between the diameters is equal to the specified shoe clearance.

**Shoe Clearance: 0.4 mm (0.0157 in.)**

Figure 17.



- C. Install the rear brake drum(s).

## Rear Brake Strut Improvement

---

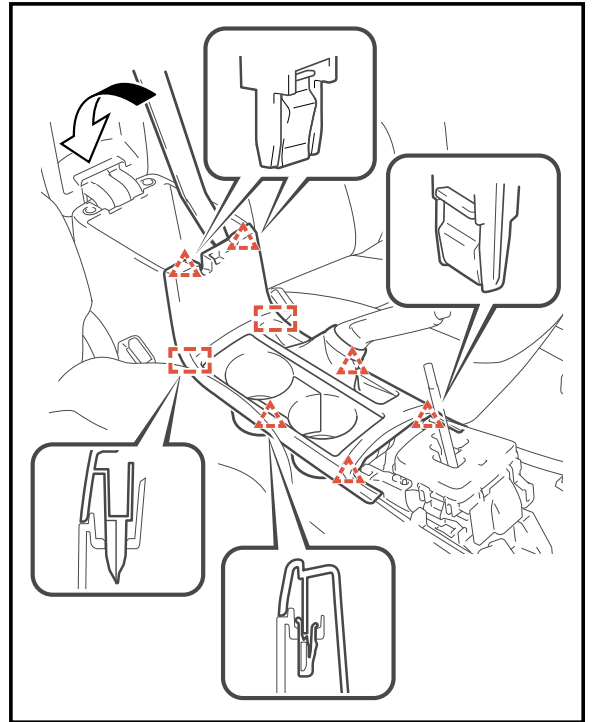
### Repair Procedure (Continued)

12. Adjust parking brake lever travel.

A. Remove the upper console box assembly.

Using a plastic pry tool, disengage the 6 clips and 2 guides, and remove the upper console panel sub-assembly.

**Figure 18.**



B. Completely release the parking brake lever.

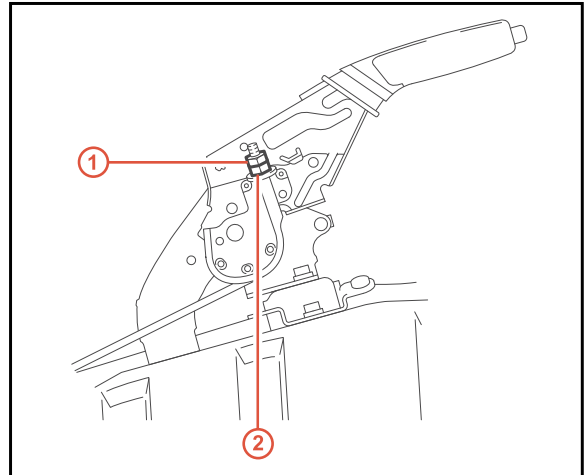
## Rear Brake Strut Improvement

---

### Repair Procedure (Continued)

- C. Loosen the lock nut and the adjusting nut to completely release the cable.

**Figure 19.**



<b>1</b>	<b>Lock Nut</b>
<b>2</b>	<b>Adjusting Nut</b>

- D. Operate the brake lever 3 to 5 times with the engine stopped.
- E. Turn the adjusting nut until the parking brake lever travel is corrected to within the specified range.  
**Parking Brake Lever Travel: 5 to 8 clicks at 200 N (20 kgf, 45 lbf)**
- F. Using a wrench or an equivalent tool, hold the adjusting nut and tighten the lock nut.  
**Torque: 6 N\*m (61 kgf\*cm, 53 in\*lbf)**
- G. Operate the parking brake lever 3 to 4 times, and check the parking brake lever travel.
- H. Check for any rear brake drag and adjust as needed.

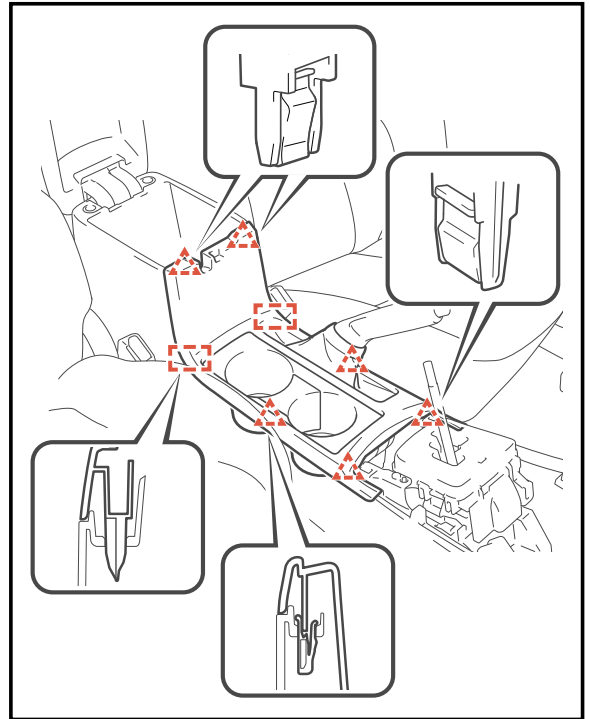
## Rear Brake Strut Improvement

---

### Repair Procedure (Continued)

- I. Install the upper console box assembly by engaging the 6 clips and 2 guides.

Figure 20.



13. Install the rear wheels and torque to specification.  
**Torque: 103 N\*m (1050 kgf\*cm, 76 ft\*lbf)**
14. Test drive the vehicle and confirm proper brake operation and pedal feel.