

Rear Brake Groan or Squeak Noise when Cold

Service
Category Brake

Section Brake (rear)

Market USA

Toyota Supports
ASE Certification 

Applicability

YEAR(S)	MODEL(S)	ADDITIONAL INFORMATION
2012 – 2014	Prius V	

REVISION NOTICE

January 28, 2014 Rev2:

- Vehicle applicability has been updated to include 2014 model year Prius V.
- The entire bulletin has been updated.

October 3, 2013 Rev1:

- The Parts Information and Warranty Information sections have been updated.

Any previous printed versions of this bulletin should be discarded.

Introduction

Some 2012 – 2014 model year Prius V vehicles may exhibit a rear brake groan or squeak noise when going forward or backing up when the brakes are cold. New Rear Brake Caliper Assemblies that include anti-squeal shims, brake pads, and pad support clips and NEW rear rotors have been developed to help address this condition.

NOTE

Be sure to have Production Change Information for the vehicle being repaired available to identify correct repair procedure.

Rear Brake Groan or Squeak Noise when Cold

Production Change Information

NOTE

There are TWO repair procedures based on Production Change Information.

Repair Procedure 1:

This procedure applies to 2012 – 2013 Prius V vehicles produced **BEFORE** the Production Change Effective VIN shown below.

MODEL	PRODUCTION CHANGE EFFECTIVE VIN
Prius V	JTDZN3EU#D3207505

Repair Procedure 2:

This procedure applies to 2013 – 2014 Prius V vehicles produced **WITHIN** the VIN range shown below.

MODEL	VIN RANGE	
	START	END
Prius V	JTDZN3EU#D3207506	JTDZN3EU#E3297272

Parts Information

PART NUMBER		PART NAME	QTY
PREVIOUS	NEW		
47810-47090 47830-47080	47810-47100	Loaded Caliper Assembly, Right Rear	1
47820-47090 47850-47080	47820-47100	Loaded Caliper Assembly, Left Rear	1
42431-47050	42431-47080	Rear Disc	2
90401-10058		Bolt, Union (for Rear Flexible Hose)	2
47389-50020		Gasket (for Rear Flexible Hose)	2

Rear Brake Groan or Squeak Noise when Cold

Warranty Information

REPAIR PROCEDURE	OP CODE	DESCRIPTION	TIME	OFF	T1	T2
1	BR1206	R & R Rear Calipers	0.8	47810-47090 47820-47090 47830-47080 47850-47080	36	40
	473061	R & R Rear Disc (One Side)	0.7	42431-47050		
	Combo A	Opposite Side	0.2	42431-47050		

REPAIR PROCEDURE	OP CODE	DESCRIPTION	TIME	OFF	T1	T2
2	BR1303	R & R Caliper Components	1.0	47810-47090 47820-47090 47820-47080 47830-47080	36	40
	Combo A	Opposite Side	0.8			
	473061	R & R Rear Disc (One Side)	0.7			
	Combo A	Opposite Side	0.2			

APPLICABLE WARRANTY

- This repair is covered under the Toyota Basic Warranty. This warranty is in effect for 36 months or 36,000 miles, whichever occurs first, from the vehicle's in-service date.
- Warranty application is limited to occurrence of the specified condition described in this bulletin.

Required Tools & Equipment

REQUIRED MATERIAL	PART NUMBER	QUANTITY
Toyota Brake Cleaner	00289-2BC00	1
Lithium Soap Based Glycol Grease	08887-01206	1

Rear Brake Groan or Squeak Noise when Cold

Repair Procedure 1

1. Conduct a road test to verify the rear brakes groan or squeak.

NOTE

The condition usually occurs when the brakes are cold and damp.

2. Remove rear brake Caliper Assembly.

Refer to the Technical Information System (TIS), applicable model and model year Repair Manual:

- [2012 / 2013 / 2014 Prius V](#):
Brake – Brake (Rear) – “Brake (Rear): Rear Brake: Removal”

3. Replace the original disc with the updated disc (42431-47080).

NOTE

The updated disc has a rougher surface finish than the original.

NOTICE

Do **NOT** grind the disc to smooth the surface.

4. Install NEW rear brake Caliper Assembly.

Refer to TIS, applicable model and model year Repair Manual:

- [2012 / 2013 / 2014 Prius V](#):
Brake – Brake (Rear) – “Brake (Rear): Rear Brake: Installation”

5. Conduct a test drive and confirm condition is no longer present.

Repair Procedure 2

1. Conduct a road test to verify the rear brakes groan or squeak.

NOTE

The condition usually occurs when the brakes are cold and damp.

2. Prepare the mounting bracket from the ORIGINAL Caliper Assembly.

A. Remove rear brake Caliper Assembly.

Refer to the Technical Information System (TIS), applicable model and model year Repair Manual:

- [2012 / 2013 / 2014 Prius V](#):
Brake – Brake (Rear) – “Brake (Rear): Rear Brake: Removal”

Rear Brake Groan or Squeak Noise when Cold

Repair Procedure 2 (Continued)

- B. Separate caliper from the mounting bracket.

Figure 1.



- C. Remove brake pads.

Figure 2.



Rear Brake Groan or Squeak Noise when Cold

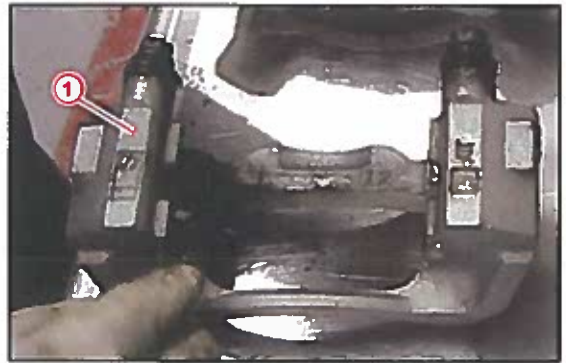
Repair Procedure 2 (Continued)

D. Remove pad support.

Figure 3.



Figure 4.



1	ORIGINAL Mounting Bracket with Brake Pads/Pad Support Removed
----------	--

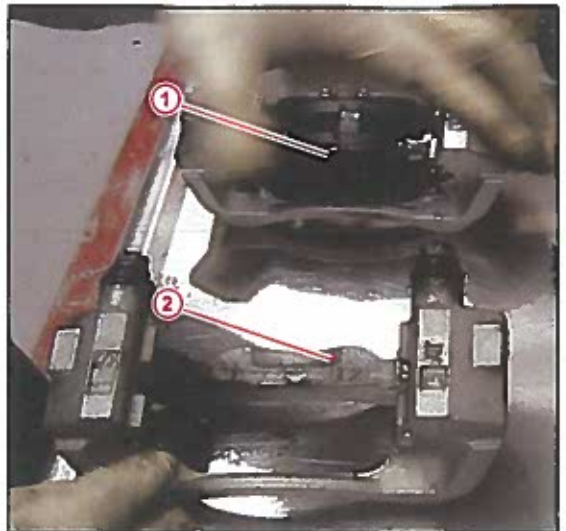
3. Remove components from the NEW Caliper Assembly (P/N: 47810-47100 [RH] / 47820-47100 [LH]), and install into ORIGINAL mounting bracket.

A. Remove caliper from P/N 47810-47100 / 47820-47100.

Figure 5.



Figure 6.



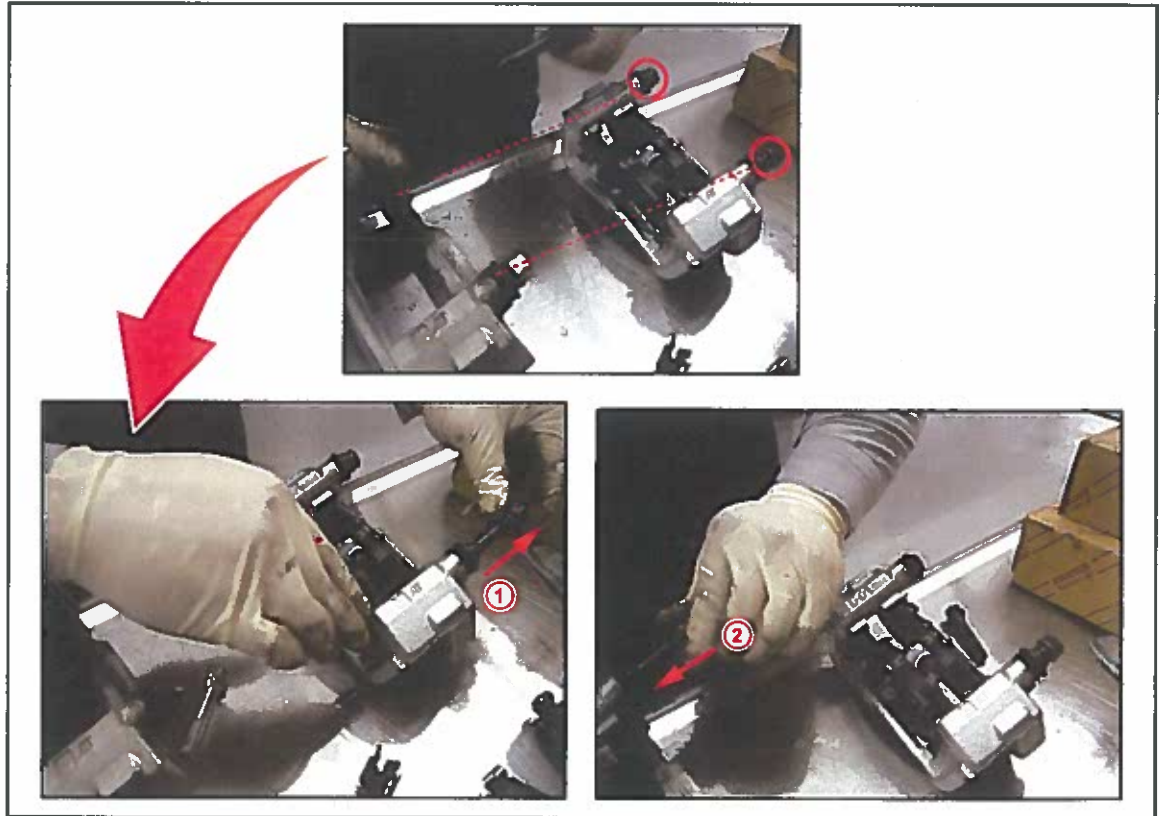
1	NEW Mounting Bracket
2	ORIGINAL Mounting Bracket

Rear Brake Groan or Squeak Noise when Cold

Repair Procedure 2 (Continued)

- B. Remove slide pin No. 1 and No. 2 from the NEW mounting bracket and install into the ORIGINAL mounting bracket.

Figure 7.

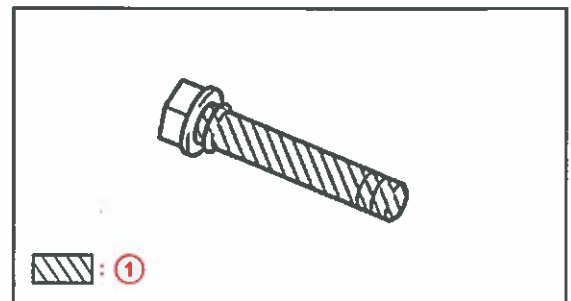


1 Remove 1 Slide Pin at a Time

2 Install 1 Slide Pin at a Time

Before installing slide pin, apply a light layer of Lithium Soap Based Glycol Grease to the sliding parts and the sealing surface of each rear disc brake cylinder slide pin.

Figure 8.



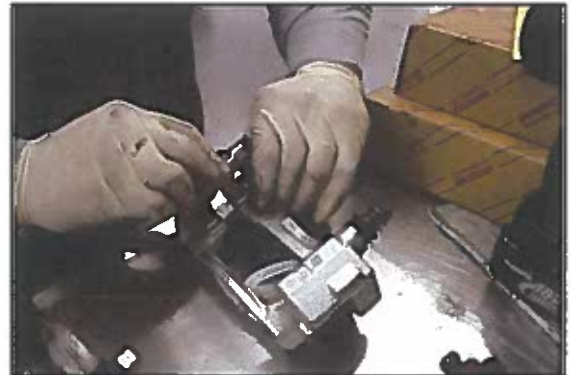
1 Lithium Soap Based Glycol Grease

Rear Brake Groan or Squeak Noise when Cold

Repair Procedure 2 (Continued)

- C. Remove pad support from the NEW mounting bracket and install into ORIGINAL mounting bracket.

Figure 9.



- D. Remove brake pads from the NEW mounting bracket and replace into ORIGINAL mounting bracket.

Figure 10.



- E. Install the NEW caliper into the ORIGINAL mounting bracket.

Figure 11.



Rear Brake Groan or Squeak Noise when Cold

Repair Procedure 2 (Continued)

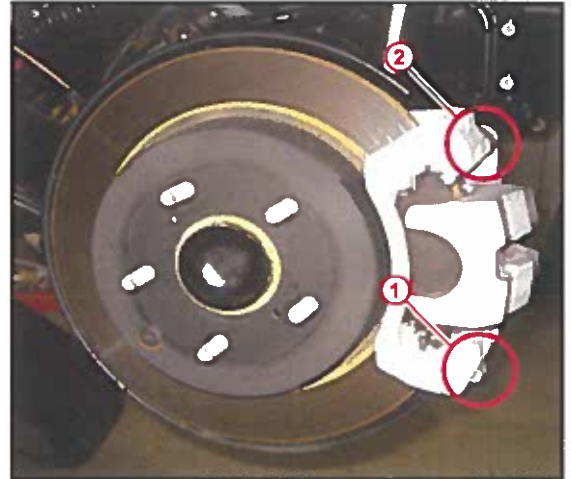
- F. Tighten the slide pin bolts as follows.

After the main slide pin No. 1 is tightened, tighten slide pin No. 2. This will prevent the slide pin bushing from going too far in one direction.

NOTE

The main slide pin No. 1 is always located at lower section of caliper when installed on the vehicle.

Figure 12.



1	Slide Pin No. 1
2	Slide Pin No. 2

4. Replace the original disc with the updated disc (P/N 42431-47080).

NOTE

The updated disc has a rougher surface finish than the original.

NOTICE

Do NOT grind the disc to smooth the surface.

5. Install the NEW rear brake caliper assemblies that have the ORIGINAL mounting brackets installed.

Refer to TIS, applicable model and model year Repair Manual:

- [2012](#) / [2013](#) / [2014](#) Prius V:
Brake – Brake (Rear) – “Brake (Rear): Rear Brake: Installation”

6. Conduct a test drive and confirm condition is no longer present.