

SRS Airbag Light "ON" - B0111/B0116 Open Side Squib Circuit

Service Category Vehicle Interior

Section Supplemental Restraint Systems Market USA



Applicability

YEAR(S)	MODEL(S)	ADDITIONAL INFORMATION
2004 – 2009	Sienna	

REVISION NOTICE

January 17, 2014 Rev2:

- Vehicle applicability has been updated to include 2004 model year Sienna vehicles.
- The Required Tools & Equipment and Repair Procedure sections have been updated.

January 22, 2013 Rev1:

- Side Airbag Replacement has been removed from the bulletin.

Any previous printed versions of this bulletin should be discarded.

SUPERSESION NOTICE

The information contained in this bulletin supersedes SB No. T-SB-0162-10.

- Production Change Information has been added.
- The entire bulletin has been updated.

Service Bulletin No. T-SB-0162-10 is Obsolete and any printed versions should be discarded. Be sure to review the entire content of this bulletin before proceeding.

Introduction

Some 2004 – 2009 model year Sienna vehicles may exhibit an SRS lamp "ON" condition with Diagnostic Trouble Code (DTC) B0111 and/or B0116. An updated repair procedure is available to address this condition. Follow the procedures in this bulletin to repair the floor harness and the side airbag squib circuit.

SRS Airbag Light "ON" - B0111/B0116 Open Side Squib Circuit

Service Bulletin Overview

After confirming the vehicle condition matches this bulletin, this SB will direct you to repair the floor wire harness and the side airbag squib circuit. The wire repair to the floor harness and side airbag squib circuit is only approved for vehicles covered by this bulletin and is not approved for use on other vehicles. Carefully follow the steps outlined in this bulletin to prevent damage to the vehicle.

Production Change Information

This bulletin applies to vehicles produced **BEFORE** the Production Change Effective VINs shown below.

MODEL	DRIVETRAIN	PRODUCTION CHANGE EFFECTIVE VIN
Sienna	2WD	5TDZK23C#9S233852
	AWD	5TDBK23C#9S023266

Warranty Information

OP CODE	DESCRIPTION	TIME	OFF	T1	T2
EL1107	Wire Harness Repair (Driver Power)	1.5	82161-08270	8B	41
EL1108	Wire Harness Repair (Driver Manual)	1.5			
EL1109	Wire Harness Repair (Passenger Power)	1.5			
EL1110	Wire Harness Repair (Passenger Manual)	1.5			
EL1111	Wire Harness Repair (Passenger Fold Flat)	1.5			
EL1112	Wire Harness Repair (Driver Power and Passenger Fold Flat)	1.5			
EL1113	Wire Harness Repair (Driver Manual and Passenger Fold Flat)	1.5			
EL1114	Wire Harness Repair (Driver Manual and Passenger Manual)	1.5			
EL1115	Wire Harness Repair (Driver Power and Passenger Manual)	1.5			
EL1116	Wire Harness Repair (Driver Power and Passenger Power)	1.5			

APPLICABLE WARRANTY

- This repair is covered under the Toyota Restraint System Warranty. This warranty is in effect for 60 months or 60,000 miles, whichever occurs first, from the vehicle's in-service date.
- Warranty application is limited to occurrence of the specified condition described in this bulletin.

SRS Airbag Light "ON" - B0111/B0116 Open Side Squib Circuit

Parts Information

PART NUMBER	PART NAME	QTY
04001-22145	Repair Wire, Kit*	1
89279-08010	Corrugated Tubing	1

Wire Repair Kit Contents*

PART NUMBER	PART NAME	QTY
82999-52010	Sleeve	4
82999-30010	Thermo Contact Tube	4
90980-11863	Connector (Male)	1
90980-11864	Connector (Female)	1
82998-45010	Repair Wire Harness (Male, Wire Color: Yellow - Red)	1
82998-45020	Repair Wire Harness (Male, Wire Color: Yellow - Green)	1
82998-45030	Repair Wire Harness (Female, Wire Color: Yellow - Red)	1
82998-45040	Repair Wire Harness (Female, Wire Color: Yellow - Green)	1

* Repair kit components are not available separately.

Required Tools & Equipment

SPECIAL SERVICE TOOLS (SST)	PART NUMBER	QTY
Plastic Pry Tool Kit**	00002-06020-01	1
Occupant Classification Seat Weight Set**	00002-09090-01	1
Wire Crimper (Non Insulated)**	09042-2C100	1

** Essential SST.

NOTE

Additional SSTs may be ordered by calling 1-800-933-8335.

SRS Airbag Light "ON" - B0111/B0116 Open Side Squib Circuit

Required Tools & Equipment (Continued)

REQUIRED EQUIPMENT	SUPPLIER	PART NUMBER	QTY
Techstream 2.0*	ADE	TS2UNIT	1
TIS Techstream		TSPKG1	
Techstream Lite		TSLITEDLR01	

* Essential SST.

NOTE

- Only ONE of the Techstream units listed above is required.
- Software version 8.30.023 or later is required.
- Additional Techstream units may be ordered by calling Approved Dealer Equipment (ADE) at 1-800-368-6787.

Repair Procedure Overview

- **Section 1: Diagnostic Procedure**

This procedure, using Techstream and the Technical Information System (TIS), will determine the correct repair method.

- **Section 2: Wire Harness Repair**

This section will provide the detailed steps to repair the SRS floor harness and SRS seat harness connectors.

Diagnostic Procedure

Connect Techstream to vehicle and confirm DTC B0111 or B0116 is stored.

- If DTC B0111 or B0116 is stored, then proceed with the repair described in this Service Bulletin.
- If a different DTC is stored, this Service Bulletin does NOT apply. Follow the Repair Manual to complete the diagnosis.

Repair Procedure

NOTICE

- This SRS wire harness repair has only been approved for vehicles covered in this bulletin and is NOT approved for use on any other vehicles.
- Follow the procedures outlined in this bulletin to prevent damage to the vehicle.

SRS Airbag Light "ON" - B0111/B0116 Open Side Squib Circuit

Repair Procedure (Continued)

SRS Floor Harness Connector

NOTE

Repairing the floor harness connector is applicable to all vehicles covered by this bulletin and should be performed FIRST.

1. Remove the front seat.

Refer to TIS, applicable model year Sienna Repair Manual, for each type of seat assembly:

- 2004 Sienna:
Vehicle Interior – Seat – “Front Seat Assembly LH (Power Seat Type) / LH (Manual Seat Type) / RH (Fold Flat Type): Overhaul”
- 2005 Sienna:
Vehicle Interior – Seat – “Front Seat Assembly LH (Power Seat Type) / LH (Manual Seat Type) / RH (Fold Flat Type): Overhaul”
- 2006 Sienna:
Vehicle Interior – Seat – “Seat: Front Seat Assembly (for Flat Type) / (for Manual Seat) / (for Power Seat): Removal”
- 2007 Sienna:
Vehicle Interior – Seat – “Seat: Front Seat Assembly (for Flat Type) / (for Manual Seat) / (for Power Seat): Removal”
- 2008 Sienna:
Vehicle Interior – Seat – “Seat: Front Seat Assembly (for Flat Type) / (for Manual Seat) / (for Power Seat): Removal”
- 2009 Sienna:
Vehicle Interior – Seat – “Seat: Front Seat Assembly (for Flat Type) / (for Manual Seat) / (for Power Seat): Removal”

SRS Airbag Light "ON" - B0111/B0116 Open Side Squib Circuit

Repair Procedure

SRS Floor Harness Connector (Continued)

- Remove the tape from around the corrugated tubing. Remove and save the corrugated tubing.

NOTE

Some vehicles may have an additional sleeve protecting the wiring that will need to be removed. The additional sleeve can be discarded.

Figure 1.



Figure 2.



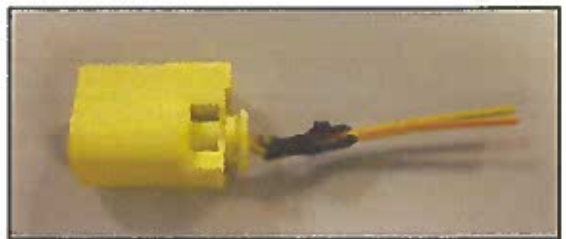
- Measure 80 mm (3.15 in.) from the tip of the floor harness connector and cut the wires.

Retain the old floor harness connector for reference.

Figure 3.



Figure 4.



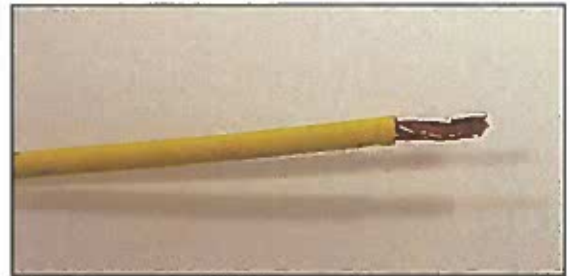
SRS Airbag Light "ON" - B0111/B0116 Open Side Squib Circuit

Repair Procedure

SRS Floor Harness Connector (Continued)

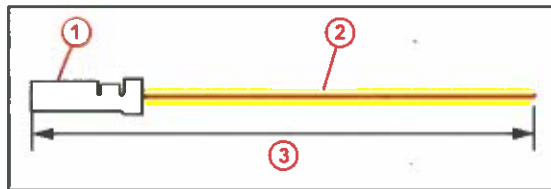
4. Remove 8 mm (0.32 in.) of insulation from the ends of the 2 floor harness wires.

Figure 5.



5. Prepare the new wires with the female terminals.

Figure 6. P/N 82998-45030: Repair Wire Harness (Female, Wire Color: Yellow-Red)



1	Female Terminal
2	Wire
3	Length (160 +/- 10 mm)

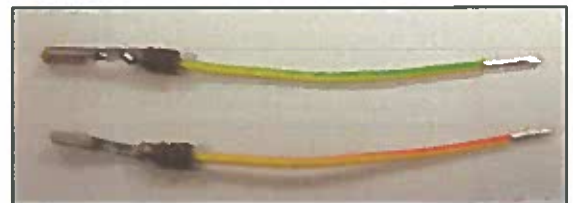
Figure 7. P/N 82998-45040: Repair Wire Harness (Female, Wire Color: Yellow-Green)



1	Female Terminal
2	Wire
3	Length (160 +/- 10 mm)

- A. Measure 80 mm (3.15 in.) from the ends of the female terminals and cut the new wires to length.

Figure 8.



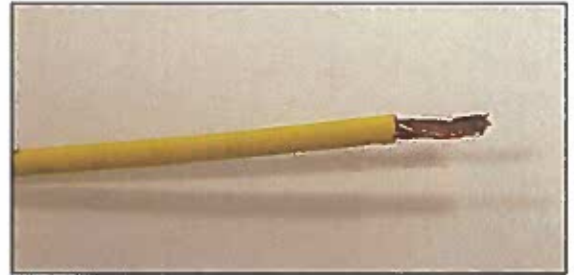
SRS Airbag Light "ON" - B0111/B0116 Open Side Squib Circuit

Repair Procedure

SRS Floor Harness Connector (Continued)

- B. Remove 8 mm (0.32 in.) of insulation from the end of the 2 female terminal pigtails.

Figure 9.



6. Install a barrel sleeve onto each of the floor harness wires.

Figure 10.

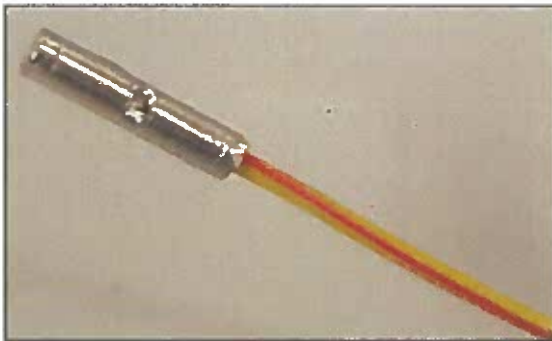
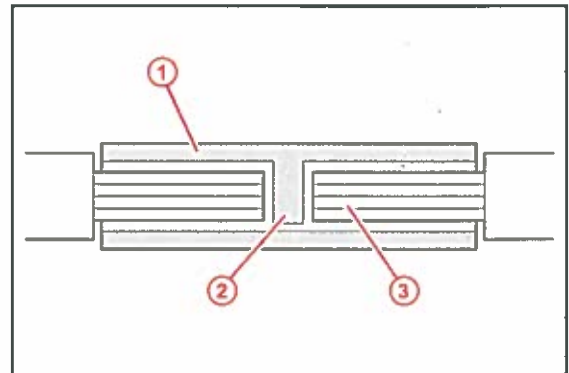


Figure 11.



1	Sleeve
2	Wire Stop
3	Wire

SRS Airbag Light "ON" - B0111/B0116 Open Side Squib Circuit

Repair Procedure

SRS Floor Harness Connector (Continued)

- Place the sleeve into the 1.25 mm crimp die of the SST.

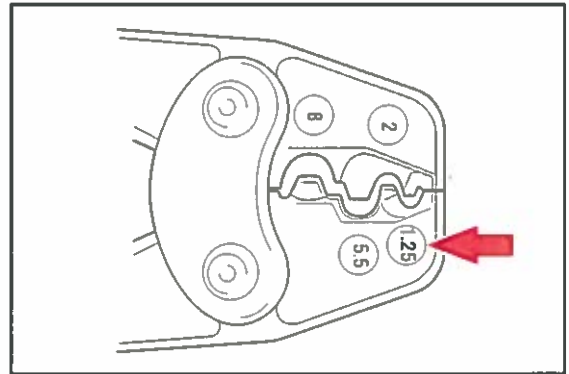
HINT

Place the sleeve into the SST so that the split in the sleeve is in the half circle of the SST.

NOTE

SST 09042-2C100 is the only tool approved to perform this repair — Do NOT use any other tool to crimp the sleeve.

Figure 12.

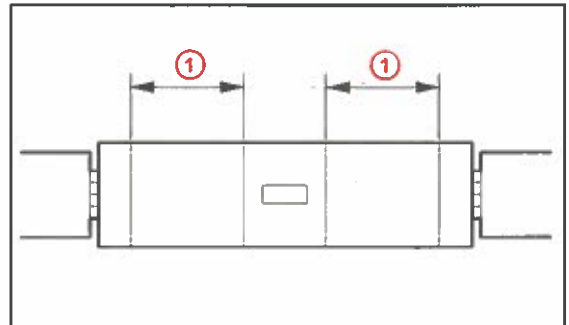


- With the sleeve correctly placed in the SST and wire fully inserted into the sleeve, crimp one side of the sleeve in the area shown by closing the handles fully until they release. Crimp the sleeve onto each of the floor harness wires.

NOTE

The SST has a ratcheting mechanism, and the handle will release when the proper crimp has been achieved.

Figure 13.



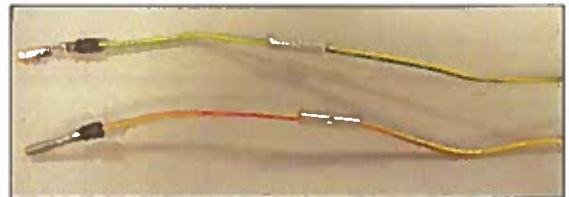
1 Crimp This Portion

- Insert the new harness pig tails into the sleeves and crimp using the SST.

NOTE

The new pig tails are color coded to match the existing floor harness.

Figure 14.



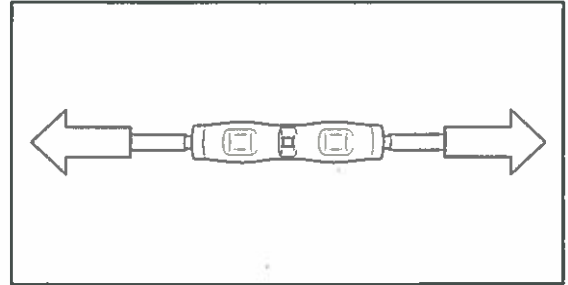
SRS Airbag Light "ON" - B0111/B0116 Open Side Squib Circuit

Repair Procedure

SRS Floor Harness Connector (Continued)

10. Lightly tug on each connection to ensure that the wire is securely crimped.

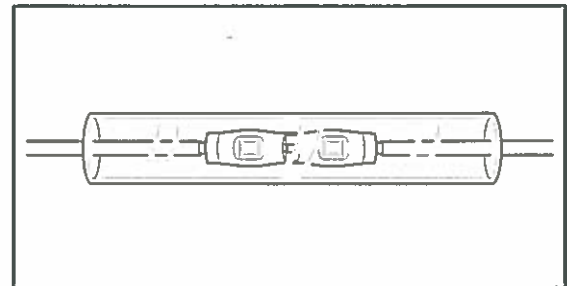
Figure 15.



11. Install the thermo tubing on each wire.

- A. Center the thermo tubing over the center of the barrel sleeve.

Figure 16.

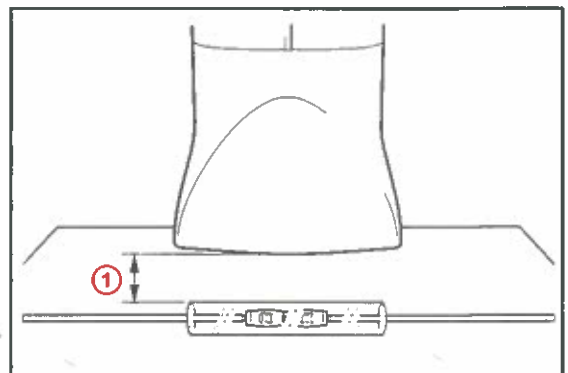


- B. Using a heat gun, heat the thermo tubing until it shrinks and seals the repaired connection.

NOTICE

- When using the heat gun, keep the heat gun about 10 mm (0.39 in.) from the thermo tubing.
- Protect the surrounding areas (i.e., interior panels and carpet) from heat damage.

Figure 17.



1 10 mm

SRS Airbag Light "ON" - B0111/B0116 Open Side Squib Circuit

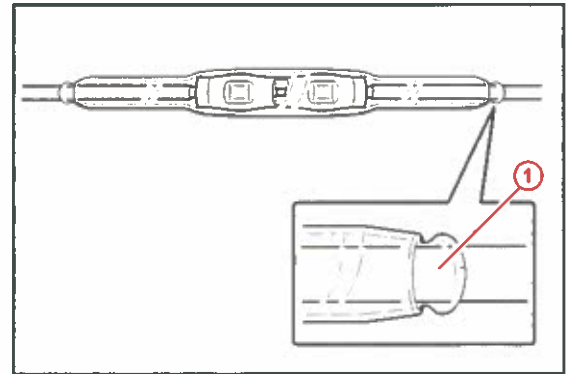
Repair Procedure

SRS Floor Harness Connector (Continued)

NOTE

During the sealing process, adhesive may seep from the thermo tubing. This is a normal condition and part of the sealing properties of the thermo tube.

Figure 18.

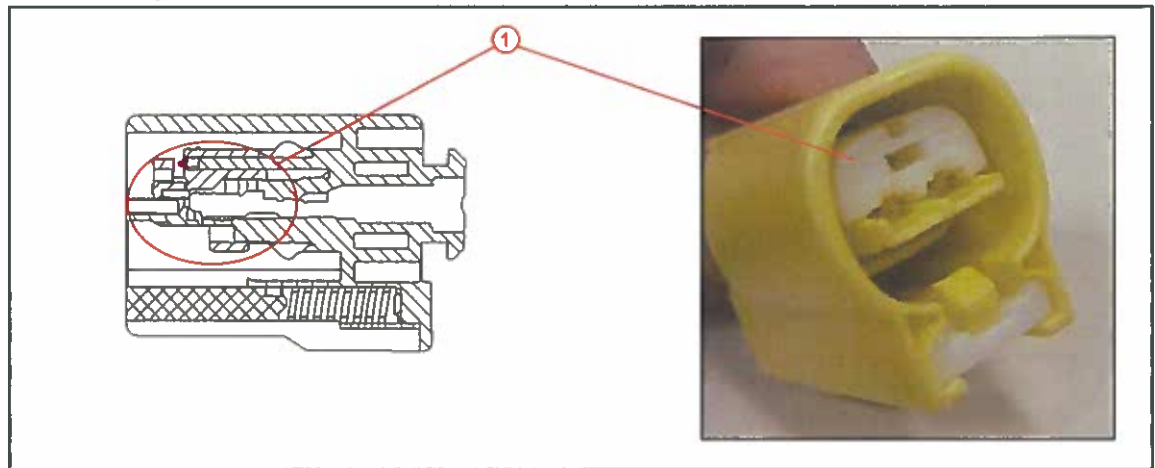


1 Adhesive

12. Install the new floor harness connector.

A. Confirm the secondary lock is in the half locked position.

Figure 19. Half Locked Position



1 Secondary Lock (White Portion)

SRS Airbag Light "ON" - B0111/B0116 Open Side Squib Circuit

Repair Procedure

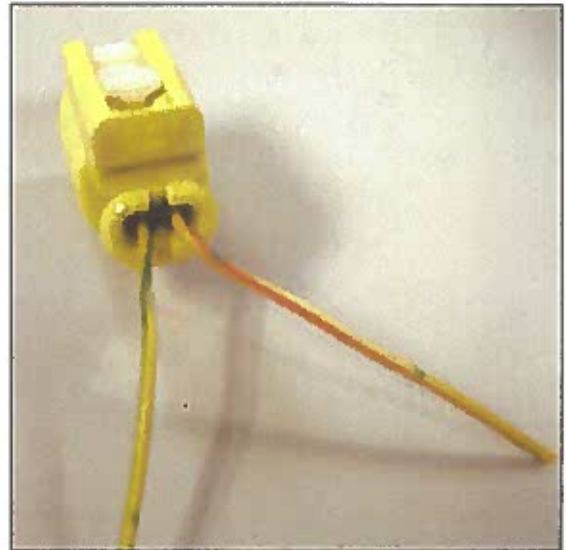
SRS Floor Harness Connector (Continued)

- B. Install each wire into the new connector until a click is heard and the terminal is fully seated.

NOTE

Use the old floor harness connector as a guide to insert the correct wire into the correct connector cavity.

Figure 20.



SRS Airbag Light "ON" - B0111/B0116 Open Side Squib Circuit

Repair Procedure

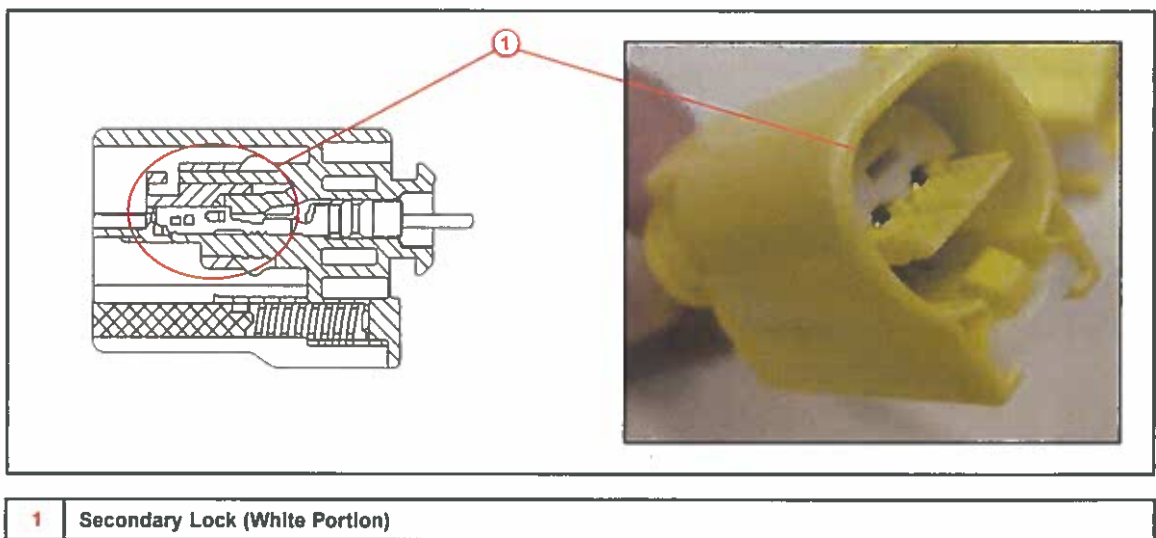
SRS Floor Harness Connector (Continued)

- C. Carefully push the secondary lock until the secondary lock is fully seated.

NOTICE

When pushing the secondary lock in, do NOT damage the terminals.

Figure 21. Fully Locked Position (after Wire Installed)



13. Reinstall the corrugated tubing that was removed in step 2. Tape the corrugated tubing to hold it in place.

SRS Airbag Light "ON" - B0111/B0116 Open Side Squib Circuit

Repair Procedure (Continued)

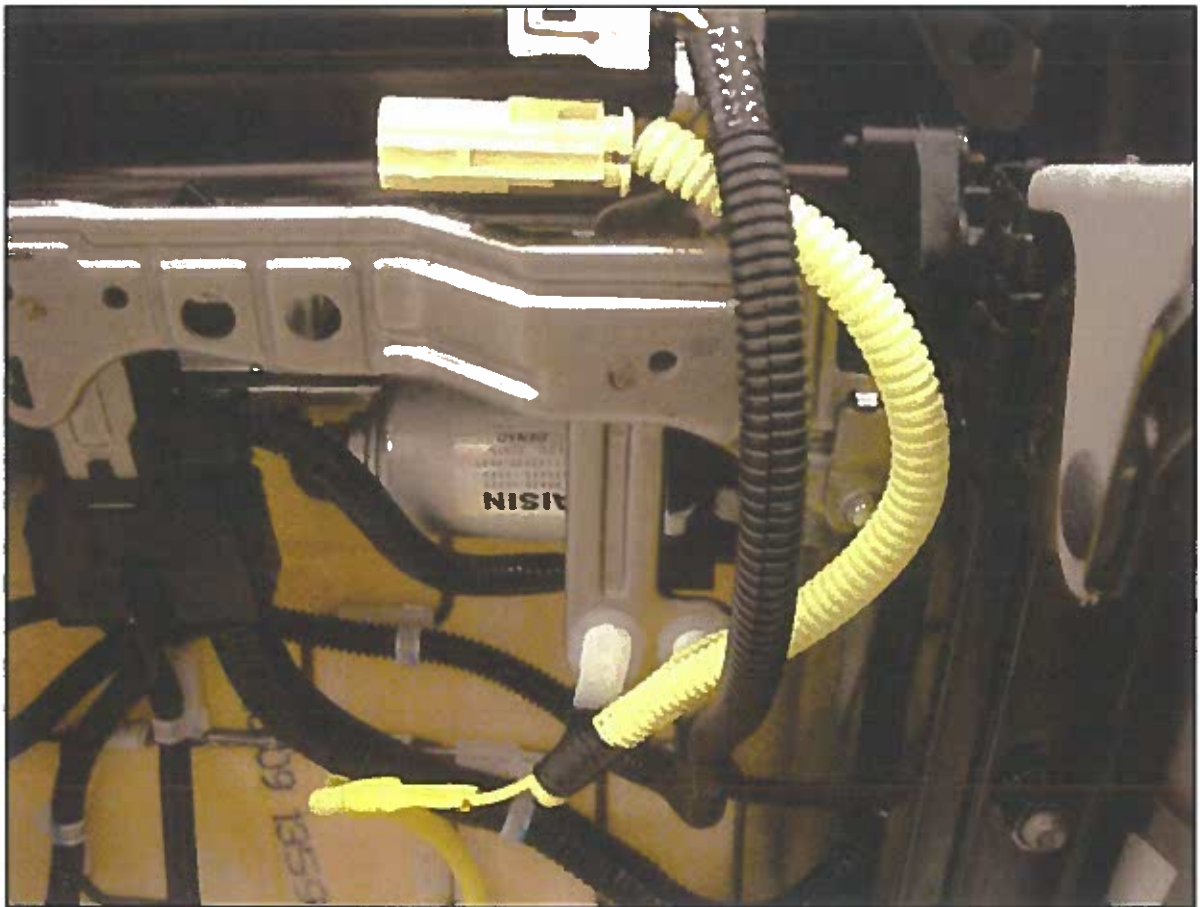
SRS Seat Wire Harness Connector: Power Seat

1. Unclip the SRS seat harness from the seat. Remove the yellow corrugated tubing and discard.

NOTE

Some vehicles may have an additional sleeve protecting the wiring that will need to be removed. The additional sleeve can be discarded.

Figure 22.



SRS Airbag Light "ON" - B0111/B0116 Open Side Squib Circuit

Repair Procedure

SRS Seat Wire Harness Connector: Power Seat (Continued)

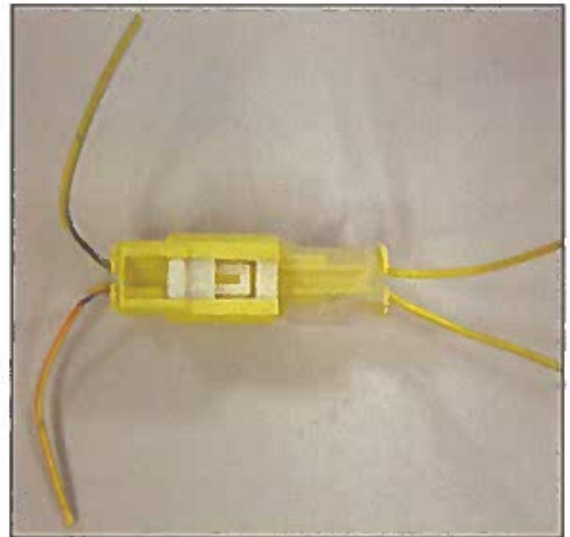
2. Measure accordingly from the tip of the seat harness connector and mark the wires.
 2004 Sienna: Power Seat, Left: 338 mm (13.3 in.)
 2005 – 2009 Sienna: Power Seat: 165 mm (6.5 in.)

3. Install the old floor harness SRS connector that was cut off in step 3 of the Floor Harness Connector procedure.

Figure 23.

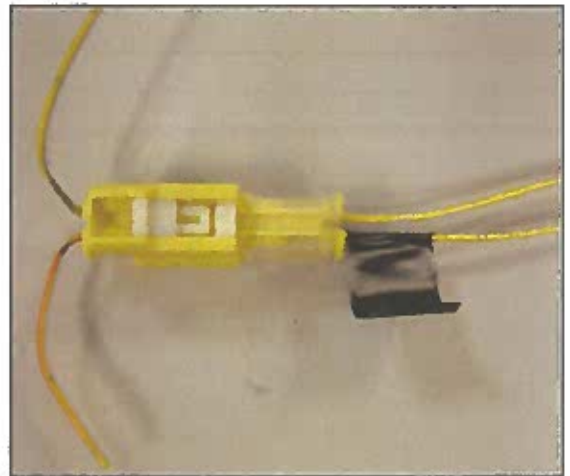


Figure 24.



4. Place a small piece of electrical tape behind the SRS seat harness connector that lines up with the yellow wire with the red tracer in the SRS floor harness connector.

Figure 25.



NOTICE

The wires in the SRS seat harness are the same color. Follow the instructions in this bulletin to prevent damage to the vehicle.

SRS Airbag Light "ON" - B0111/B0116 Open Side Squib Circuit

Repair Procedure

SRS Seat Wire Harness Connector: Power Seat (Continued)

5. Place a small piece of electrical tape behind the cut mark on the same wire that was taped above. Cut the wires at the mark.

2004 Sienna:

Power Seat, Left: 338 mm (13.3 in.)

Power Seat, Right: N/A

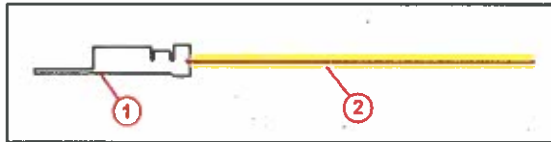
2005 – 2009 Sienna:

Power Seat: 165 mm (6.5 in.)

Retain the cut-off SRS seat harness and connector for later reference.

6. Prepare the new wires with the male terminals.

Figure 27. P/N 82998-45010: Repair Wire Harness (Male, Wire Color: Yellow-Red)



1	Male Terminal
2	Wire

Figure 26.

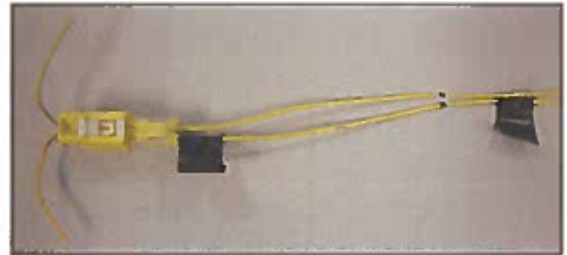
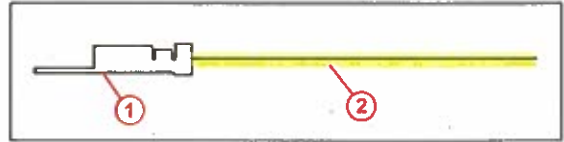


Figure 28. P/N 82998-45020: Repair Wire Harness (Male, Wire Color: Yellow-Green)



1	Male Terminal
2	Wire

- A. Measure from the tip of the male terminal and cut each wire.

2004 Sienna:

Power Seat, Left: 348 mm (13.7 in.)

Power Seat, Right: N/A

2005 – 2009 Sienna:

Power Seat: 175 mm (6.89 in.)

Figure 29.

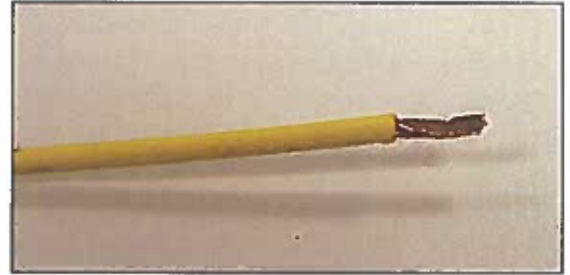


SRS Airbag Light "ON" - B0111/B0116 Open Side Squib Circuit

Repair Procedure

SRS Seat Wire Harness Connector: Power Seat (Continued)

- B. Remove 8 mm (0.32 in.) of insulation from the ends of the male terminal pig tails. **Figure 30.**



7. Proceed to Crimping Seat Wires.

SRS Airbag Light "ON" - B0111/B0116 Open Side Squib Circuit

Repair Procedure (Continued)

SRS Seat Wire Harness Connector: Manual & Fold Flat Seat

1. Unclip the SRS seat harness connector. Remove the yellow corrugated tubing and discard.

NOTE

Some vehicles may have an additional sleeve protecting the wiring that will need to be removed. The additional sleeve can be discarded.

Figure 31.



SRS Airbag Light "ON" - B0111/B0116 Open Side Squib Circuit

Repair Procedure

SRS Seat Wire Harness Connector: Manual & Fold Flat Seat (Continued)

2. Measure from the tip of the seat harness connector and mark the wires.

2004 Sienna:

Manual Seat, Left: 85 mm (3.35 in.)

Manual Seat, Right: 55 mm (2.17 in.)

2005 – 2009 Sienna:

Manual Seat, Left: 85 mm (3.35 in.)

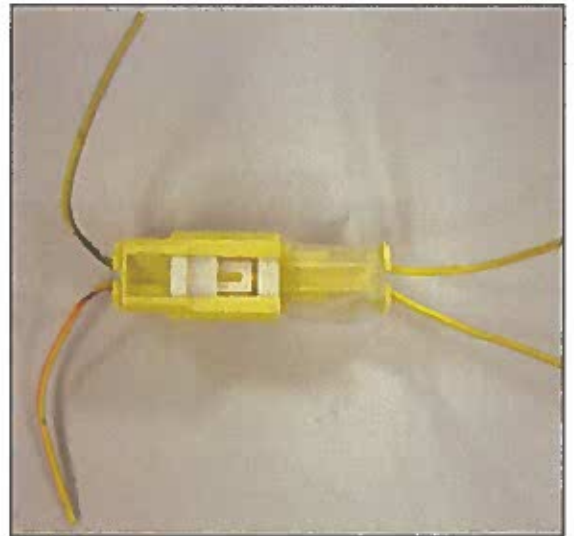
Manual Seat, Right: 70 mm (2.76 in.)

3. Install the floor harness SRS connector that was cut off in step 3 of the Floor Harness Connector procedure.

Figure 32.

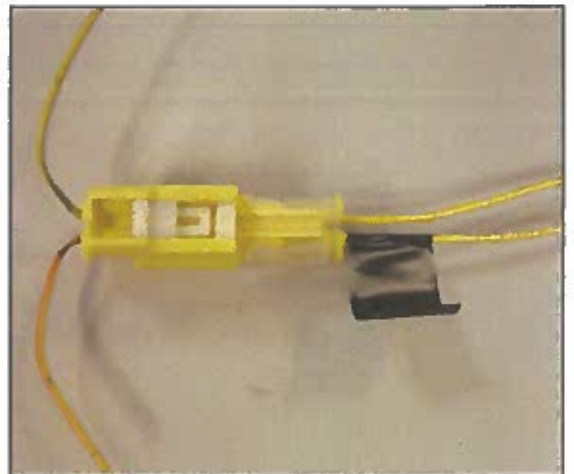


Figure 33.



4. Place a small piece of electrical tape behind the SRS seat harness connector that lines up with the yellow wire with the red tracer on the SRS floor harness connector.

Figure 34.



NOTICE

The wires in the SRS seat harness are the same color. Follow the instructions in this bulletin to prevent damage to the vehicle.

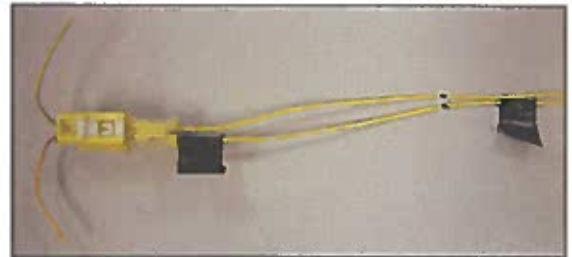
SRS Airbag Light "ON" - B0111/B0116 Open Side Squib Circuit

Repair Procedure

SRS Seat Wire Harness Connector: Manual & Fold Flat Seat (Continued)

5. Place a small piece of electrical tape behind the cut mark on the same wire that was taped in step 4.

Figure 35.



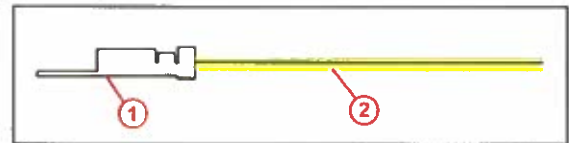
6. Cut the wires at the cut mark, and retain the cut-off SRS seat harness and connector for later reference.
7. Prepare the new wires with the male terminals.

Figure 36. P/N 82998-45010: Repair Wire Harness (Male, Wire Color: Yellow-Red)



1	Male Terminal
2	Wire

Figure 37. P/N 82998-45020: Repair Wire Harness (Male, Wire Color: Yellow-Green)



1	Male Terminal
2	Wire

- A. Measure from the ends of the male terminals and cut the new wires.

2004 Sienna:

Manual Seat, Left: 75 mm (2.95 in.)

Manual Seat, Right: 65 mm (2.56 in.)

2005 – 2009 Sienna:

Manual Seat, Left: 95 mm (3.74 in.)

Manual Seat, Right: 80 mm (3.15 in.)

Figure 38.



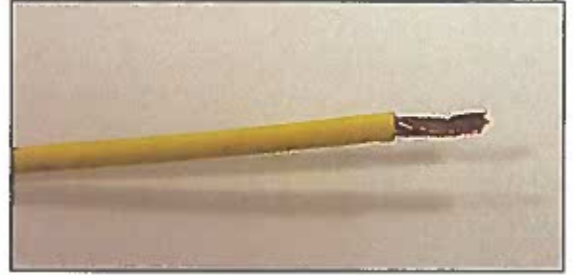
SRS Airbag Light "ON" - B0111/B0116 Open Side Squib Circuit

Repair Procedure

SRS Seat Wire Harness Connector: Manual & Fold Flat Seat (Continued)

- B. Remove 8 mm (0.32 in.) of insulation from the ends of the male terminal pig tails.

Figure 39.



8. Proceed to Crimping Seat Wires.

SRS Airbag Light "ON" - B0111/B0116 Open Side Squib Circuit

Repair Procedure (Continued)

Crimping Seat Wires

1. Install a sleeve onto each of the wires from the seat harness.

Figure 40.

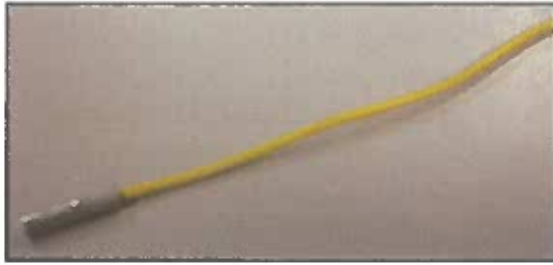
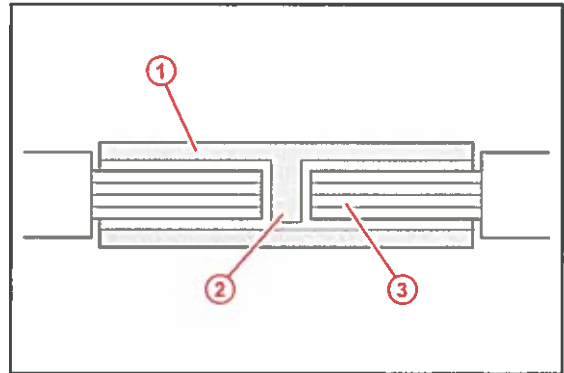


Figure 41.



1	Sleeve
2	Wire Stop
3	Wire

2. Place the sleeve into the 1.25 mm crimp die of the SST.

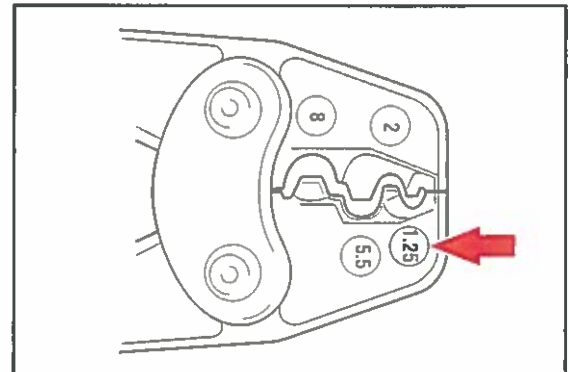
HINT

Place the sleeve into the SST so that the split in the sleeve is in the half circle of the SST.

NOTE

SST 09042-2C100 is the only tool approved to perform this repair — Do NOT use any other tool to crimp the sleeve.

Figure 42.



SRS Airbag Light "ON" - B0111/B0116 Open Side Squib Circuit

Repair Procedure

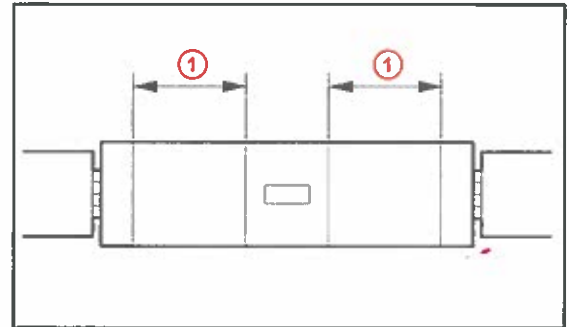
Crimping Seat Wires (Continued)

- With the sleeve correctly placed in the SST and wire fully inserted into the sleeve, crimp one side of the sleeve in the area shown by closing the handles fully until they release. Crimp the sleeve onto each of the floor harness wires.

NOTE

The SST has a ratcheting mechanism, and the handle will release when the proper crimp has been achieved.

Figure 43.



1 Crimp This Portion

- Insert the new pig tail (yellow with red tracer) into the sleeve that was marked with electrical tape and crimp using the SST.

Figure 44.



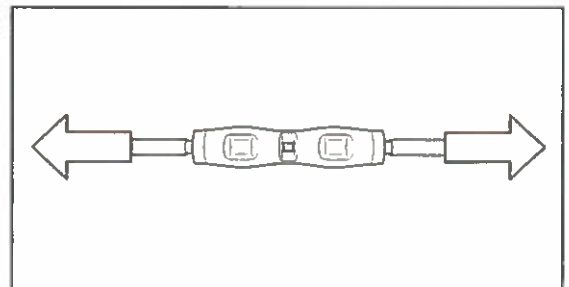
- Insert the new pig tail (yellow with green tracer) into the other sleeve and crimp using the SST.

Figure 45.



- Lightly tug on each connection to ensure that the wire is securely crimped.

Figure 46.



SRS Airbag Light "ON" - B0111/B0116 Open Side Squib Circuit

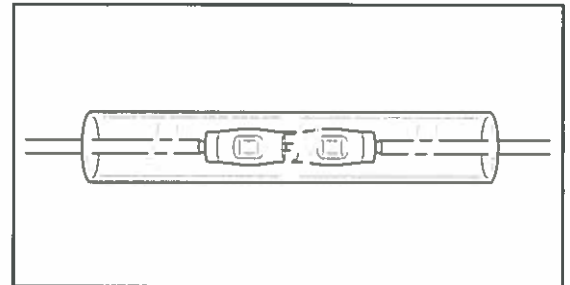
Repair Procedure

Crimping Seat Wires (Continued)

7. Install the thermo tubing on each wire.

A. Center the thermo tubing over the center of the barrel sleeve.

Figure 47.

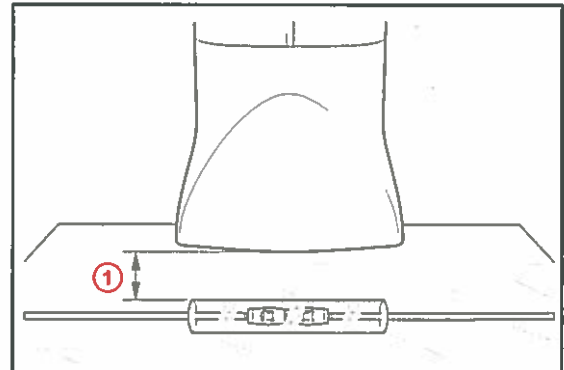


B. Using a heat gun, heat the thermo tubing until it shrinks and seals the repaired connection.

NOTICE

- When using the heat gun, keep the heat gun about 10 mm (0.39 in.) from the thermo tubing.
- Protect the surrounding areas (i.e., interior panels and carpet) from heat damage.

Figure 48.



1 10 mm

SRS Airbag Light "ON" - B0111/B0116 Open Side Squib Circuit

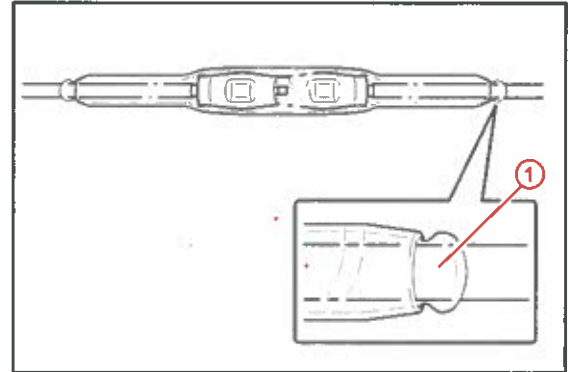
Repair Procedure

Crimping Seat Wires (Continued)

NOTE

During the sealing process, adhesive may seep from the thermo tubing. This is a normal condition and part of the sealing properties of the thermo tube.

Figure 49.



1	Adhesive
---	----------

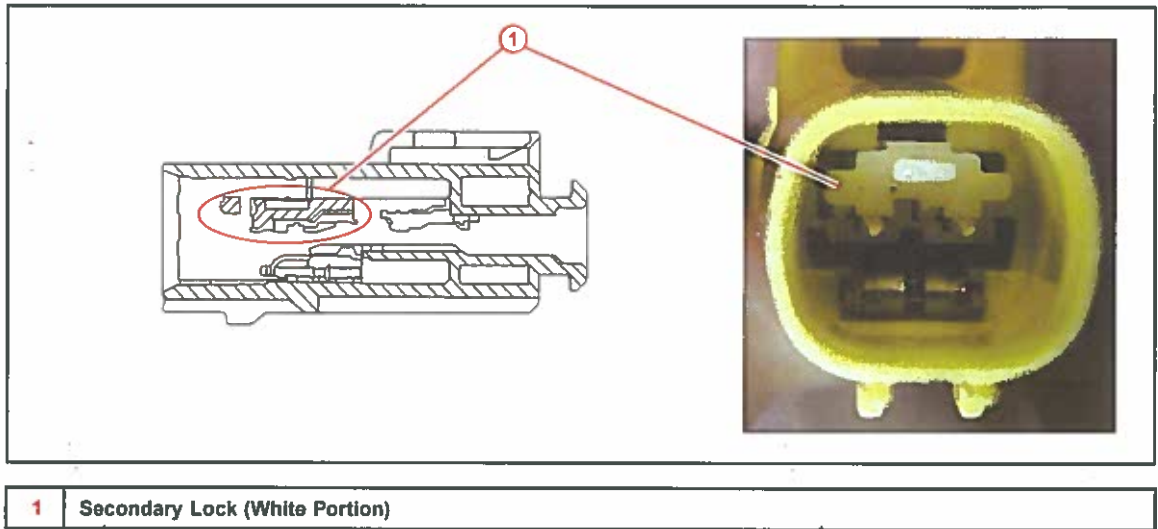
SRS Airbag Light "ON" - B0111/B0116 Open Side Squib Circuit

Repair Procedure

Crimping Seat Wires (Continued)

8. Install the new SRS seat harness connector.
 - A. Confirm that the secondary lock is in the half-locked position.

Figure 50. Half-Locked Position



- B. Install the old SRS floor harness approximately 15 mm onto the new SRS seat connector.

Figure 51.

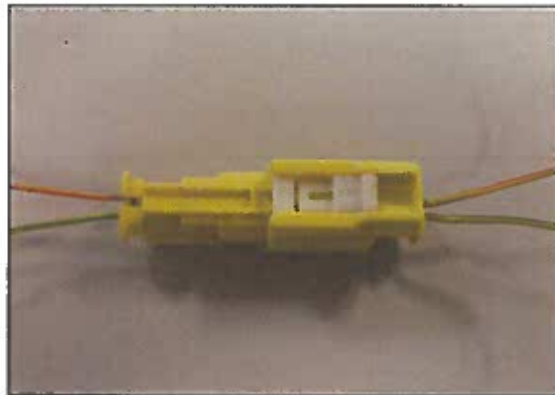


Figure 52.



- C. Insert the yellow wire with the red tracer into the new SRS seat harness connector that lines up with the yellow wire with the red tracer on the old SRS floor harness connector.

SRS Airbag Light "ON" - B0111/B0116 Open Side Squib Circuit

Repair Procedure

Crimping Seat Wires (Continued)

- D. Insert the yellow wire with the green tracer into the other cavity of the new SRS seat harness connector.

NOTE

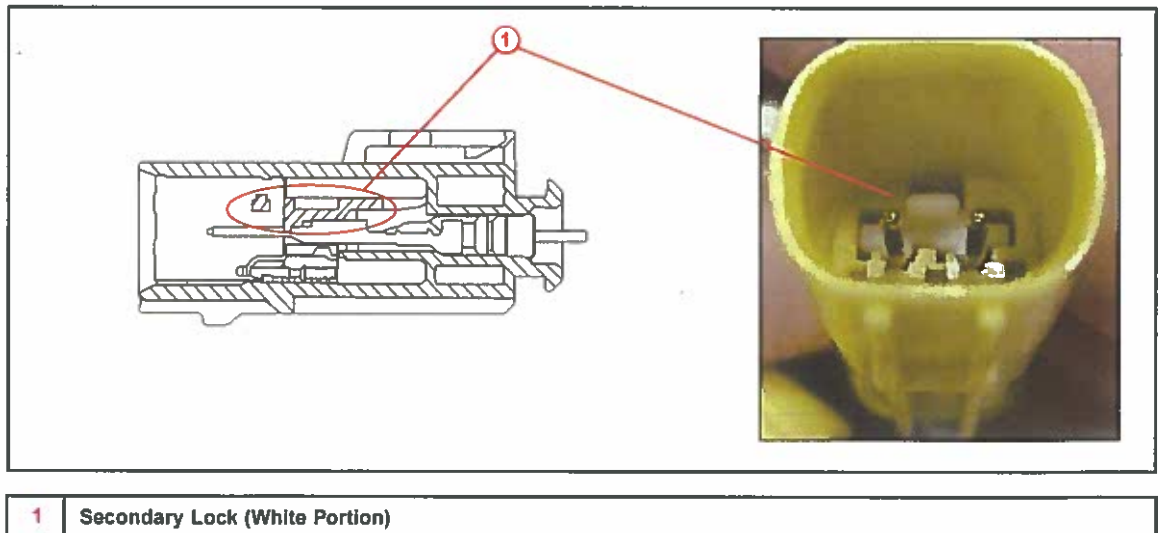
When installing the wires ensure that a click sound is heard and that the terminals are fully seated.

- E. Remove the old SRS floor harness connector.
- F. Carefully push the secondary lock of the new SRS seat harness connector until it is fully seated.

NOTICE

When pushing in the secondary lock, do NOT damage the terminals.

Figure 53. Fully Locked Position (after Wire Installed)



SRS Airbag Light "ON" - B0111/B0116 Open Side Squib Circuit

Repair Procedure

Crimping Seat Wires (Continued)

9. Cut and install the new corrugated tubing onto the wiring as follows:

DESCRIPTION	SIZE	MODEL YEAR
Power Seat, Left or Right	175 mm (6.89 in.)	2005 – 2009
Power Seat, Left	350 mm (13.78 in.)	2004
Power Seat, Right	65 mm (2.56 in.)	
Manual Seat, Left	75 mm (2.95 in.)	
Manual Seat, Right	65 mm (2.56 in.)	
Manual Seat, Left	95 mm (3.74 in.)	2005 – 2009
Manual Seat, Right	80 mm (3.15 in.)	

NOTE

Tape the corrugated tubing to hold it in place.

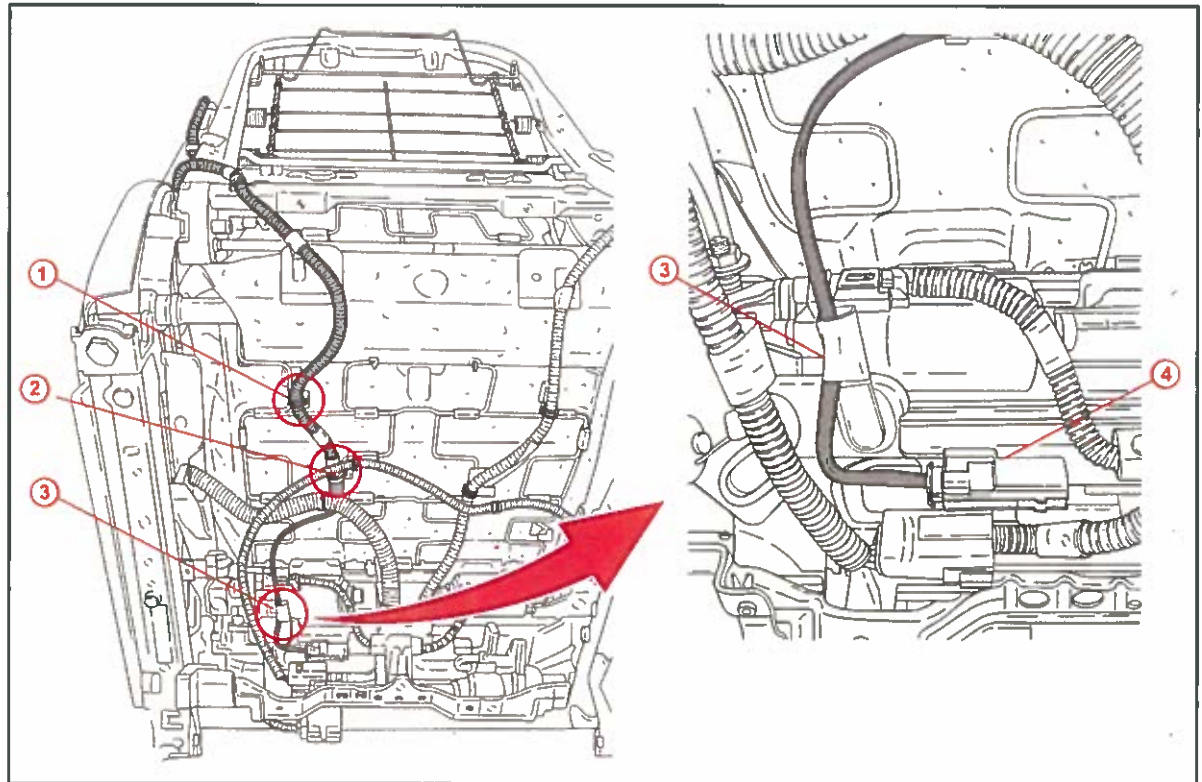
SRS Airbag Light "ON" - B0111/B0116 Open Side Squib Circuit

Repair Procedure

Crimping Seat Wires (Continued)

10. Reinstall the clips for the SRS seat harness.

Figure 54.



1	Clip No. 4
2	Clip No. 5

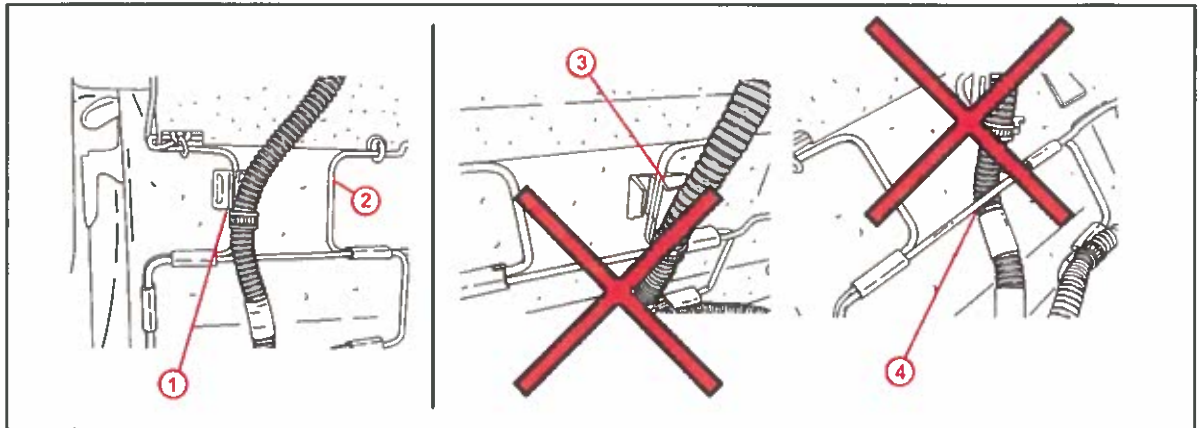
3	Clip No. 6
4	Harness Assembly Connector

SRS Airbag Light "ON" - B0111/B0116 Open Side Squib Circuit

Repair Procedure

Crimping Seat Wires (Continued)

Figure 55.



1	Detail of Clip No. 4 (Fix to OUTSIDE Spring)
2	Inner Spring

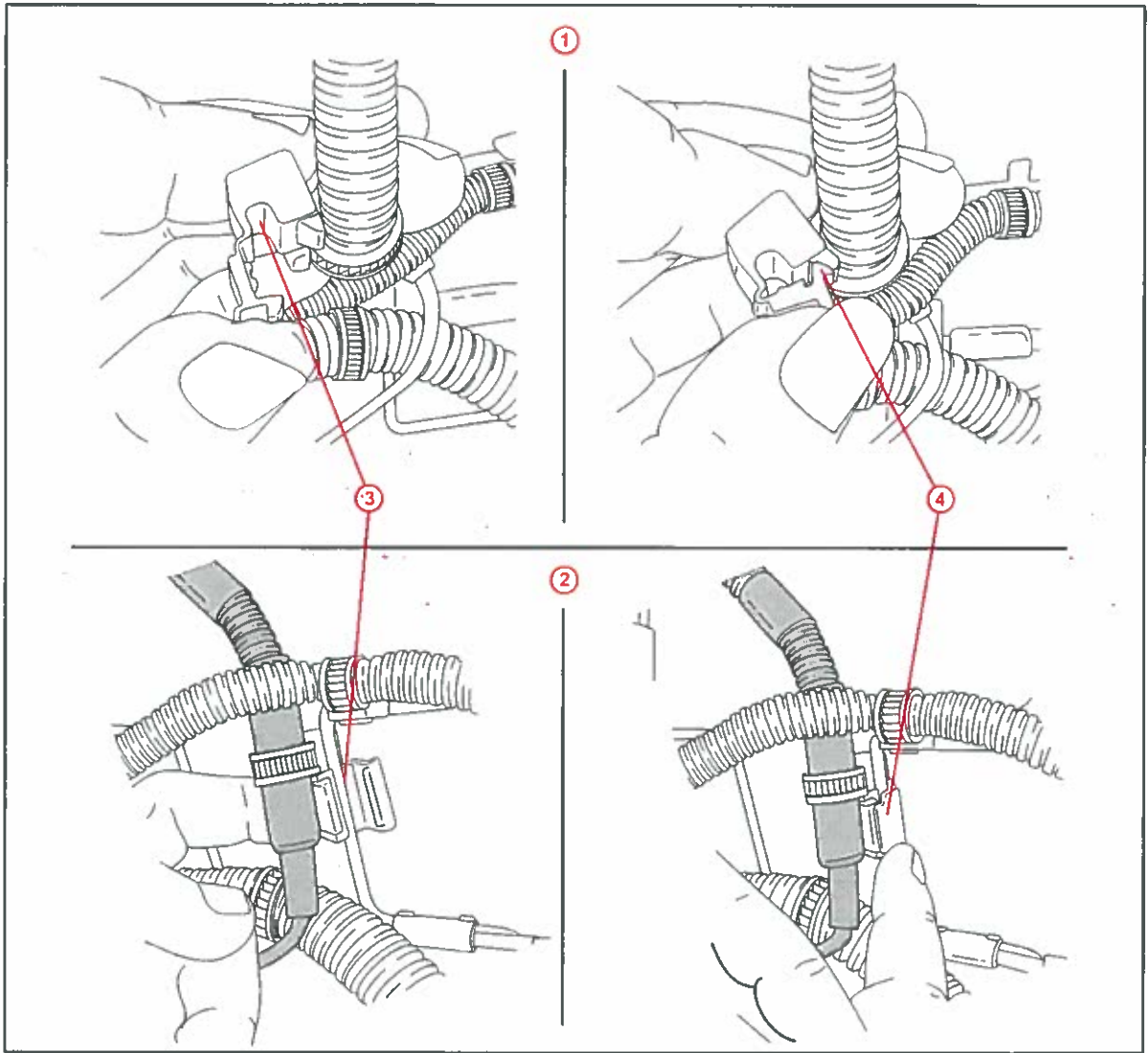
3	Do NOT Fix to Inner Spring
4	Do NOT Route Between Spring and Pad

SRS Airbag Light "ON" - B0111/B0116 Open Side Squib Circuit

Repair Procedure

Crimping Seat Wires (Continued)

Figure 56.



1	Installation for Clip No. 4
2	Installation for Clip No. 5

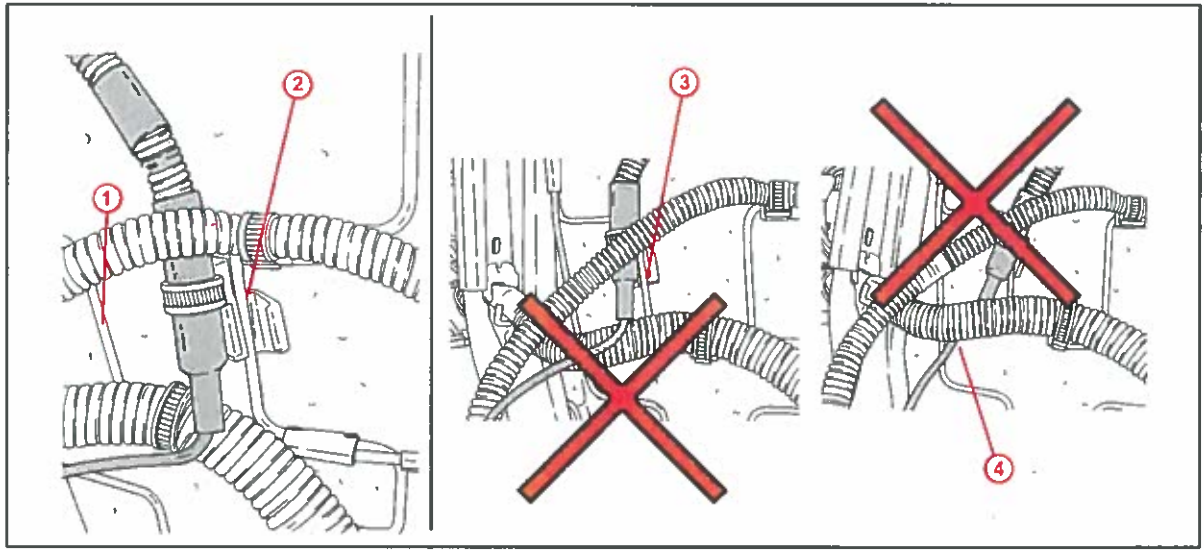
3	Place Spring in Ditch Part of Clip
4	Inserting the Locking Clasp

SRS Airbag Light "ON" - B0111/B0116 Open Side Squib Circuit

Repair Procedure

Crimping Seat Wires (Continued)

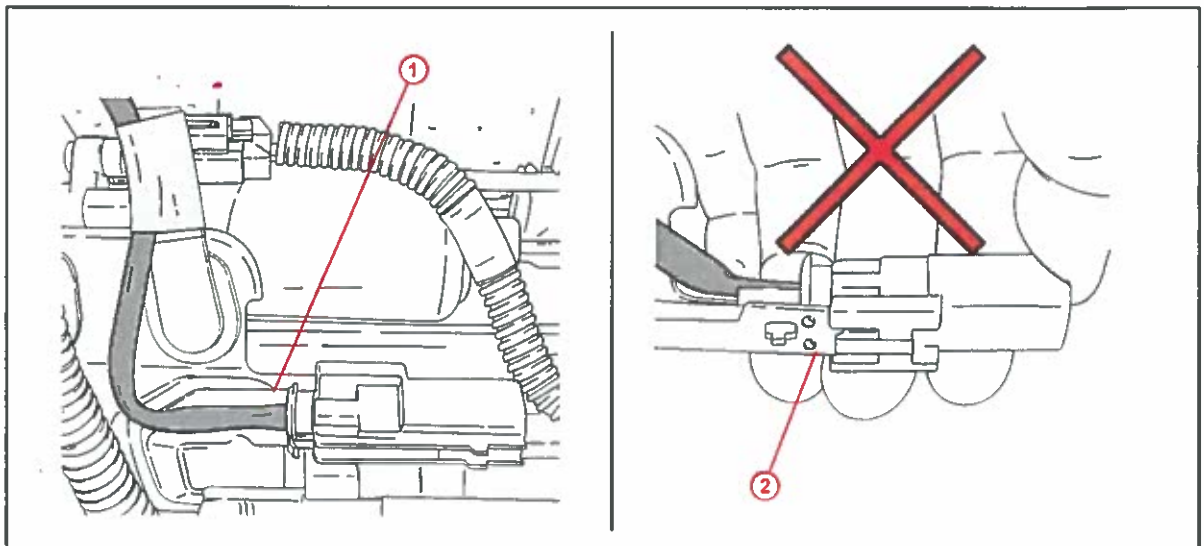
Figure 57.



1	Outside Spring
2	Detail of Clip No. 5 (Fix to INNER Spring)

3	Do NOT Fix to Outer Spring
4	Do NOT Route Under the Seat Wire Harness

Figure 58.



1	Detail of Harness Assembly Connector (Install Connector UNDER the Bracket)
2	Do NOT Install Above the Bracket

SRS Airbag Light "ON" - B0111/B0116 Open Side Squib Circuit

Repair Procedure (Continued)

Installation

1. Reinstall the front seat assembly.

Refer to TIS, applicable model year Sienna Repair Manual:

- 2004 Sienna:
Vehicle Interior – Seat – “Front Seat Assembly [LH \(Power Seat Type\)](#) / [LH \(Manual Seat Type\)](#) / [RH \(Fold Flat Type\)](#): Overhaul”
 - 2005 Sienna:
Vehicle Interior – Seat – “Front Seat Assembly [LH \(Power Seat Type\)](#) / [LH \(Manual Seat Type\)](#) / [RH \(Fold Flat Type\)](#): Overhaul”
 - 2006 Sienna:
Vehicle Interior – Seat – “Seat: Front Seat Assembly [\(for Flat Type\)](#) / [\(for Manual Seat\)](#) / [\(for Power Seat\)](#): Installation”
 - 2007 Sienna:
Vehicle Interior – Seat – “Seat: Front Seat Assembly [\(for Flat Type\)](#) / [\(for Manual Seat\)](#) / [\(for Power Seat\)](#): Installation”
 - 2008 Sienna:
Vehicle Interior – Seat – “Seat: Front Seat Assembly [\(for Flat Type\)](#) / [\(for Manual Seat\)](#) / [\(for Power Seat\)](#): Installation”
 - 2009 Sienna:
Vehicle Interior – Seat – “Seat: Front Seat Assembly [\(for Flat Type\)](#) / [\(for Manual Seat\)](#) / [\(for Power Seat\)](#): Installation”
2. Initialize the front passenger Occupant Classification System (OCS).
Refer to TIS, applicable model year Sienna Repair Manual:
 - [2005](#) Sienna:
Vehicle Interior – Supplemental Restraint Systems – “Supplemental Restraint System: Initialization”
 - [2006](#) / [2007](#) / [2008](#) / [2009](#) Sienna:
Vehicle Interior – Supplemental Restraint Systems – “Supplemental Restraint System: Occupant Classification System: Initialization”
 3. Initialize power systems (windows, moon roof, etc.). Refer to the appropriate Service Bulletin on TIS.
 4. Clear all codes in the SRS system.
 5. Test drive vehicle.
 6. Recheck the vehicle for any SRS codes.
 7. Perform Health Check and verify.