

Date	Expiration	Release	Page
06.2014	06.2016	-	1(3)

## TAG AXLE BRAKE WEAR INDICATOR REPLACEMENT Prevost vehicles

### DESCRIPTION

On the vehicles affected by this bulletin, replace the two visual brake wear indicators on the tag axle.

### MODEL YEAR(S) AND VEHICLES INVOLVED

<i>NOTICE TO SERVICE CENTERS</i>	
<i>Verify vehicle eligibility by checking warranty bulletin status with <b>SAP</b> or via <b>ONLINE WARRANTY SYSTEM</b> available on Service / Warranty tab of Prevost website.</i>	
Model	VIN
X3-45 Commuter Model Year : 2012	From 2PCG33495CC73 <u>5053</u> up to 2PCG33495CC73 <u>5232</u> incl.
<p><small>This bulletin does not necessarily apply to all the above-mentioned vehicles, some vehicles may have been modified before delivery. The owners of the vehicles affected by this bulletin will be advised by a letter indicating the Vehicle Identification Number (VIN) of each vehicle concerned.</small></p>	



### MATERIAL NEEDED

Order the following parts:

Part No.	Description	Qty
142907	Brake wear indicator, Visual	2

<b>NOTE</b>
<i>Material can be obtained through regular channels.</i>

### REQUIRED TOOLS

<p><b>TORQUE WRENCH</b> (Sugg. Rating: 100-500lbf-ft)</p> 	<p><b>RATCHET AND SOCKET SET – METRIC/SAE</b></p> 
---	--

## PROCEDURE



### DANGER

Park vehicle safely, apply parking brake, stop engine. In the battery box, set the battery cut-off switch to the OFF position prior to working on the vehicle.

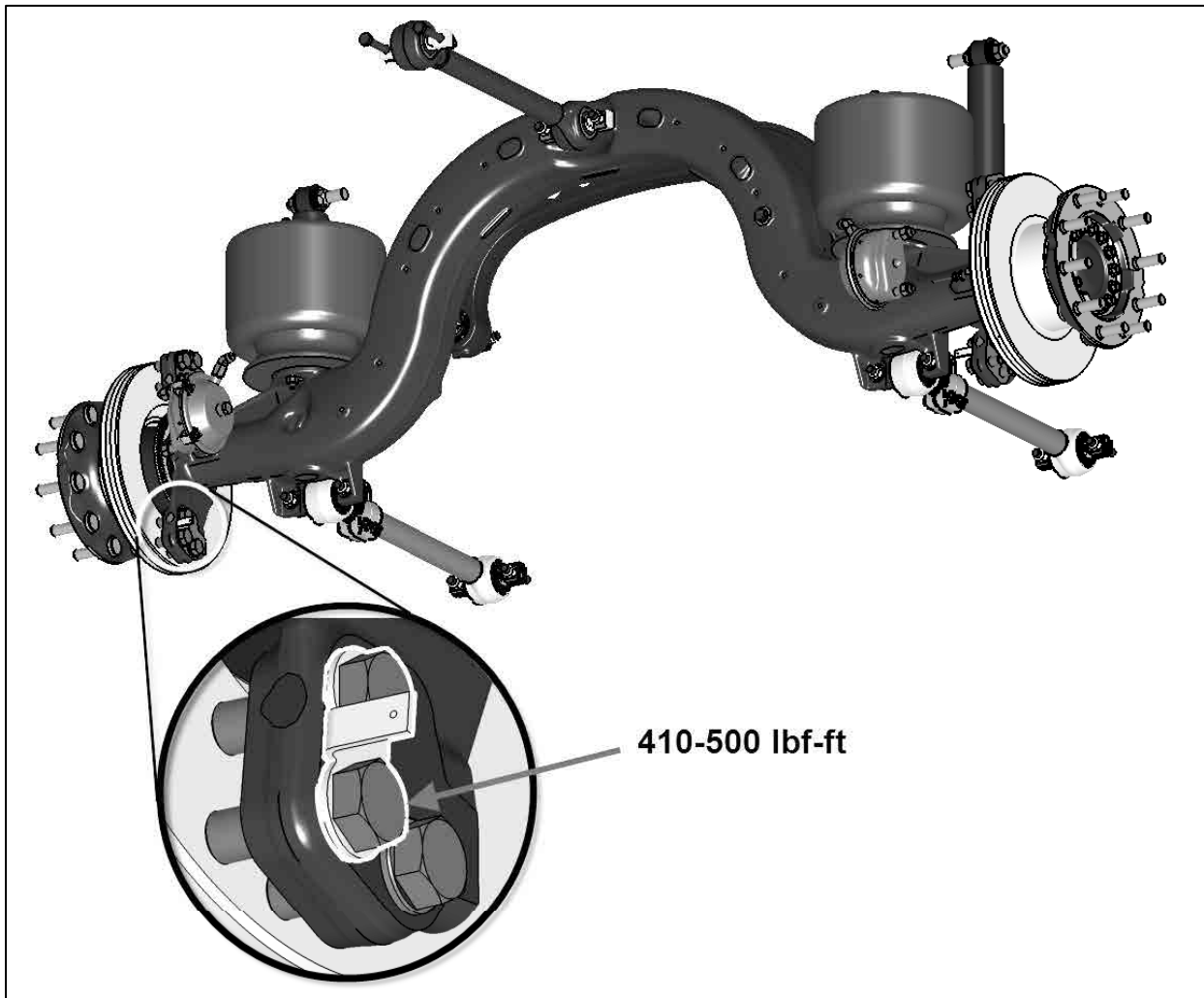


Figure 1

1. Lift the vehicle following safe methods and procedures.
2. On the tag axle, on the inside of the wheel, locate the visual brake wear indicator (Fig 1).
3. Remove and discard the old indicator. Install the new indicator.
4. **Tighten 410 to 500 lbf-ft.**
5. Apply torque seal mark on mounting bolts.

## PARTS / WASTE DISPOSAL

Return replaced parts to Prevost with A.F.A. for full reimbursement.

Date	Expiration	Release	Page
06.2014	06.2016	-	3(3)

Discard waste according to applicable environmental regulations (Municipal/State[Prov.]/ Federal)
---

## ESTIMATED TIME

The time required to perform this special bulletin is approximately 30 minutes.

## OTHER

VBC Bulletin	N/A
Fail Code	12.00
Defect Code	09
System Condition	B
Causal Part	110786

Prevost engages in a continuous program of testing and evaluating to provide the best possible product. Prevost, however, is not committed to, or liable for updating existing products.