

Date	Expiration	Release	Page
04.2014	04.2016	1	1(3)

Revision _: This document supersedes previous revisions.

SLIDING DOOR– INTERIOR POST FINISHING TRIMS Prevost vehicles

DESCRIPTION

On the vehicles affected by this bulletin, replace the sliding door interior post finishing trims as described in the following procedure.

MODEL YEAR(S) AND VEHICLES INVOLVED

NOTICE TO SERVICE CENTERS	
<i>Verify vehicle eligibility by checking warranty bulletin status with SAP or via ONLINE WARRANTY SYSTEM available on Service / Warranty tab of Prevost website.</i>	
Model	VIN
X3-45 Commuter Model Year : 2012	From 2PCG33495CC73 <u>5053</u> up to 2PCG33495CC73 <u>5232</u> incl.
<p><small>This bulletin does not necessarily apply to all the above-mentioned vehicles, some vehicles may have been modified before delivery. The owners of the vehicles affected by this bulletin will be advised by a letter indicating the Vehicle Identification Number (VIN) of each vehicle concerned.</small></p>	


MATERIAL NEEDED

Order kit “**SP14-304**” which includes the following parts:

Part No.	Description	Qty
314470	TRIM, RIGHT POST	1
314471	TRIM, LEFT POST	1

NOTE
<i>Material can be obtained through regular channels.</i>

REQUIRED TOOLS

PHILLIPS SCREWDRIVER


PROCEDURE



DANGER

Park vehicle safely, apply parking brake, stop engine. In the battery box, set the battery cut-off switch to the OFF position prior to working on the vehicle.

- 1) Remove the finishing trims shown on figure 1.

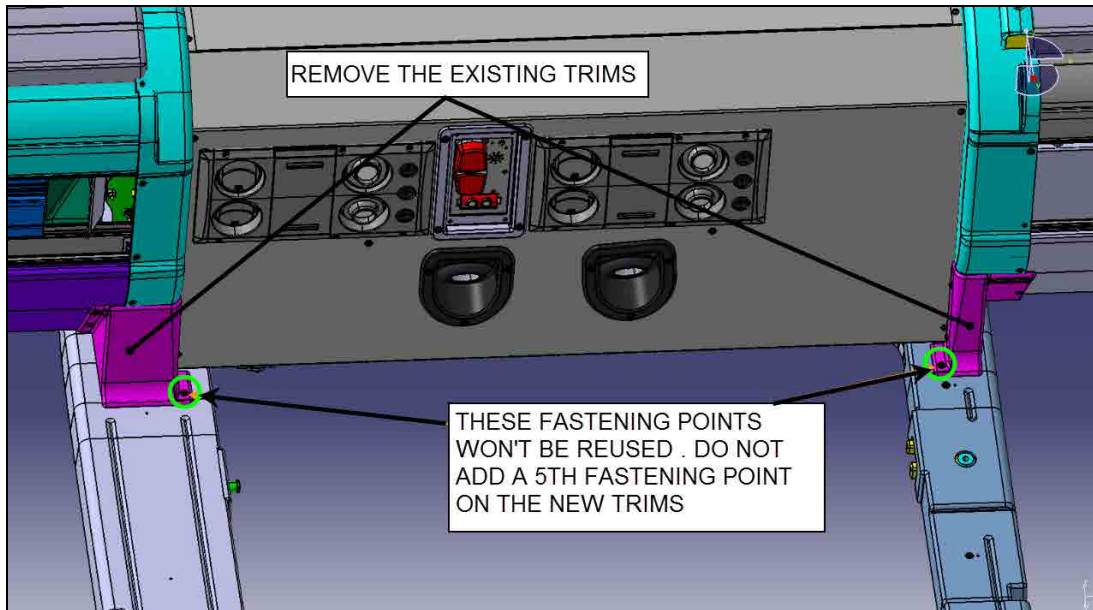


FIGURE 1

- 2) Install the new finishing trim similarly. Take note that each finishing trim has four fastening points instead of five like the previous version.

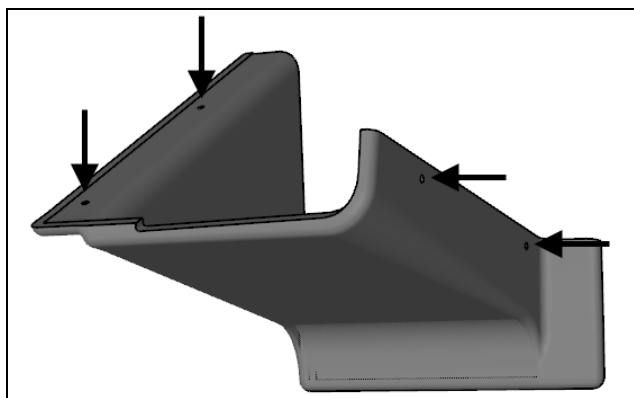


FIGURE 2: TRIM 314471, WITH 4 FASTENING POINTS

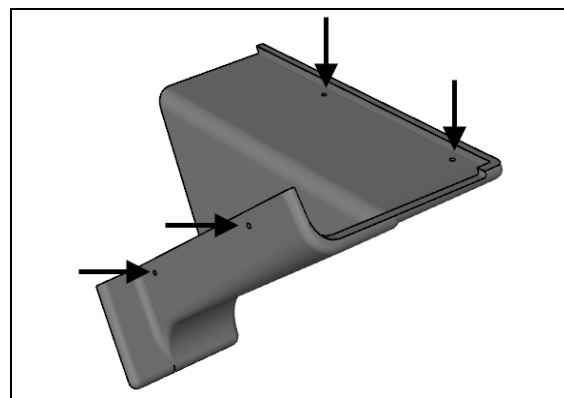


FIGURE 3 TRIM 314470, WITH 4 FASTENING POINTS

Date	Expiration	Release	Page
04.2014	04.2016	1	3(3)

PARTS / WASTE DISPOSAL

Discard waste according to applicable environmental regulations (Municipal/State[Prov.]/ Federal)

ESTIMATED TIME

The time required to perform this special bulletin is approximately 1/4 hour.

OTHER

VBC Bulletin	N/A
3Fail Code	18.02
Defect Code	09
System Condition	B
Causal Part	3200274

Prevost engages in a continuous program of testing and evaluating to provide the best possible product. Prevost, however, is not committed to, or liable for updating existing products.