



Countries: AUSTRALIA, CANADA, UNITED STATES, MEXICO, NEW ZEALAND
Availability: ISIS, FleetSIS
Major System: ACCESSORIES
Current Language: English
Other Languages: NONE
Viewed: 102

Document ID: IK1900233
Revision: 0
Created: 10/15/2014
Last Modified: 10/20/2014
Author: Kevin Kochanek

[Less Info](#)

Hide Details

Coding Information

Copy Link 	Copy Relative Link 	Bookmark View My Bookmarks	Add to Favorites 	Print 	Provide Feedback 	Helpful 1	Not Helpful 1
----------------------	-------------------------------	--	-----------------------------	------------------	-----------------------------	-------------------------	-----------------------------

Title: 16UZL No Idle HVAC Solution Parts Identification

Applies To: ProStar and LoneStar

CHANGE LOG

Please refer to the change log text box below for recent changes to this article:

10/16/2014 - Initial Article Release

DESCRIPTION

This document will guide the user through identifying the necessary parts required for repair of the 16UZL No Idle HVAC on unmodified and production vehicles as of 23 June 2014 as well as those updated with the kit.

NOTE:

Beginning on 23 June 2014, production changed to an updated No-Idle HVAC unit, harness, and mating battery harness. The table below can help identify what parts to order to ensure you have compatible components. The HVAC and battery harnesses connect to a 150A relay (Figure 1).

SYMPTOM(s)

Diagnostic Trouble Code(s) & Dashboard Indicator Light(s):Not

Not Applicable

DTC/Light	Description
Not Applicable	

Customer Observations or Concerns:

Not Applicable

SPECIAL TOOL(s) / SOFTWARE

Not Applicable

Tool Description	Tool Number	Comments	Instructions
Not Applicable			

SERVICE PARTS INFORMATION

See Repair Step(s)

Kit Description	Part Number	Quantity Required	Notes
See Table 1			

DIAGNOSTIC STEP(s)

Not Applicable

REPAIR STEP(s)

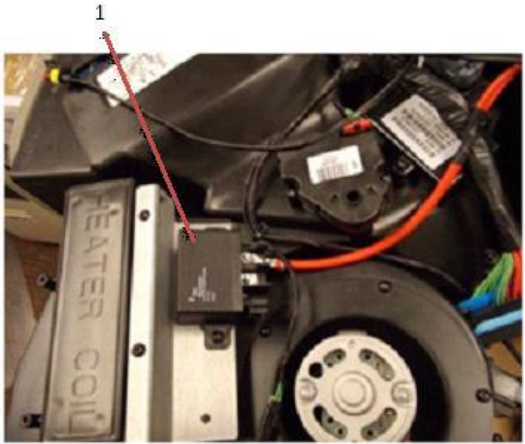


Figure 1. 150A Relay Identification.

Item 1: 150A relay

If a vehicle has the 150A relay (Figure 1, Item 1) on the HVAC unit, it either had the kit installed or was built after 23 June 2014. Please note that when replacing the full HVAC unit, the battery harness needs to be replaced if the vehicle did not have the 150A relay installed previously.

Table 1. Parts Identification.

16UZL No Idle Solution Harness	Unmodified HVAC Prior to 23 June 2014 Production (Refer to Figure 2)		Updated Production as of 23 June 2014 (Refer to Figure 3)		Vehicles Updated with Kit	
	Battery Harness	HVAC Harness	Battery Harness	HVAC Harness	Battery Harness	HVAC Harness

Failure of Battery Harness	New Battery Harness (see Battery Cable Matrix)	Bergstrom HVAC Service Kit (2513547C91 – Kit, Relay Assembly Field)	New Battery Harness (see Battery Cable Matrix)	N/A	New Battery Harness (see Battery Cable Matrix)	N/A
HVAC Harness Failure at 4-Way Connector, HVAC Fuse, or HVAC Relay (70A or 100A)	New Battery Harness (see Battery Cable Matrix)	Bergstrom HVAC Service Kit (2513547C91 – Kit, Relay Assembly Field)	N/A	N/A	N/A	N/A
HVAC Harness Failure (Not the 4-Way Connector, HVAC Fuse, 70A Relay, or 100A Relay)	New Battery Harness (see Battery Cable Matrix)	New HVAC Harness (Harness, Heater, Power 12V No-Idle Compressor Power – 2513931C91) and Bergstrom HVAC Service Kit (2513547C91 – Kit, Relay Assembly Field)	N/A	New HVAC Harness Only (Harness, Heater, Power 12V No-Idle Compressor Power – 2513931C91)	N/A	New HVAC Harness Only (Harness, Heater, Power 12V No-Idle Compressor Power – 2513931C91)
Replacement of HVAC Unit	New Battery Harness (see Battery Cable Matrix)	N/A	No Parts Needed	N/A	No Parts Needed	N/A

Table 2. Battery Cable Matrix.

Description	Part Number	OEM Part Number	Quantity Required	Battery Box and Fuel Tank Feature Code Without SCR
Cable, Battery, Bergstrom No Idle Short Sleeper	4047811C91	3838192C91	1	0008WRN, 0508062, or 0008TSN with 0016AUM or 0016AUS without 0015DPY
Cable, Battery, Bergstrom No Idle Long Sleeper	4047810C91	3838206C92	1	0008WRN, 0508062, 0008TSN, or 0008WRV with 0016AUN or 0016AUP without 0015DPY
Harness, Bergstrom No Idle Long Slpr, Vert Exh	4051667C91	3712820C91	1	0008WRN, 0508062, 0008TSN, or 000WRV with 0016AUN or 0016AUP with 0015DPL
Cable, Battery, Bergstrom No Idle, 6470MM	4051668C91	3878461C91	1	0008WJN or 0008WZV with 0016AUM or 0016AUS with F-Dual-BOC-Tank
Cable, Battery, Bergstrom No Idle, 5710MM	4051669C91	3847380C92	1	0008WJN or 0008WZV with 0016AUN or 0016AUP with F-Dual-BOC-Tank
Harness, Bergstrom No Idle Long Slpr, Vert Exh	4051670C91	3712850C91	1	0008WRN, 050862, or 0008TSN with 0016AUN or 0016AUP with 0015DPY
Cable, Battery, Bergstrom No Idle	4051671C91	3838548C91	1	0008WRN with LF51700

				Battery Box and Fuel Tank Feature Code With SCR
Cable, Battery, Bergstrom No Idle	4051671C91	3838548C91	1	0008XGG or 0008XGS with 0015DVX or 0015DVZ

NOTE:
 Beginning on 23 June 2014, production changed to an updated No-Idle HVAC unit, harness, and mating battery harness.

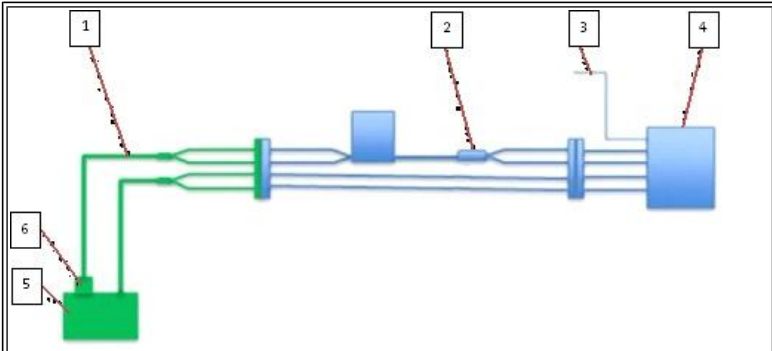


Figure 2. Unmodified HVAC Prior to 23 June 2014 Production.
 Item 1: Battery harness
 Item 2: HVAC power harness
 Item 3: GND wire
 Item 4: HVAC controller
 Item 5: Battery
 Item 6: 60A cube fuse

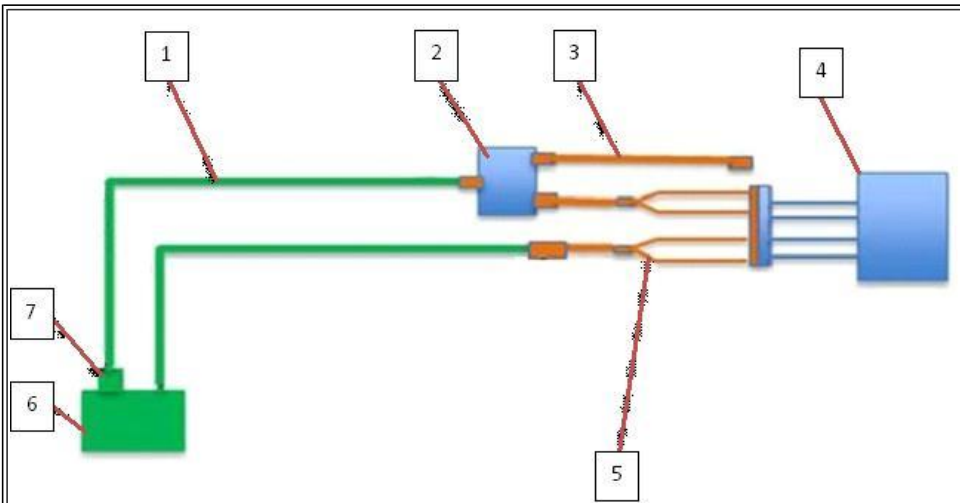


Figure 3. Updated Production as of 23 June 2014.
 Item 1: Battery harness
 Item 2: 150A relay
 Item 3: Relay control jumper harness
 Item 4: HVAC controller
 Item 5: HVAC power harness
 Item 6: Battery
 Item 7: 60A cube fuse

REMOVAL PROCEDURE:

Not Applicable

INSTALLATION PROCEDURE:

Not Applicable

WARRANTY INFORMATION

Warranty Claim Coding:

Group:	19030 - Auxiliary No Idle HVAC
Noun:	638 - Electric HVAC Module

Standard Repair Time(s):

Not Applicable

OTHER RESOURCES

[Master Service Information Site](#)

 Hide Details

Feedback Information

Viewed: 101
Helpful: 1
Not Helpful: 1

No Feedback Found