

1 2 18-14



Service Information Bulletin

SUBJECT	DATE
GHG14 Diesel Exhaust Fluid Pump Module Filter	February 2014

Additions, Revisions, or Updates

Publication Number / Title	Platform	Section Title	Change
DDC-SVC-MAN-0083	GHG14 DD Platform	Removal of the GHG14 Diesel Exhaust Fluid Pump Module Filter	Updated installation process to align with Cummins Service Solutions.
		Installation of the GHG14 Diesel Exhaust Fluid Pump Module Filter	

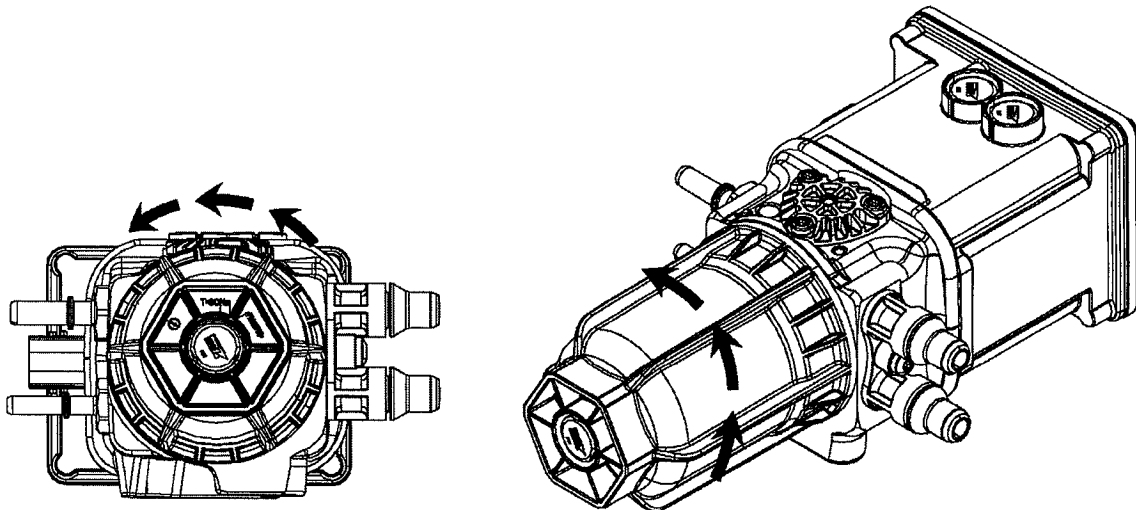


13400 Outer Drive, West, Detroit, Michigan 48239-4001
 Telephone: 313-592-5000
www.demanddetroit.com

2 Removal of the GHG14 Diesel Exhaust Fluid Pump Module Filter

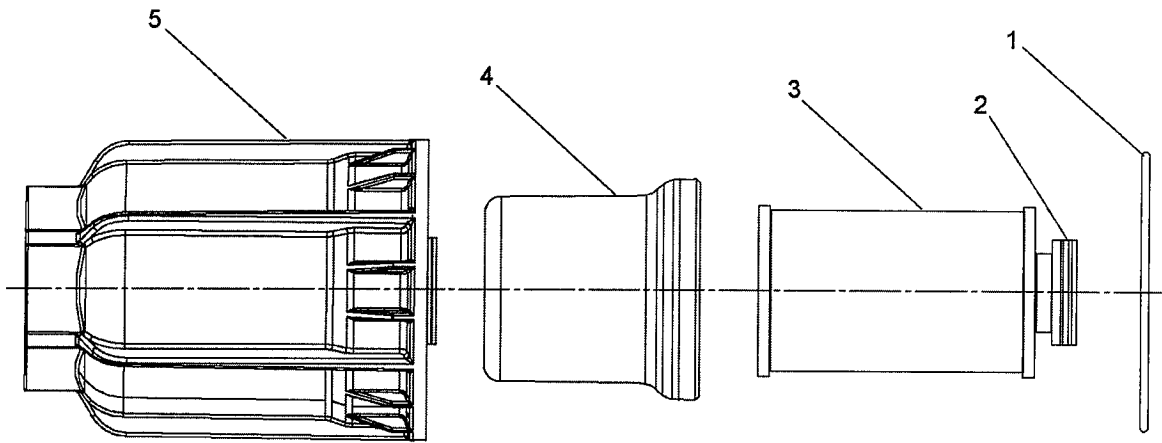
Remove as follows:

1. Shut off engine and apply the parking brake, chock the wheels, and perform any other applicable safety steps.
2. Remove the bolts fastening the DEF pump cover to the mounting bracket and remove cover.
3. Turning counterclockwise, unscrew and remove the Diesel Exhaust Fluid (DEF) pump filter cap (5) from the DEF pump module.



d140386

4. Remove the frost compensation membrane (4) from the pump housing.
5. Remove the filter cartridge (3) from the pump by slightly turning and pulling the cartridge.



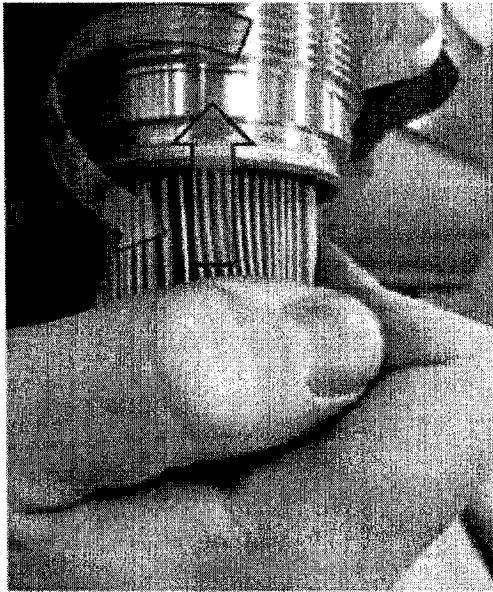
d140399a

3 Installation of the GHG14 Diesel Exhaust Fluid Pump Module Filter

Install as follows:

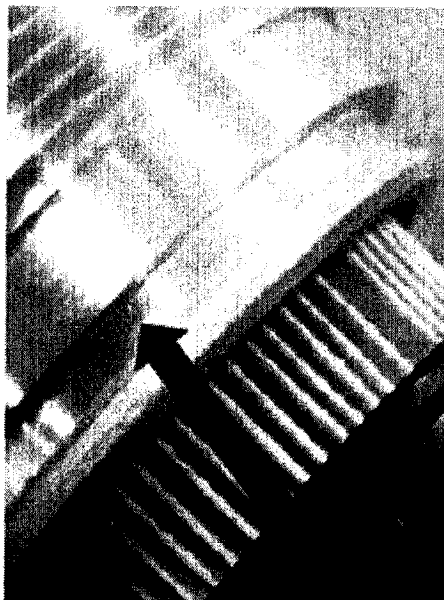
NOTICE: Do NOT lubricate the cartridge O-ring with the supplied Biolube; see right side of image below.

1. Install the DEF filter cartridge by twisting and pushing the cartridge over the aluminum pump bolt in the pump housing; see left side of image below.



d140455

2. Install the DEF frost compensation membrane over the filter cartridge; verify the sealing bead of the frost compensation membrane is fully seated in the pump housing groove.



d140461

3. Lubricate the sealing bead of the frost compensation membrane with the supplied Biolube.



d140456

4. Lubricate the threads on the DEF pump or filter housing with Biolube.



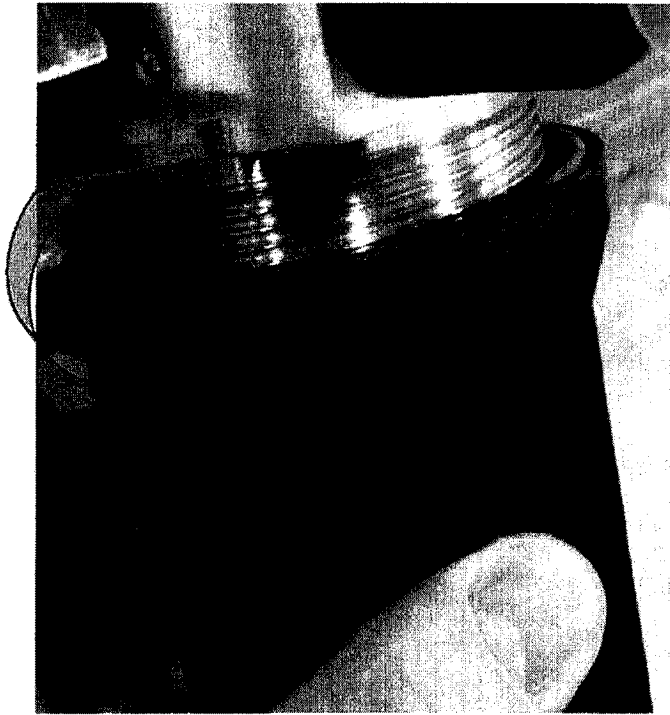
OR



d140460

NOTICE: Make sure O-ring sealing surface is clean and verify O-ring is not pinched after installation of DEF filter cap.

5. Install DEF filter cap and cap O-ring to the DEF pump module, turning clockwise. Torque to 80 N·m (59 lb·ft).



d140454

6. Install the DEF pump cover to the mounting bracket; torque the bolts to 20 N·m (15 lb·ft).

