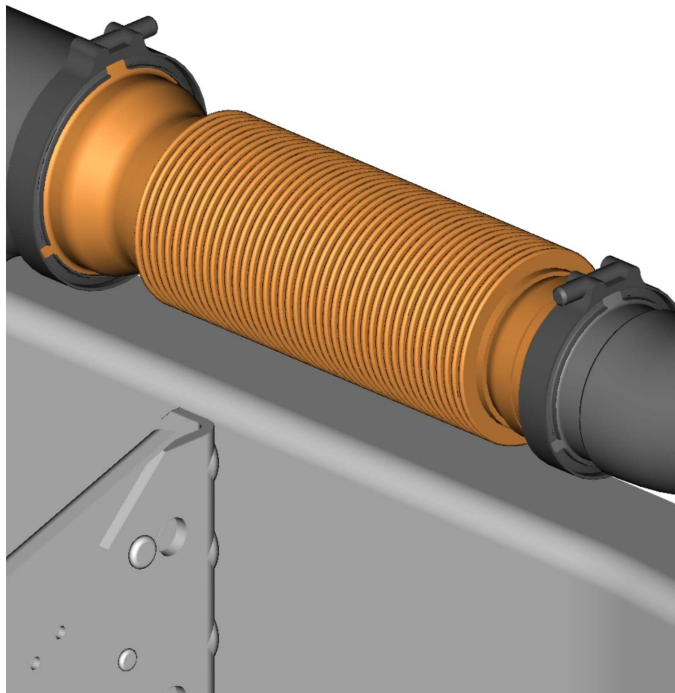


## Flex Pipe, Diesel Particulate Filter (DPF) Inlet VN

### SP 252-030, Flex Pipe, Diesel Particulate Filter (DPF) Inlet

(February 2014)



W2087508

Volvo Trucks has established that the fiber layer found in the flex pipe between the DPF and the engine turbocharger with Cummins ISX engines can deteriorate under certain conditions and may be drawn into the exhaust stream leading to a plugged DPF. A new flex pipe design has been released to address this issue and to increase the durability of the flex pipe. This campaign only covers the replacement of the flex pipe for vehicles built between April 1, 2013 and January 10, 2014.

### Parts Required

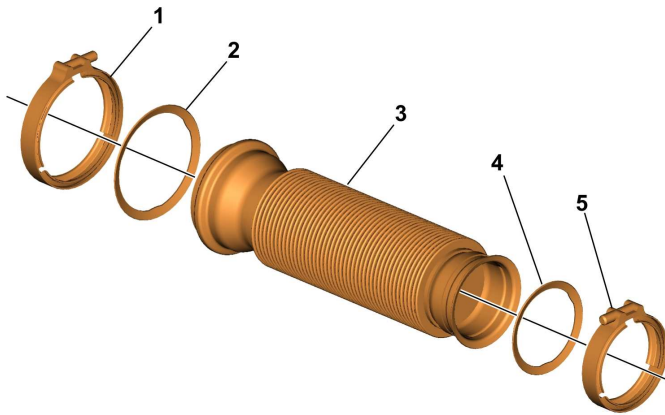
Part Number	Description	Quantity
22307703	Flex Pipe	1
21021852	V-Band Clamps	2
21095721	Gasket	2

## Procedure

You must read and understand the precautions and guidelines in Service Information, Function Group 20, "Engine Safety Practices" before performing this procedure. If you are not properly trained and certified in this procedure, ask your supervisor for training before you perform it.

**Note:** To obtain the optimum life from the pipe, it should be installed straight.

- 1 Secure the vehicle for service by parking it on a flat level surface, applying the parking brake, chocking the rear wheels, and placing the transmission in neutral.
- 2 Turn the front wheels all the way to the left.
- 3 Raise the hood.
- 4 Remove the right chassis side fairing as needed.
- 5 Remove right side splash shield/inner fender.
- 6 Loosen the diesel particulate filter (DPF) inlet pipe and turbocharger outlet pipe V-band clamps.



W2087509

1	Clamp
2	Gasket
3	Flex Pipe
4	Gasket
5	Clamp

- 7 Remove flex pipe, gaskets and V-band clamps.
- 8 Clean all gasket sealing surfaces.
- 9 Loosely install the new gaskets, flex pipe and V-band clamps. Align flex pipe before tightening clamps.

**Note:** Flex pipe **MUST** be installed as straight and parallel to the engine turbocharger outlet pipe and DPF inlet pipe as possible. Flex pipe should NOT be installed in a curved manner.

**Note:** DO NOT, pry on, excessively bend, flex or twist the flex pipe to install. Failure to follow these guidelines may lead to premature failure of the flex pipe.

**Note:** Loosen the engine turbocharger outlet pipe and adjust as needed to achieve correct alignment of the new pipe.

- 10 Tighten V-band clamps to  $8 \pm 2$  Nm ( $70 \pm 18$  in-lb).
- 11 Start engine. Check for exhaust leaks.
- 12 Install the right side splash shield/inner fender.
- 13 Install the right chassis side fairing if removed.
- 14 Close and latch the hood.

**Reimbursement**

<b>This repair is covered by an authorized Service Program. Reimbursement is obtained via the normal claim handling process.</b>	
<b>Claim Type (used only when uploading from the Dealer Bus. Sys.)</b>	B
<b>Recall Status</b>	
Vehicle inspected, repair not required	1- Inspected OK
Vehicle repaired per instruction	2- Modified per instruction
<b>Labor Code</b>	
Primary Labor Code	25218-0-01 — 0.7 hrs.
Time to take charge and determine campaign status	17003-0-01 — 0.3 hrs.
<b>Causal Part</b>	21959395
<b>Parts Disposition</b>	
<b>Authorization Number</b>	SP252030
<b>Expiration Date</b>	FEB-28-2015

**Note:** Take Charge Time is not included in the Labor Code for this operation. Take charge may be eligible but can only be used once per repair visit. If vehicle is having other warranty repairs performed, take charge should be charged to the warranty repair, otherwise take charge can be charged to this service program.