

Technical Service Bulletin



68 Noises from center console

68 14 14 2034517/2 July 17, 2014. Supersedes Technical Service Bulletin Group 68 number 13-10 dated July 16, 2013 for reasons listed below.

| Model(s) | Year | VIN Range | Vehicle-Specific Equipment |
|----------|-------------|-----------------|----------------------------|
| TT | 2010 - 2013 | 000001 - 999999 | All |
| TT | 2014 | 000001 - 000242 | All |

Condition

| REVISION HISTORY | | |
|------------------|-----------|---|
| Revision | Date | Purpose |
| 2 | - | Revised header data (Added new VIN break) |
| 1 | 7/16/2013 | Initial publication |

While driving the vehicle, the customer hears various noises coming from the center console area.

Technical Background

The noises are caused by too tight of a tolerance between the lower and upper portion of the center console (Figure 1).



Figure 1. No clearance between the upper and lower sections of the center console.

Production Solution

A worker instruction has been implemented for the production process.

Service

Adjust the console sections by following the instructions below. The objective is to eliminate the noise from this area by achieving a 1mm – 2mm clearance between the upper and lower sections of the center console:

1. Remove the covers that conceal the mounting bolts for the lower trim, then loosen the bolts for the center console side trim (Figure 2).



Figure 2. Mounting bolts for the console side trim.

2. Remove the center console trim (Figure 3). There are seven clip points.



Figure 3. Removing the center console trim.

3. Remove the Climatronic control module (Figure 4).



Note:

During removal of the control module, the rubber buffers can fall out. Ensure that these buffers are restored to their original positions when reinstalling the module.



Figure 4. Removing the Climatronic control module.

4. Remove the front center console (Figure 5).

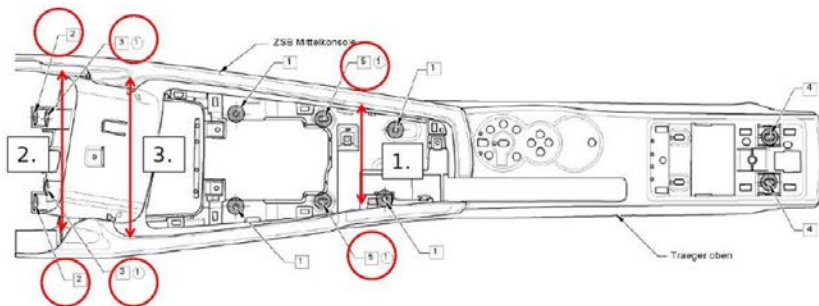


Figure 5. Front center console.

5. Move both adjusting elements into their basic position (Figure 6, arrow 1). Do not tighten. Loosen all 4 of the bolts for the mounting bracket (Figure 6, arrow 2). Push downward on the bracket to its lowest possible adjustment and retighten all 4 mounting bracket bolts.

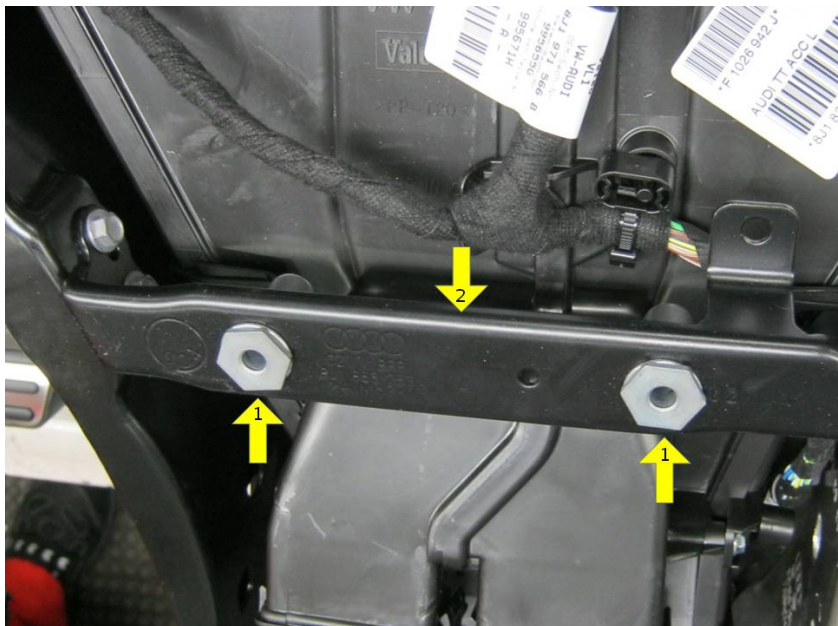


Figure 6. Center console mount with adjusting elements.

6. Reinstall the front center console. There should now be a gap of 1mm – 2mm between the upper and lower sections (Figure 7).



Figure 7. Gap achieved between the upper and lower sections of the center console after adjustment.

7. When reinstalling the center console trim, begin at the rear. Pull the left edge of the console away from the trim slightly when pressing into place (Figure 8).



Figure 8. Installation of the center console trim.

8. Working forward to the center of the console trim, again pull the left edge of the console away from the trim slightly when pressing into place (Figure 9).



Figure 9. Pressing in the left center portion of the console trim.

9. Pull the right edge of the console away from the right side of the trim when pressing the right side into place (Figure 10).



Figure 10. Pressing the right side of the console trim into place.

Technical Service Bulletin



Warranty

| | | | |
|--------------------------|--|--------------|-------|
| Claim Type: | Use applicable claim type. If vehicle is outside any warranty, this Technical Service Bulletin is informational only. | | |
| Service Number: | 6817 | | |
| Damage Code: | 0020 | | |
| Labor Operations: | Console remove+reinstall | 6817 1901 | 90 TU |
| | Adjust mounting bracket | 6817 9999 | 20 TU |
| Diagnostic Time: | GFF | No allowance | 0 TU |
| | Road test prior to service procedure | 0121 0002 | 10 TU |
| | Road test after service procedure | 0121 0004 | 10 TU |
| | Technical diagnosis at dealer's discretion (Refer to Section 2.2.1.2 and Audi Warranty Online for DADP allowance details) | | |
| Claim Comment: | As per TSB #2034517/2 | | |

All warranty claims submitted for payment must be in accordance with the *Audi Warranty Policies and Procedures Manual*. Claims are subject to review or audit by Audi Warranty.

Additional Information

All parts and service references provided in this TSB (2034517) are subject to change and/or removal. Always check with your Parts Department and service manuals for the latest information.