

Technical Service Bulletin



85 Side air vents inoperative and/or noisy during operation

85 14 21 2037052/1 April 17, 2014.

Model(s)	Year	VIN Range	Vehicle-Specific Equipment
A8	2010 - 2012	All	Not Applicable
A8	2013	000001 - 036261	Not Applicable

Condition

- There is no airflow from the outer vents.
- Noises may be heard from the side of the dash during operation.
- One or more of the following DTCs is stored in the air conditioning control module, J255 (address word 08):
 - **DTC B10D822** (regulator motor of defroster flap for right side window has exceeded upper limit)
 - **DTC B10D821** (regulator motor of defroster flap for right side window under lower limit)
 - **DTC B10D722** (regulator motor of defroster flap for left side window has exceeded upper limit)
 - **DTC B10D721** (regulator motor of defroster flap for left side window under lower limit)

Technical Background

The mechanical stop for vent linkage (Figure 1 and Figure 2) is broken, allowing for the linkage to extend past intended range of operation.



Figure 1. Good, non-broken component.



Figure 2. Broken component.

Production Solution

Air distribution housing linkage stop includes more ribbing for increased strength.

Service

Inspect the air distribution housing (Figure 3) and replace if broken. Follow instructions in Elsa repair manual.

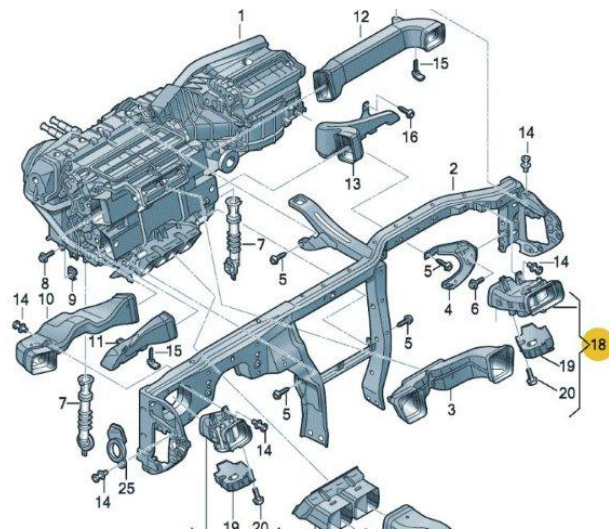


Figure 3. Air distribution housing.

Technical Service Bulletin



Warranty

Claim Type:	Use applicable claim type. If vehicle is outside any warranty, this Technical Service Bulletin is informational only.		
Service Number:	8555		
Damage Code:	0010		
Labor Operations:	Air vent outer remove + reinstall	8555 1901	110 TU
Diagnostic Time:	GFF – Checking and clearing fault codes included in existing labor operations	0150 0000	Time stated on diagnostic protocol (Max 20 TU)
	Technical diagnosis at dealer's discretion (Refer to Section 2.2.1.2 and Audi Warranty Online for DADP allowance details)		
Claim Comment:	As per TSB #2037052/1		

All warranty claims submitted for payment must be in accordance with the *Audi Warranty Policies and Procedures Manual*. Claims are subject to review or audit by Audi Warranty.

Required Parts and Tools

Part Number	Part Description	Quantity
4H1819353A	Air distribution housing - Left	1 (If applicable)
4H1819354A	Air distribution housing - Right	1 (If applicable)

Additional Information

All parts and service references provided in this TSB (2037052) are subject to change and/or removal. Always check with your Parts Department and service manuals for the latest information.