

October 31, 2014

BTB 00288 (1410)

Screech or Squeak When the Windows Are Raised or Lowered

AFFECTED VEHICLES

Year	Model	Trim	VIN Range
2007–13	MDX	ALL	ALL

SYMPTOM

There is a screech or squeak when the windows are raised or lowered.

POSSIBLE CAUSES

The lower seal on the door glass outer weatherstrip rolls over, causing a screech or squeak.

CORRECTIVE ACTION

Remove the lower seal from each of the four door glass outer weatherstrips.

WARRANTY CLAIM INFORMATION

The normal warranty applies.

Operation Number	Description	Flat Rate Time	Template ID	Failed Part Number
8261B7	Remove the lower seal from the four door glass outer weatherstrips.	0.4 hr	14-043A	72410-STX-A11

Defect Code: 00401

Symptom Code: 04219

Skill Level: Repair Technician

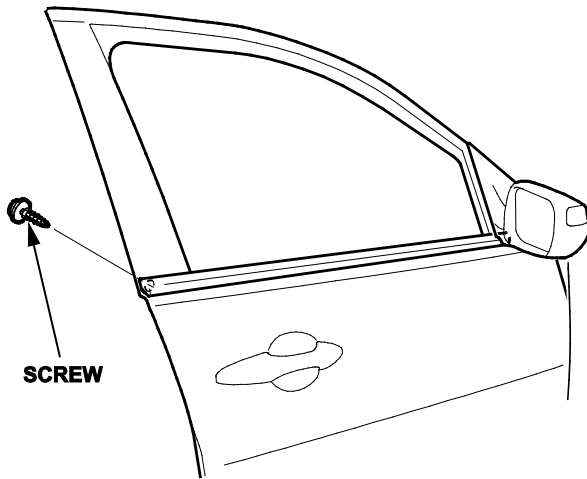
CLIENT INFORMATION: The information in this bulletin is intended for use only by skilled technicians who have the proper tools, equipment, and training to correctly and safely maintain your vehicle. These procedures should not be attempted by “do-it-yourselfers,” and you should not assume this bulletin applies to your vehicle, or that your vehicle has the condition described. To determine whether this information applies, contact an authorized Acura automobile dealer.

REPAIR PROCEDURE

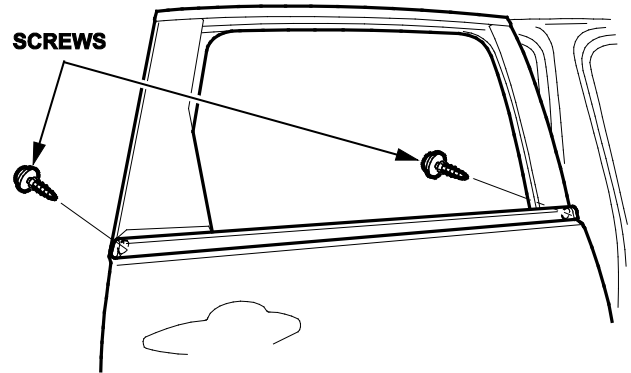
1. Lower all four windows.
2. Remove the screw(s) attaching the door glass outer weatherstrip.

NOTE: The front doors have one screw and the rear doors have two screws attaching the outer weatherstrip moldings.

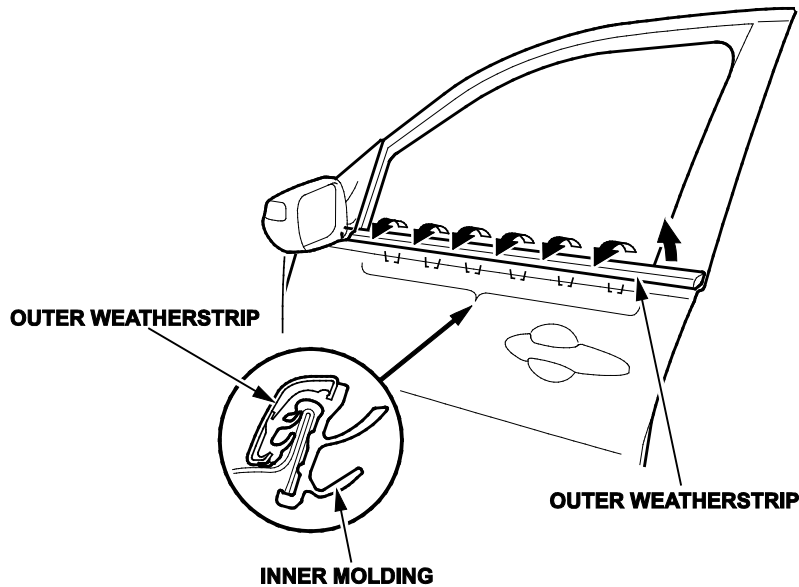
Front Door:



Rear Door:

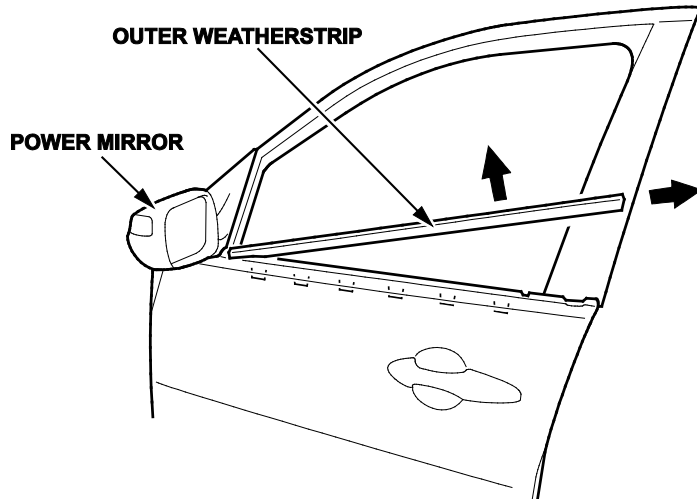


3. Starting at the rear, pull up on the door glass outer weatherstrip at each area where the inner molding catches the inside edge of the window slot.

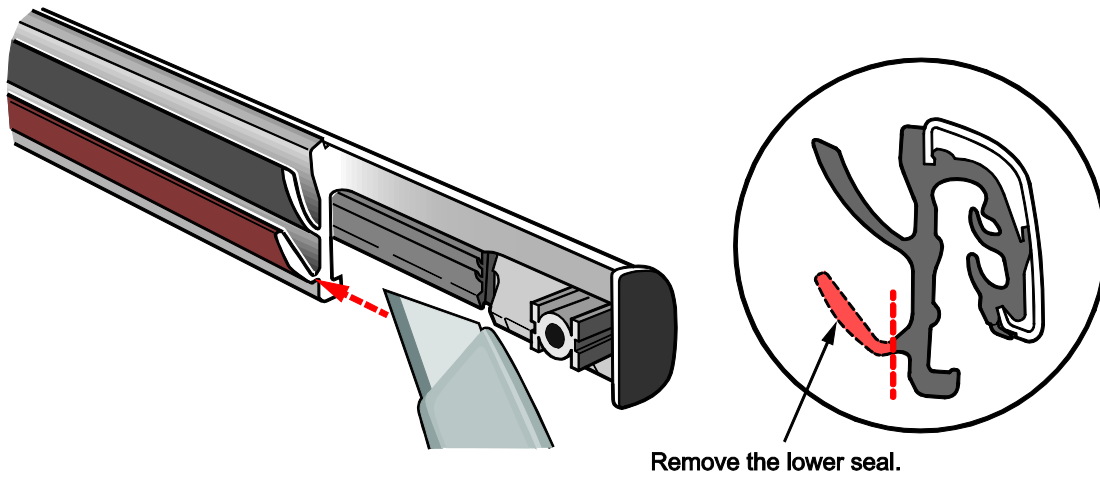


4. Lift the rear part of the door glass outer weatherstrip away from the door, then pull the front end of it out from under the power mirror.

NOTE: Front door is shown; rear door is similar.



5. Using a utility knife, remove the entire lower seal from the molding.



6. Reinstall the outer door glass weatherstrip.
 7. Repeat steps 2 thru 6 for the other outer door glass weatherstrips.
- END.