

WE07 - Replacing Cover for Door Arrester (Workshop Campaign)

Model Line: **911 (991)**

Model Year: **As of 2012 up to 2014**

Concerns: **Cover for door arrester**

Information: This is to inform you of a voluntary Workshop Campaign on the above-mentioned vehicles. **There is a possibility that covers for the door arresters that do not conform to the high quality standards of Porsche AG may have been installed on the affected vehicles.**

In the event of unfavourable tolerances, this can cause the cover for the door arrester to loosen from the catch.

Action Required: Replace cover for door arrester at the left and right.

Affected Vehicles: The VIN(s) can be checked by using PIWIS Vehicle Information link to verify if the campaign affects the vehicle. This campaign is scope specific to the VIN! Failure to verify in PIWIS may result in an improper repair. This campaign affects 15,760 vehicles in North America.

Parts Info: **NOTE: PARTS FOR THIS CAMPAIGN WILL BE AUTOMATICALLY ALLOCATED FOR UP TO 50% OF THE VEHICLES THAT ARE SERVICED AT YOUR DEALERSHIP. ONCE YOUR DEALERSHIP IS OUT OF STOCK AND REQUIRES ADDITIONAL PARTS, YOU SHOULD SUBMIT A PTEC/PAV.**

- 000.043.303.42 1EO ⇒ Cover for door arrester (left) 1 ea.
- 000.043.303.43 1EO ⇒ Cover for door arrester (right) 1 ea.

Tools:

- **Nr.90 Pos.3 - Torque wrench** (10 - 60 Nm/7.5 - 44 ftlb.)
- **Nr.49-1 - Torx screw tool set**
- Plastic wedge

Work Procedure: See Attachment "A".

Claim Submission: See Attachment "B".

Attachment "A": **Work Procedure**

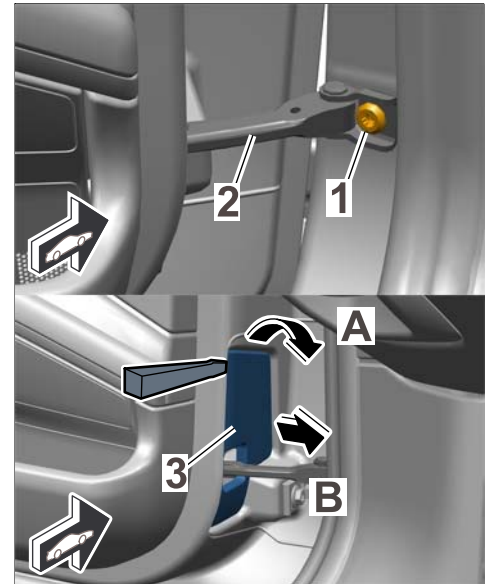
- 1 Open the left door fully and secure it to prevent it from closing accidentally.

- 2 Remove cover for door arrester at the left.
 - 2.1 Unscrew and remove fastening screw ⇒ *Removing cover for door arrester -1-* on the door arrester ⇒ *Removing cover for door arrester -2-*.
 - 2.2 Unclip cover for door arrester ⇒ *Removing cover for door arrester -3-* using a plastic wedge in the upper area ⇒ *Removing cover for door arrester -arrow A-* and remove it ⇒ *Removing cover for door arrester -arrow B-*.

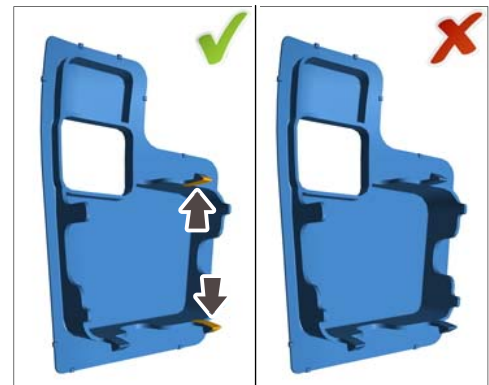


Information

A felt strip **must** be affixed close to each of the locking lugs ⇒ *Cover for door arrester - new/old -arrows-* on the new cover for the door arrester as shown.



Removing cover for door arrester



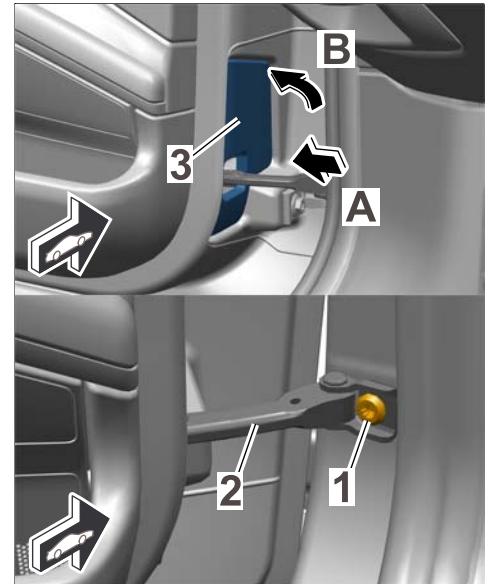
Cover for door arrester - new/old

3 Install new cover for door arrester at the left, Porsche Part No. **000.043.303.42 1E0**.

3.1 Guide in cover for door arrester ⇒ *Installing cover for door arrester -3-* on the door arrester ⇒ *Installing cover for door arrester -arrow A-*.

Then press the cover onto the door ⇒ *Installing cover for door arrester -arrow B-* until the locking lugs engage securely in the door frame.

3.2 Position door arrester ⇒ *Installing cover for door arrester -2-* on the A-pillar and secure with the fastening screw ⇒ *Installing cover for door arrester -1-*. **Tightening torque 35 Nm (26 ftlb.)**



Installing cover for door arrester

4 Install new cover for door arrester at the right, Porsche Part No. **000.043.303.43 1E0**.

To do this, repeat Steps 1 to 3 on the right-hand side of the vehicle.

5 Enter the workshop campaign in the Warranty and Maintenance booklet.

Attachment "B": **Claim Submission** - Workshop Campaign WE07

Warranty claims should be submitted via WWS/PQIS.

Open campaigns may be checked by using either the PIWIS Vehicle Information system or through PQIS Job Creation.

Labor, parts, and sublet will be automatically inserted when Technician is selected in WWS/PQIS. If necessary, the required part numbers will need to be manually entered into warranty system by the dealer administrator.

Working time:

Replacing cover for door arrester at the left and right
Includes: Loosening and securing door arrester

Labor time: **10 TU**

Parts required:

000.043.303.42 1E0	Cover for door arrester (left)	1 ea.
000.043.303.43 1E0	Cover for door arrester (right)	1 ea.

⇒ Damage code WE07 066 000 2

Important Notice: Technical Bulletins issued by Porsche Cars North America, Inc. are intended only for use by professional automotive technicians who have attended Porsche service training courses. They are written to inform those technicians of conditions that may occur on some Porsche vehicles, or to provide information that could assist in the proper servicing of a vehicle. Porsche special tools may be necessary in order to perform certain operations identified in these bulletins. Use of tools and procedures other than those Porsche recommends in these bulletins may be detrimental to the safe operation of your vehicle, and may endanger the people working on it. Properly trained Porsche technicians have the equipment, tools, safety instructions, and know-how to do the job properly and safely. If a particular condition is described, do not assume that the bulletin applies to your vehicle, or that your vehicle will have that condition. See your authorized Porsche Dealer for the latest information about whether a particular technical bulletin applies to your vehicle. Part numbers listed in these bulletins are for reference only. Always check with your authorized Porsche dealer to verify the current and correct part numbers. The work procedures updated electronically in the Porsche PIWIS diagnostic and testing device take precedence and, in the event of a discrepancy, the work procedures in the PIWIS Tester are the ones that must be followed.

© Porsche Cars North America, Inc.

Dealership	Service Manager	Shop Foreman	Service Technician				
Distribution							
Routing	Asst. Manager	Warranty Admin.	Service Technician				

Dr. Ing. h.c. F. Porsche AG is the owner of numerous trademarks, both registered and unregistered, including without limitation the Porsche Crest®, Porsche®, Boxster®, Carrera®, Cayenne®, Cayman®, Macan®, Panamera®, Speedster®, Spyder®, 918 Spyder®, Tiptronic®, VarioCam®, PCM®, PDK®, 911®, RS®, 4S®, FOUR, UNCOMPROMISED®, and the model numbers and the distinctive shapes of the Porsche automobiles such as, the federally registered 911 and Boxster automobiles. The third party trademarks contained herein are the properties of their respective owners. Porsche Cars North America, Inc. believes the specifications to be correct at the time of printing. Specifications, performance standards, standard equipment, options, and other elements shown are subject to change without notice. Some options may be unavailable when a car is built. Some vehicles may be shown with non-U.S. equipment. The information contained herein is for internal authorized Porsche dealer use only and cannot be copied or distributed. Porsche recommends seat belt usage and observance of traffic laws at all times.

Printed in the USA