



Countries: CANADA, COLOMBIA, UNITED STATES, PUERTO RICO
Availability: ISIS, Bus ISIS
Major System: ACCESSORIES
Current Language: English
Other Languages: [Français](#), [Español](#),
Viewed: 988

Document ID: IK1900055
Revision: 3
Created: 9/17/2007
Last Modified: 6/11/2014
Author: Chris Moody

[Less Info](#)

Hide Details

Coding Information

Copy Link	Copy Relative Link	Bookmark	Add to Favorites	Print	Provide Feedback	Helpful	Not Helpful
		 View My Bookmarks				 120	 237

Title: New Design Steering Wheel Switches for CE Bus Models TSI 060801

Applies To: Model: CE 200 **Start Date:** 03/01/2004 **End Date:** 10/24/2005 **CE 300**
Start Date: 03/01/2004 **End Date:** 10/24/2005

DESCRIPTION

Two new design steering wheel door/flasher switches are now available from the PDC. These switches are replacements for the existing switches and provide improved service life.

PARTS INFORMATION

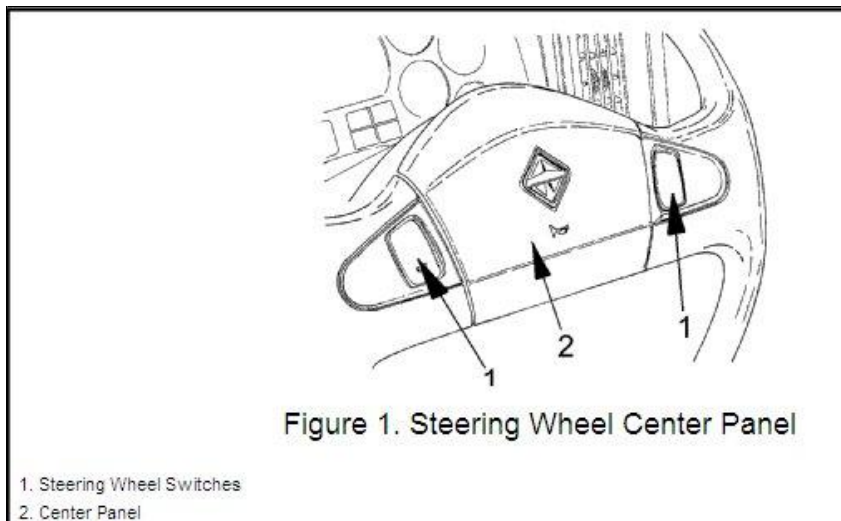
New Part Number	Old Part Number	Description
2590927C1	2586626C1	Switch, Door/Flasher Steering Wheel (Left)
2590928C1	2586627C1	Switch, Door/Flasher Steering Wheel (Right)

NOTE:

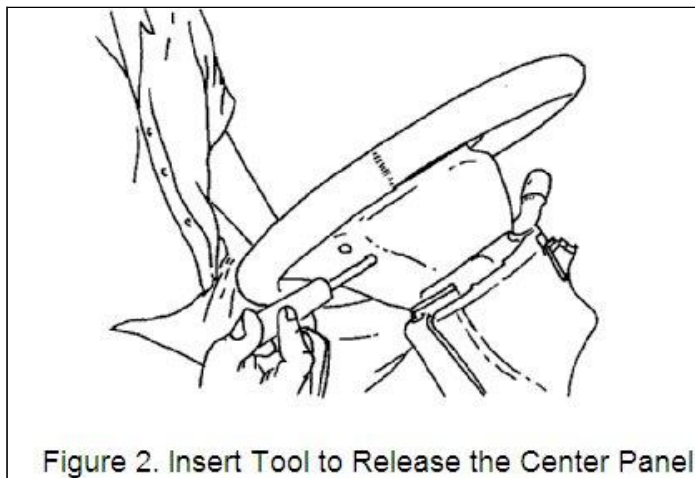
If the CE bus was manufactured before April 1, 2005 re-flash the ESC with the latest Feature Set V42 or greater after the switch is replaced.

Service Procedure

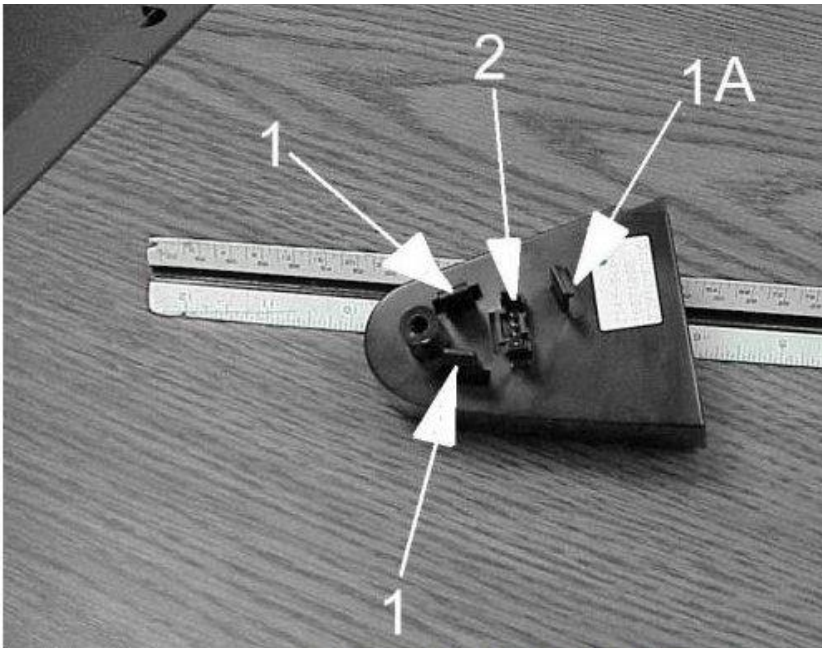
- To remove and replace the steering wheel switches, the center panel must be removed (Figure 1).



2. Insert a Phillips head screw driver or equivalent tool into the hole shown in Figure 2 to release (Note: There are four holes, two on each side) the steering wheel center panel. Remove the center panel (Figure 3).



3. Carefully release the switch locking tab as viewed in Figure 4 and slide the switch toward the center of the steering wheel to disengage the remaining locking tabs. Disconnect the switch harness connector and remove the switch.



**Figure 4. Bottom Side of Switch
(Left Hand Steering Wheel Position Shown)**

- 1. Locking Tabs
- 1A. Release this Tab First
- 2. Switch Connector

Bus lights come on when door is open red lights won't turn off red lights door switch Flashers Activate Unexpectedly When the Door Switch is Activated on the Steering Wheel

 Hide Details

Feedback Information

Viewed: 987
 Helpful: 120
 Not Helpful: 237

No Feedback Found

Copyright © 2014 Navistar, Inc.