

REFERENCE:	Nova Bus Manuals
SECTION:	17: Radio and accessories
RS N°:	MQR 7621-641
EFFECTIVE IN PROD.:	–

APPLICATION DEADLINE: NA

SUBJECT:	Exterior speaker.
JUSTIFICATION:	Exterior speaker may stop working.

LEVEL	DESCRIPTION	DIRECT CHARGES		TIME
		LABOUR	MATERIAL	
1	Replace the exterior speaker.	Client	Client	30 min
2	–	–	–	–

MATERIAL

QTY	PART N°	REV.	DESCRIPTION	REPLACES PART N°
LEVEL 1				
1	N77785	–	Speaker c/w connector	N44853
2	N32690	–	Rivets	–
1	N44478	–	Wall plate	–
LEVEL 2				
–	–	–	–	–

Materials will be available within 28 days. To order, please contact Prevost Parts by phone at 1-800-771-6682, by fax at 1-888-668-2555 or by email at prevostparts.commandes@volvo.com. Specify document number, quantity of parts required and shipping address.

DISPOSAL OF PARTS

REMOVED PARTS ARE:	DISCARDED *	RETAINED	* Dispose of the unused parts and the defective parts in accordance with local environmental standards in effect.
	Yes	–	

REVISION HISTORY

REV.	DATE	CHANGE DESCRIPTION	WRITTEN BY
NR	2014MR24	Initial release	Bertrand Plouffe

CLIENT	ORDER	ROAD NUMBER		VIN (2NVY/4RKY...)		QTY
		FROM	TO	FROM	TO	
New York City Transit - New York	L536	1200	1201	S92U793000490	S92U993000491	2
New York City Transit - New York	L545	1202	1289	S92U5A4000001	S92U0A4000098	88
New York City Transit - New York	L608	8000	8014	L82U6B4000047	L82U0B4000061	15
New York City Transit - New York	L620	8015	8074	L82U2B4000062	L82U7B4000123	60
New York City Transit - New York	L621	8075	8089	L82U9B4000124	L82U9B4000138	15

**WARNING**

Follow your internal safety procedures.

PROCEDURE

1.1. Locate the exterior speaker. See Figure 1.

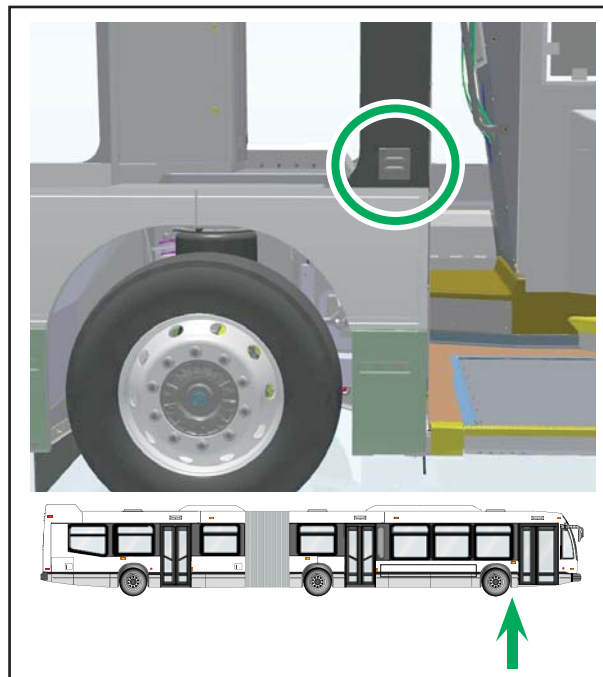


Figure 1 - Exterior Speaker Location

1.2. Remove the speaker wall plate screws (4x). Discard the wall plate. Retain the screws. See Figure 2.

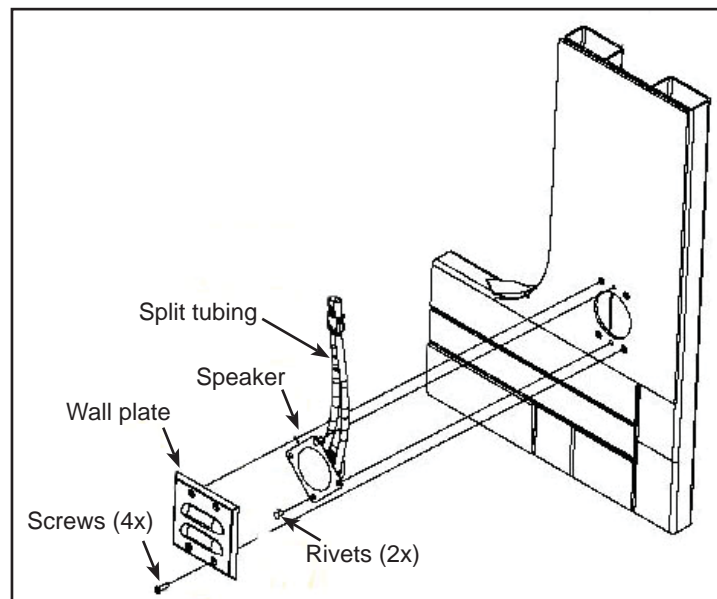


Figure 2 - Speaker Assembly

- 1.3. Remove the speaker by drilling the two rivets.
- 1.4. Disconnect the speaker.
- 1.5. Remove the split tubing around the speaker cable. See Figure 2. Retain the tubing.
- 1.6. Thoroughly remove the old sealant from the bus.
- 1.7. Install the retained split tubing on the new N77785 speaker.
- 1.8. Connect the speaker.
- 1.9. Install the speaker using two N32690 rivets.
- 1.10. Apply N32989 butyl sealant, or equivalent, on the top, left and right sides of the new N44478 wall plate back. See Figure 3.

**NOTE**

DO NOT APPLY sealant on the bottom of the wall plate.

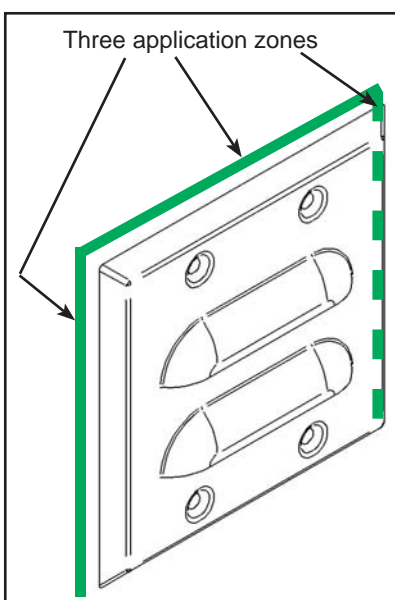


Figure 3 - Sealant Application Zones on Wall Plate Back

- 1.11. Install the wall plate using the retained screws.
- 1.12. The vehicle may be returned to service. ❖