



Countries: CANADA, UNITED STATES, PUERTO RICO
Availability: ISIS
Major System: CAB / SLEEPER / HOOD
Current Language: English
Other Languages: [Français](#), [Español](#),
Viewed: 237

Document ID: IK1600063
Revision: 2
Created: 10/16/2007
Last Modified: 3/12/2014
Author: Patrick Gotschall

[Less Info](#)

Hide Details

Coding Information

Copy Link	Copy Relative Link	Bookmark	Add to Favorites	Print	Provide Feedback	Helpful	Not Helpful
		 View My Bookmarks				 34	 65

Title: ProStar Sleeper Curtain Getting Sucked into HVAC Duct

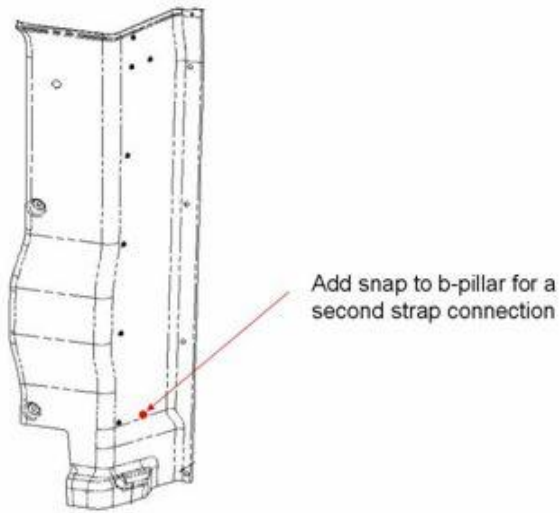
Applies To: ProStar

Issue:

Short sleeper passenger curtain gets sucked into HVAC intake.

Repair:

- Add additional snap to RH b-pillar in short sleeper.
- Use an additional strap to secure lower half of curtain, part number 3562663C1.



 Hide Details

Feedback Information

Viewed: 236

Helpful: 34

Not Helpful: 65

No Feedback Found

Copyright © 2014 Navistar, Inc.