

December 18, 2014

BTB 00236-01289 REV1(1412)

## Safety Recall: Front Seatbelts Will Not Extend or Retract Properly in Extremely Cold Weather

Supersedes 14-038, dated October 8, 2014, to revise the information highlighted in **yellow**

### AFFECTED VEHICLES

Year	Model	Trim	VIN Range
2014–15	MDX	ALL	Check the iN VIN status for eligibility
2014	RLX	ALL	Check the iN VIN status for eligibility

### REVISION SUMMARY

Under PARTS INFORMATION, some of the RLX color names were changed.

### BACKGROUND

In extremely cold weather, -4 °F (-20 °C), interference in the front seat belt retractor mechanism may not allow the front seat belt to extend or retract properly.

### CLIENT NOTIFICATION

Owners of affected vehicles will receive a notification of this campaign.

Do an iN VIN status inquiry to make sure the vehicle is shown as eligible.

Some vehicles affected by this campaign may be in your used vehicle inventory. These vehicles must be repaired before they are sold.

Should your dealership sell an unrepaired vehicle that subsequently causes injury or damage because of the recalled item, the dealership will be solely responsible to the damaged party, and will be required to defend and indemnify American Honda for any resulting claims. To see if a vehicle in inventory is affected by this recall, do a VIN status inquiry before selling it.

### CORRECTIVE ACTION

Replace both front seat belt tensioners/E-pretensioners.

**CLIENT INFORMATION:** The information in this bulletin is intended for use only by skilled technicians who have the proper tools, equipment, and training to correctly and safely maintain your vehicle. These procedures should not be attempted by “do-it-yourselfers,” and you should not assume this bulletin applies to your vehicle, or that your vehicle has the condition described. To determine whether this information applies, contact an authorized Acura automobile dealer.

## PARTS INFORMATION

NOTE: Make sure that you order parts by VIN to ensure that you receive the correct part for the applicable trim and color.

Part Name	Color	Part Number	Quantity
Pillar Clip (MDX only)		91561-TA5-A01	2
MDX Driver's Seat Belt Tensioner: Base SH-AWD Tech Tech SH-AWD Tech with Entertainment Tech with Entertainment SH-AWD	Sandstorm	04818-TZ5-A00ZA	1
	Light Jewel Gray	04818-TZ5-A00ZB	1
	Premium Black	04818-TZ5-A00ZC	1
	Eucalyptus	04818-TZ5-A00ZD	1
MDX Front Passenger's Seat Belt Tensioner: Base SH-AWD Tech Tech SH-AWD Tech with Entertainment Tech with Entertainment SH-AWD	Sandstorm	04814-TZ5-A00ZA	1
	Light Jewel Gray	04814-TZ5-A00ZB	1
	Premium Black	04814-TZ5-A00ZC	1
	Eucalyptus	04814-TZ5-A00ZD	1
MDX Driver's Seat Belt E-Pretensioner: Advance with Entertainment Advance with Entertainment SH-AWD	Sandstorm	04818-TZ5-A60ZA	1
	Light Jewel Gray	04818-TZ5-A60ZB	1
	Premium Black	04818-TZ5-A60ZC	1
	Eucalyptus	04818-TZ5-A60ZD	1
MDX Front Passenger's Seat Belt E-Pretensioner: Advance with Entertainment Advance with Entertainment SH-AWD	Sandstorm	04814-TZ5-A60ZA	1
	Light Jewel Gray	04814-TZ5-A60ZB	1
	Premium Black	04814-TZ5-A60ZC	1
	Eucalyptus	04814-TZ5-A60ZD	1
RLX Driver's Seat Belt Tensioner: Base Base with Navigation Tech Tech with Audio	Black	04818-TY2-A00ZC	1
RLX Front Passenger's Seat Belt Tensioner: Base Base with Navigation Tech Tech with Audio	Black	04814-TY2-A00ZC	1
RLX Driver's Seat Belt Tensioner: Tech	Gray	04818-TY2-A00ZF	1
RLX Front Passenger's Seat Belt Tensioner: Tech	Gray	04814-TY2-A00ZF	1
RLX Driver's Seat Belt Tensioner: Tech Tech With Audio	Off-White	04818-TY2-A00ZH	1

RLX Front Passenger's Seat Belt Tensioner: Tech Tech With Audio	Off-White	04814-TY2-A00ZH	1
RLX Driver's Seat Belt E-Pretensioner: Advance	Black	04818-TY2-A10ZC	1
	Gray	04818-TY2-A10ZF	1
	Off-White	04818-TY2-A10ZH	1
RLX Front Passenger's Seat Belt E-Pretensioner: Advance	Black	04814-TY2-A10ZC	1
	Gray	04814-TY2-A10ZF	1
	Off-White	04814-TY2-A10ZH	1

## REQUIRED TOOLS

Part Name	Part Number	Quantity
Seat Belt Disassembly Tool (MDX only) (includes seat belt disassembly tool plate and seat belt disassembly tool pin)	07AAF-SNAA150	1

## WARRANTY CLAIM INFORMATION

Year/Model	Operation Number	Description	Flat Rate Time	Defect Code	Symptom Code	Failed Part Number
2014–15 MDX	854117	Replace both front seat belt tensioners/ e-pretensioners.	1.0 hr	5ZY00	JK700	04814-TZ5-A00ZA
2014 RLX	854117		1.0 hr	5ZY00	JK800	04814-TY2-A00ZC

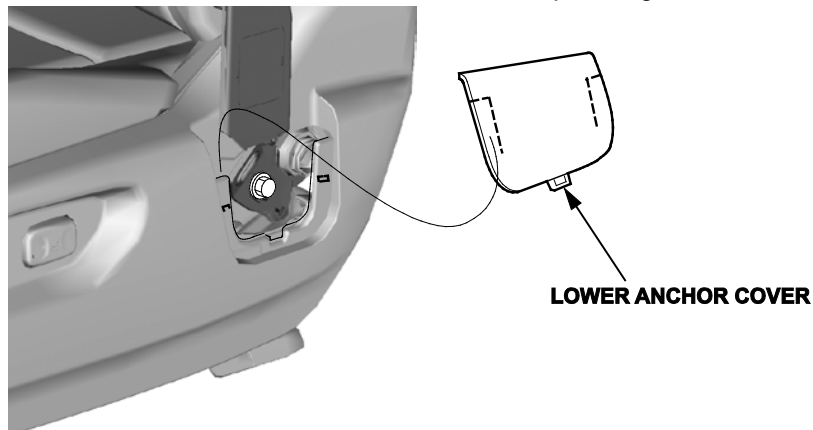
Skill Level: Repair Technician

## REPAIR PROCEDURE

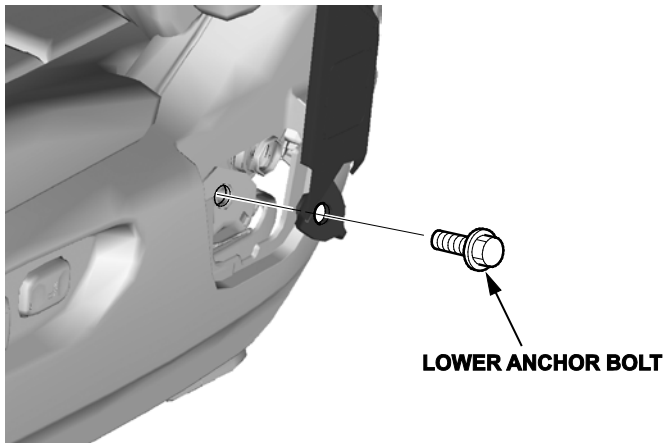
NOTE: MDX is shown; RLX is similar.

1. Do the battery terminal disconnection procedure.
2. Remove the seat belt lower anchor covers.

NOTE: Remove the MDX driver's side cover only. After you remove the lower anchor bolt in step 3, go to step 4 to disconnect the lower anchor connector on the passenger's side.

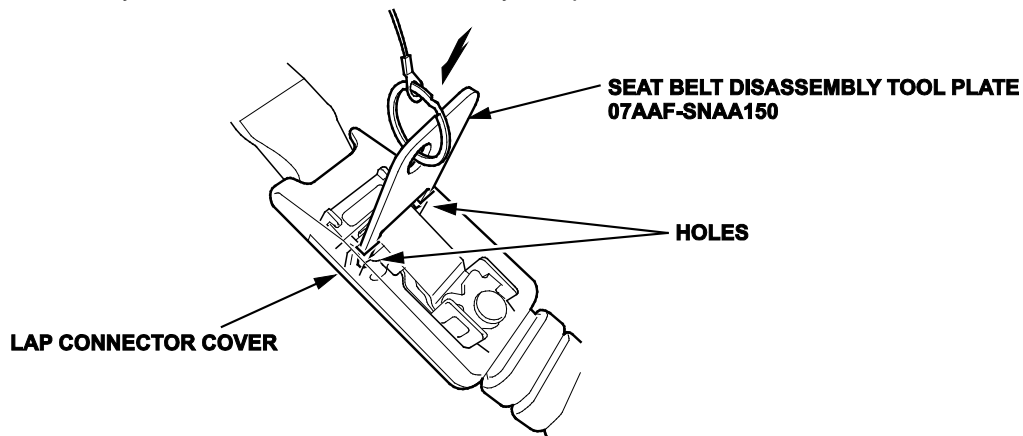


3. Remove the lower anchor bolt.

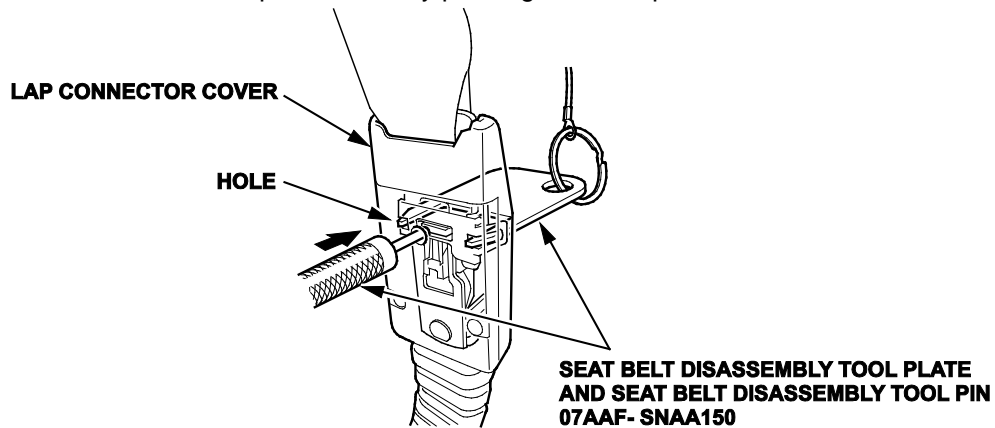


4. *MDX Passenger's Side Only* – Remove the front seat belt lower anchor connector.

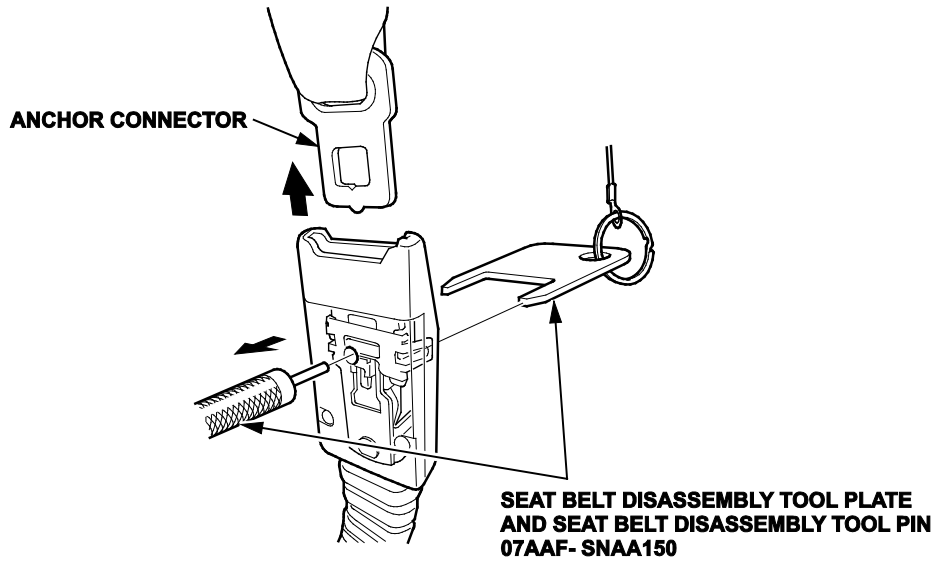
- Slowly insert the seat belt disassembly tool plate into the holes in the back of the lap connector cover as shown.



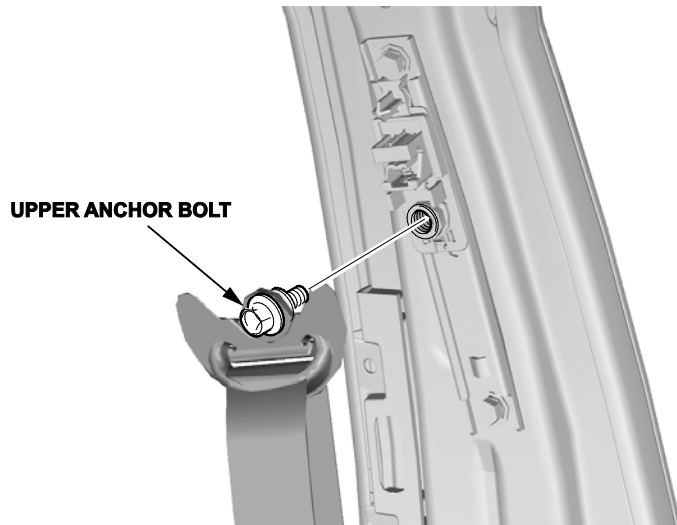
- With the tool inserted, carefully insert the seat belt disassembly tool pin into the hole in the lap connector cover, and unlock the lap connector by pushing in on the pin.



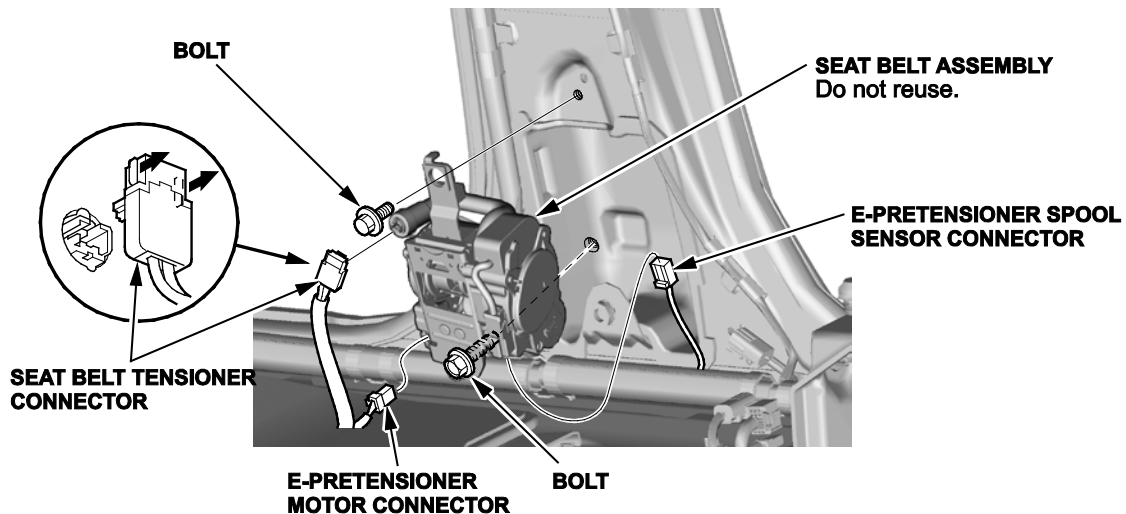
- While pulling the seat belt upward, remove the disassembly tool pin. As soon as you remove the disassembly tool pin from the lap connector, the anchor connector will separate from the lap connector.



5. Remove the B-pillar upper and lower trim.
6. Remove the front seat belt upper anchor bolt.



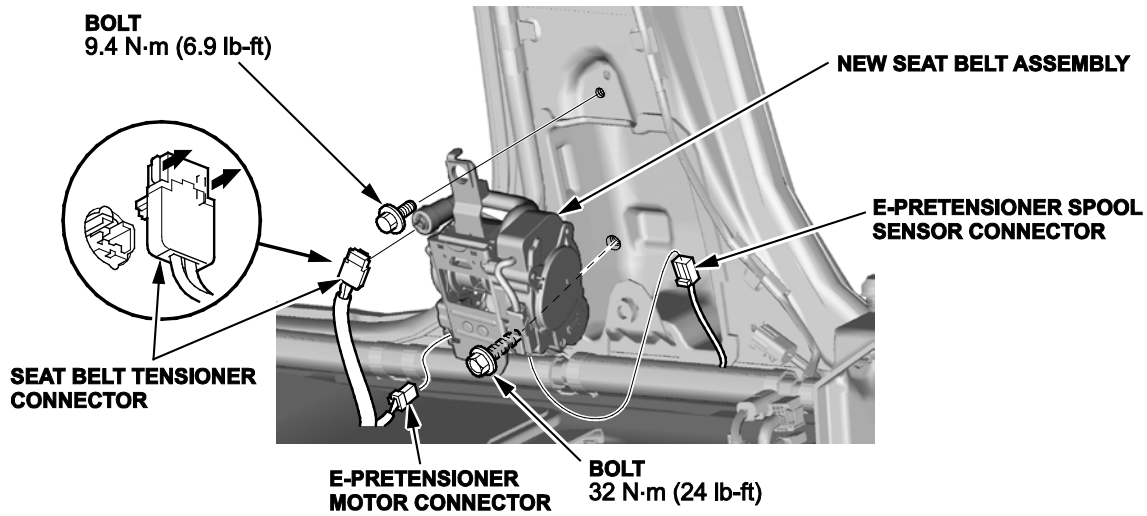
7. Disconnect the seat belt tensioner connector.



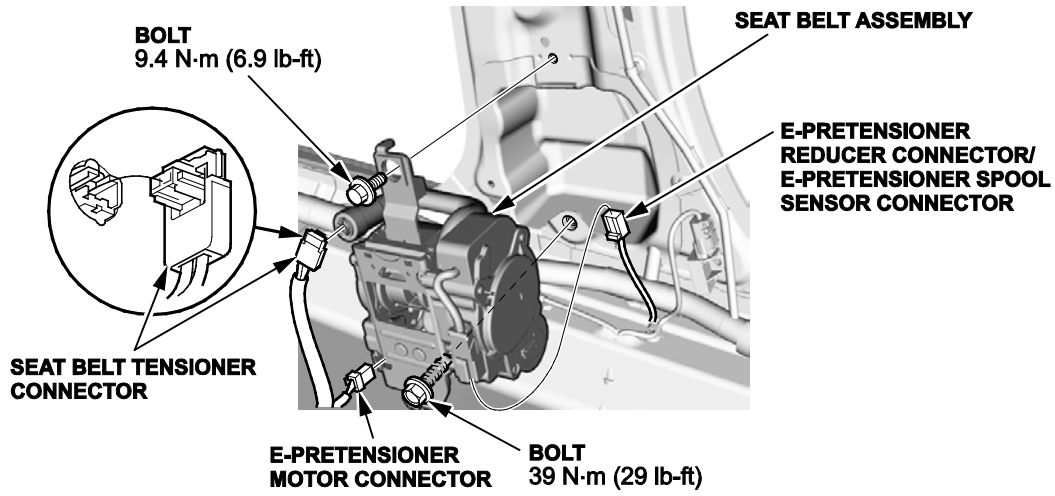
8. If applicable, disconnect the E-pretensioner motor connector and the E-pretensioner spool sensor connector.

9. Remove the seat belt tensioner/E-pretensioner assembly.
10. Install the new seat belt tensioner/E-pretensioner and torque the bolts as shown.

**MDX**

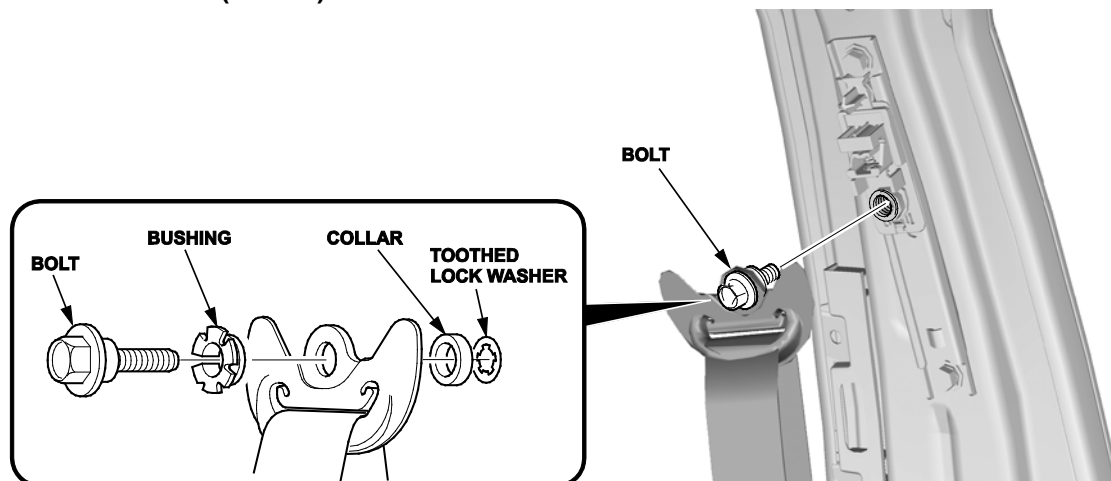


**RLX**



11. Install and torque the new front seat upper anchor bolt.

- MDX: 32 N-m (24 lb-ft)
- RLX: 39 N-m (29 lb-ft)

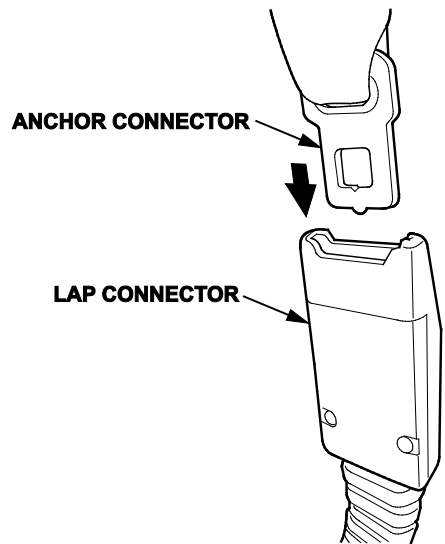


12. Reconnect the connectors.
13. Reinstall the B-pillar upper and lower trim.

NOTE: On the MDX, you must replace the clip in the upper B-pillar trim.

14. *MDX Passenger's Side Only* – Reconnect the seat belt lower anchor connector.

NOTE: Make sure the seat belt is not twisted, and the latch plate is facing the passenger's seat.



The latch plate should face the seat as shown.



15. Reinstall and torque the lower anchor bolt.
  - MDX: **47 N·m (36 lb-ft)**
  - RLX: **40 N·m (30 lb-ft)**
16. Reinstall the lower anchor cover.
17. Do the battery reconnection procedure.

END