



# Service Bulletin

## PRELIMINARY INFORMATION

**Subject:** Radio Back Lighting Stays On After Key Off / Dead Battery / TCCM Repeat Failure

**Models:** 2014 Chevrolet Silverado 1500  
2015 Chevrolet Silverado  
2014 GMC Sierra 1500  
2015 GMC Sierra  
With Transfer Case (RPO NQF or NQH)

The following diagnosis might be helpful if the vehicle exhibits the symptom(s) described in this PI.

### Condition/Concern

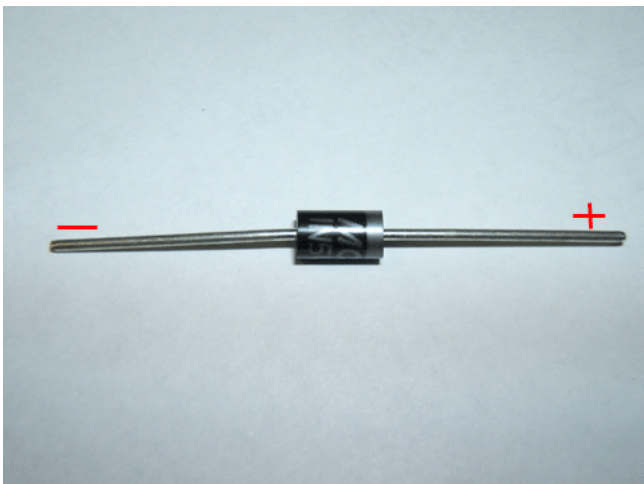
Some owners may comment that their radio backlighting will stay on even after the ignition has been turned off and the key has been removed for several minutes. Eventually, the battery will go dead. While diagnosing the concern, voltage may be present at the following fuses with the ignition key in the off position F23DL F22DL F30DL F31DL F32DL (reference SI Doc ID 3819053). These fuses are all on the same Run/Crank Ignition Buss Bar, in the Left I/P Fuse Block, and should not have any power with the ignition off. In some cases, there may only be 2 or 3 volts present, so a voltmeter must be used to check for voltage. This could be caused by the TCCM back feeding voltage into the fuse block with the ignition off. If the TCCM is disconnected, the voltage at the fuses will be gone. If the TCCM is replaced, the issue may only be corrected for a short time. The internal circuitry of the TCCM may have been permanently damaged by a voltage spike, causing the back feed.

In most cases, the voltage spike is caused by an aftermarket accessory, which utilizes a solenoid or relay, that is wired onto the F30DL fuse or to the X61A I/P Junction Block connector X7 terminal 11 or connector X5 terminal 35. If these solenoids or relays are not properly suppressed, they will produce a voltage spike. The voltage spike can be transmitted onto the Run/Crank Ignition Buss Bar and permanently damage the TCCM.

### Recommendation/Instructions

**Important:** DO NOT replace the TCCM until the root cause of the condition has been narrowed to the solenoid/relay voltage spikes.

To prevent damage to any of the sensitive electronic components on the bussed circuit, the solenoid/relay MUST have the control circuit suppressed with a diode. The diode will prevent the voltage spikes from being transmitted onto the Run/Crank circuit.

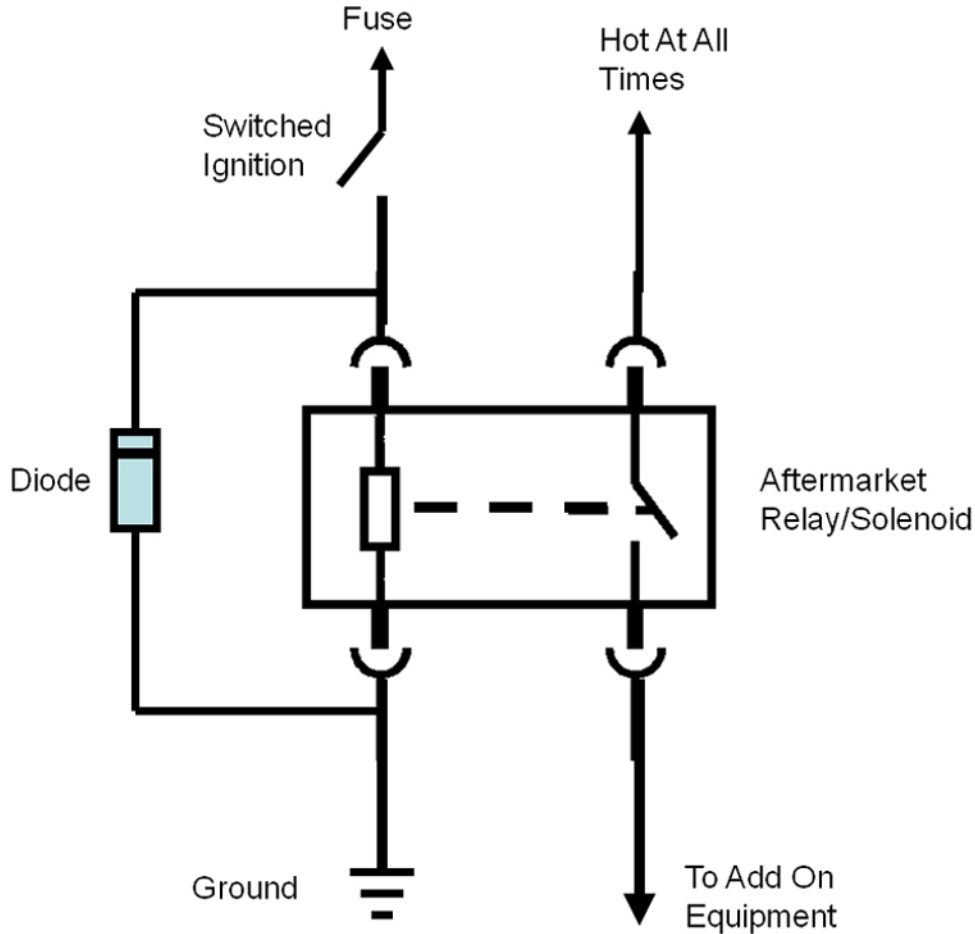


Install a diode, P/N 12112422, across the coil of the solenoid. It is important that the striped end of the diode be connected to the positive terminal of the coil and the other end of the diode be connected to ground.



**Important:** Be sure to insulate the diode with heat shrink tubing before installing as shown in the picture above.

**Notice:** Some solenoids/relays may only have a positive post and will get their ground through their mounting bracket. In this case, the striped end of the diode is to be connected to the positive terminal and other end should be connected to the ground of the solenoid/relay.



Install a diode, P/N 12112422, across the coil of the relay. It is important that the striped end of the diode be connected to the positive terminal of the coil and the other end of the diode be connected to ground. Be sure to insulate the diode with heat shrink tubing before installing.

**Parts Information**

Part Number	Description	Qty
-------------	-------------	-----

12112422	Diode	1
----------	-------	---

## Warranty Information

This repair will not be covered under warranty due to the failure being caused by an aftermarket accessory.

Please follow this diagnostic or repair process thoroughly and complete each step. If the condition exhibited is resolved without completing every step, the remaining steps do not need to be performed.

---

GM bulletins are intended for use by professional technicians, NOT a "do-it-yourselfer". They are written to inform these technicians of conditions that may occur on some vehicles, or to provide information that could assist in the proper service of a vehicle. Properly trained technicians have the equipment, tools, safety instructions, and know-how to do a job properly and safely. If a condition is described, DO NOT assume that the bulletin applies to your vehicle, or that your vehicle will have that condition. See your GM dealer for information on whether your vehicle may benefit from the information.



WE SUPPORT VOLUNTARY TECHNICIAN CERTIFICATION