


Initial Calibration of Compass During PDS

Service Category General

Section Pre-Delivery Service

Market USA

Lexus Supports ASE Certification 

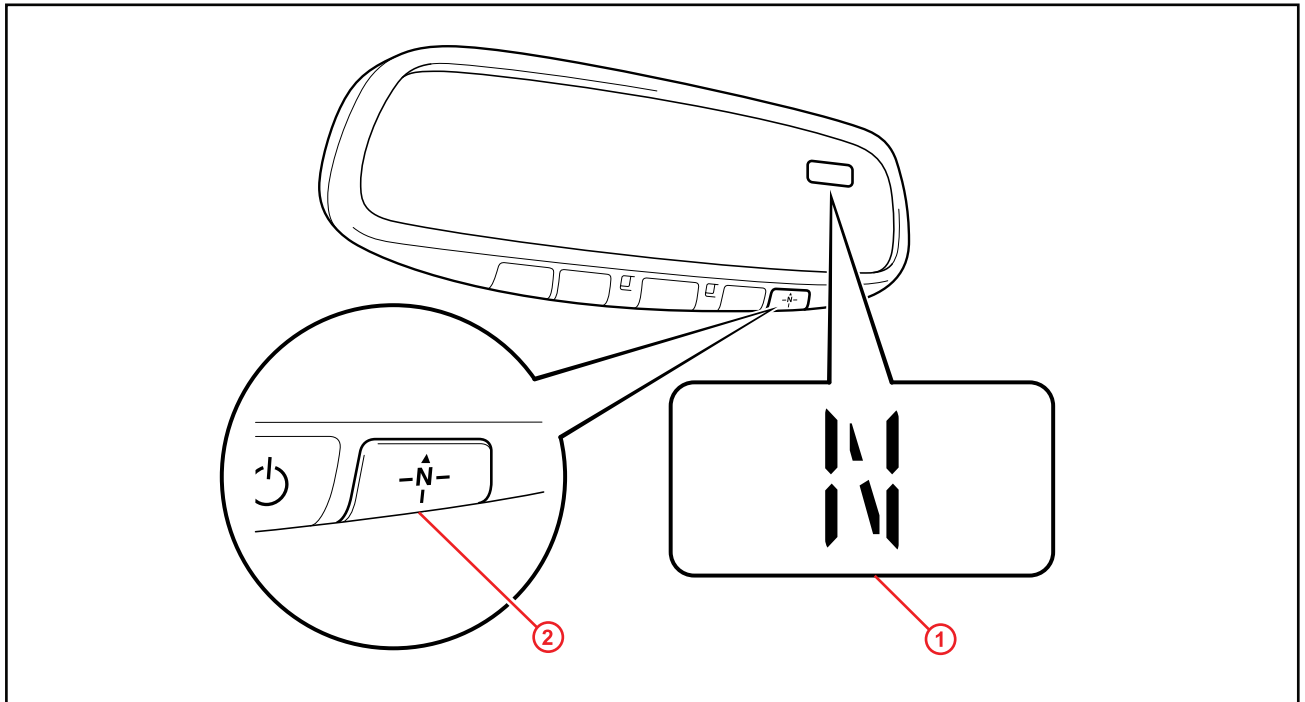
Applicability

YEAR(S)	MODEL(S)	ADDITIONAL INFORMATION
2015	GX460	

Introduction

Some 2015 model year GX 460 vehicles are equipped with a compass in the rear view mirror. Use the following procedure to complete initial calibration of the compass during Pre-Delivery Service (PDS).

Figure 1.



1 Compass Display

2 "N" Switch

Warranty Information

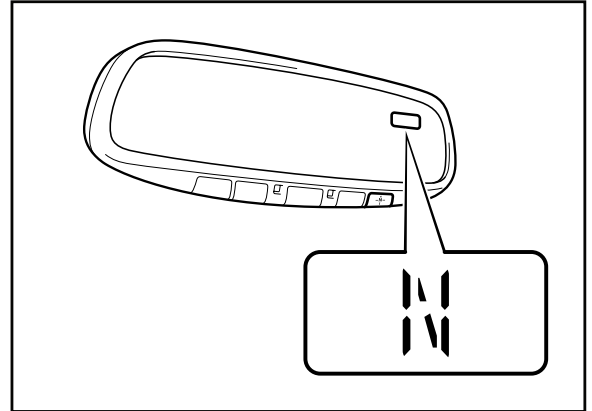
OP CODE	DESCRIPTION	TIME	OFP	T1	T2
N/A	Not Applicable to Warranty	-	-	-	-

Initial Calibration of Compass During PDS

Compass Calibration Procedure

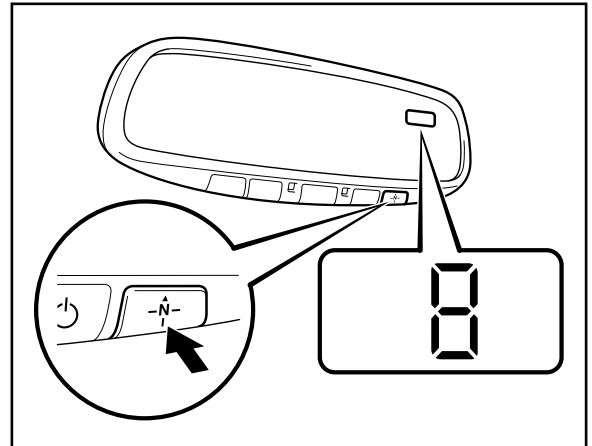
1. Cycle the ignition switch to the "IG-ON" position and check that the direction (N, NE, E, SE, S, SW, W, NW) appears on the compass display.

Figure 2.



2. Push and hold the "N" switch for approximately 6 seconds until the zone number (1 – 15) appears on the display. Then push the switch to select the number of the zone where the vehicle is located.

Figure 3.



NOTE

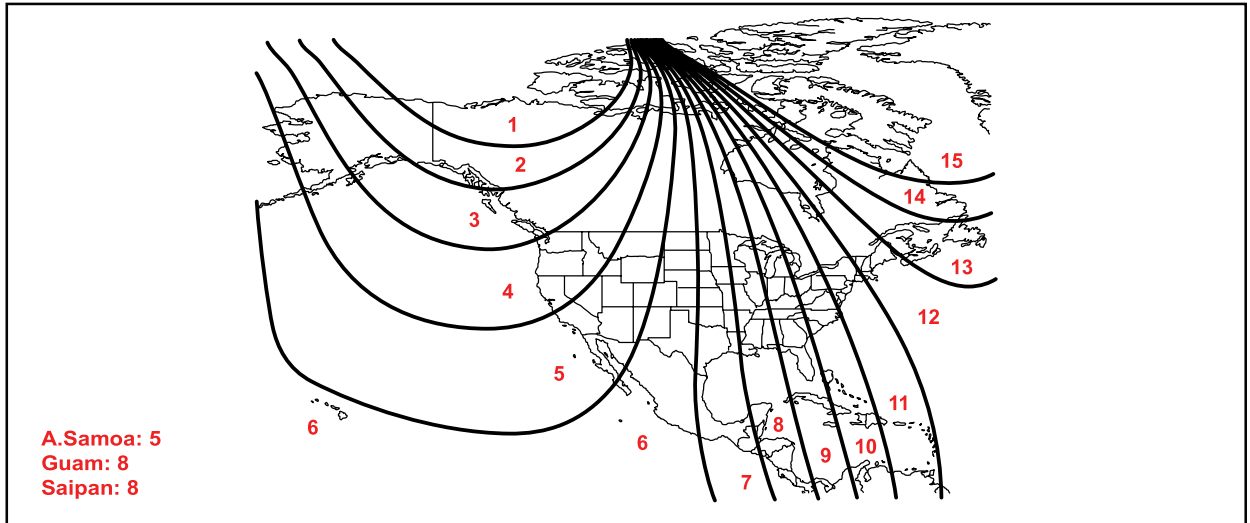
Pushing the "N" switch turns the compass display ON or OFF.

See the map for zone reference.

Initial Calibration of Compass During PDS

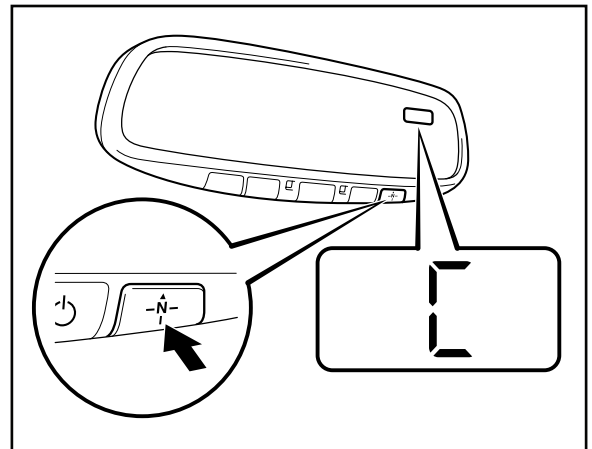
Compass Calibration Procedure (Continued)

Figure 4.



3. Start the engine and push and hold the “N” switch for about 12 seconds until “C” appears on the display.

Figure 5.



Initial Calibration of Compass During PDS

Compass Calibration Procedure (Continued)

4. Drive the vehicle slowly at 5 mph (8 km/h), or less, in a circle until the direction is displayed. If there is NOT enough space to drive in a circle, drive around the block until the direction is displayed.

Once the direction is shown on the display, calibration is complete.

NOTE

- Do NOT perform calibration of the compass in a place where the Earth's magnetic field is subject to interference (underground parking, under a steel tower, between buildings, roof parking, near a railroad crossing, near a large vehicle, etc.)
- During calibration, do NOT operate electric systems (sliding roof, power windows, etc.) as they may interfere with the calibration.

Figure 6.

