

Driver Seat - LH Rear Bolt Cover Deformation

Service Category Vehicle Interior

Section Seat

Market USA

Toyota Supports
 ASE Certification 

Applicability

YEAR(S)	MODEL(S)	ADDITIONAL INFORMATION
2014	Tundra	

Introduction

Some 2014 model year CrewMax and Double Cab Tundra vehicles may exhibit a condition where the driver's left rear seat track cover is being caught by the seat side shield, causing the seat track cover to bend backwards when the seat is in the rearmost position. Follow the procedures in this bulletin to address this condition.

Production Change Information

This bulletin applies to vehicles produced **BEFORE** the Production Change Effective VINs shown below.

MODEL	PLANT	DRIVETRAIN	PRODUCTION CHANGE EFFECTIVE VIN
Tundra	TMMTX	2WD	5TFRU5F1#EX031934
			5TFRM5F1#EX075419
			5TFEM5F1#EX075429
			5TFRY5F1#EX161630
			5TFSY5F1#EX161623
			5TFEY5F1#EX161634
			5TFFY5F1#EX161608
		5TFGY5F1#EX161639	
		5TFTY5F1#EX008503	
		5TFUM5F1#EX055632	
		5TFDM5F1#EX055625	
		5TFUY5F1#EX368788	
		5TFUW5F1#EX368649	
		5TFBY5F1#EX368719	
5TFBW5F1#EX368753			
		4WD	

Driver Seat - LH Rear Bolt Cover Deformation

Production Change Information (Continued)

MODEL	PLANT	DRIVETRAIN	PRODUCTION CHANGE EFFECTIVE VIN
Tundra	TMMTX	4WD	5TFDY5F1#EX368640
			5TFDW5F1#EX368718
			5TFHY5F1#EX368715
			5TFHW5F2#EX368765
			5TFAY5F1#EX368679
			5TFAW5F1#EX368689
			5TFCY5F1#EX017008
			5TFCW5F1#EX017011

Warranty Information

OP CODE	DESCRIPTION	TIME	OPF	T1	T2
BD1417	R & R Outer Rear Seat Track Bracket Cover LH and Front Seat Cushion Shield LH	1.1	72138-0C080-C0 71812-0C210-C0 71812-0C220-C0	62	13

APPLICABLE WARRANTY

- This repair is covered under the Toyota Basic Warranty. This warranty is in effect for 36 months or 36,000 miles, whichever occurs first, from the vehicle's in-service date.
- Warranty application is limited to occurrence of the specified condition described in this bulletin.

Parts Information

PART NUMBER		PART NAME	QTY
PREVIOUS	NEW		
72138-0C080-C0	72138-0C080-C0*	Cover, Seat Track Bracket, Outer RR LH	1
71812-0C210-C0	71812-0C211-C0	Shield, FR Seat Cushion, LH	1
71812-0C220-C0	71812-0C221-C0		1
71818-0C031		Wire, Front Seat Cushion Shield, LH	1
90080-16089		Screw, Pan Tapping	1

* The rib on the new cover is longer than the old part by 15 mm.

Driver Seat - LH Rear Bolt Cover Deformation

Repair Procedure

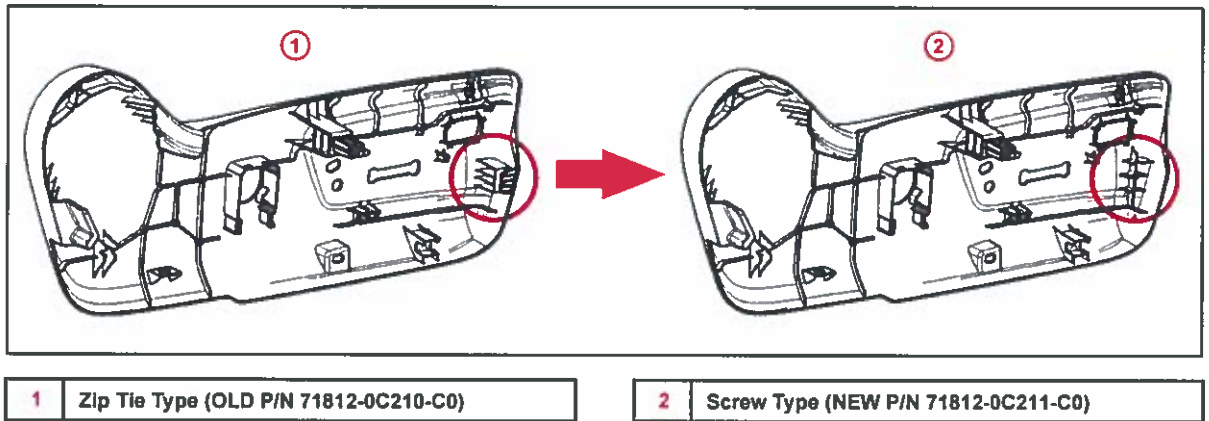
1. Remove the driver seat.

Refer to the Technical Information System (TIS), applicable model and model year Repair Manual:

- 2014 Tundra:
Vehicle Interior – Seat – “Seat: Front Seat Assembly (for Power Seat): [Removal](#)”

2. Replace the original Front Seat Cushion Shield LH (zip tie type) with the NEW Front Seat Cushion Shield LH (screw type) and Front Seat Cushion Shield Wire LH.

Figure 1. Front Seat Cushion Shield LH

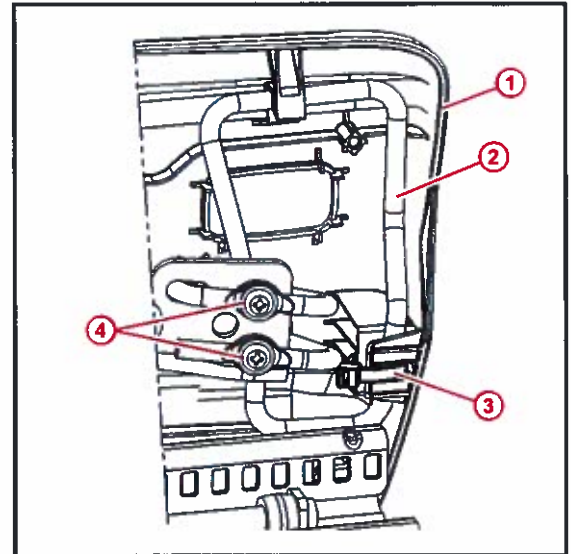


Driver Seat - LH Rear Bolt Cover Deformation

Repair Procedure (Continued)

A. Remove the side shield (zip tie may be cut).

Figure 2.



1	Side Shield
2	Wire
3	Zip Tie
4	Wire Attachment Screws

B. Remove the Front Seat Cushion Shield Wire LH from the frame by removing the 2 wire attachment screws.

NOTE

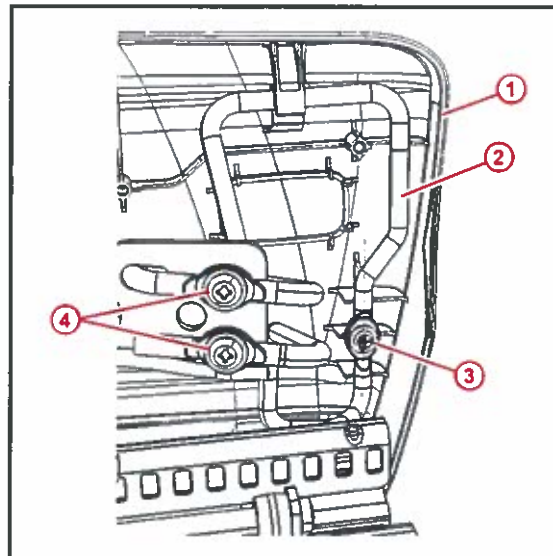
The removed screws may be reused to attach the new Front Seat Cushion Shield Wire LH.

Driver Seat - LH Rear Bolt Cover Deformation

Repair Procedure (Continued)

- C. Attach the NEW Front Seat Cushion Shield Wire LH.

Figure 3.



1	NEW Side Shield
2	NEW Wire
3	NEW Screw (P/N 90080-16089)
4	Wire Attachment Screws

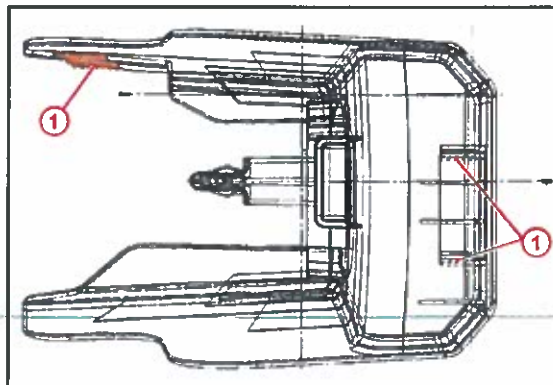
- D. Attach the NEW side shield screw.

3. Replace the original Outer Rear Seat Track Bracket Cover LH with the NEW Outer Rear Seat Track Bracket Cover LH.

NOTE

The rib on the new cover is longer than the original part by 15 mm.

Figure 4.



1	Outer Rear Seat Track Bracket Cover LH
---	--

Driver Seat - LH Rear Bolt Cover Deformation

Repair Procedure (Continued)

4. Reassemble in reverse order of disassembly.

Refer to TIS, applicable model and model year Repair Manual:

- 2014 Tundra:
Vehicle Interior – Seat – “Seat: Front Seat Assembly (for Power Seat): [Installation](#)”

5. Set cushion height to the lowest position and slide the cushion back to the rearmost position. Confirm there is NO interference between the Front Seat Cushion Shield LH and the Outer Rear Seat Track Bracket Cover LH.