

2015 PRE-DELIVERY SERVICE CHECK SHEET

August 2014

BEFORE INSPECTION	OK	Adjust/Repair
01 Install antenna	<input type="checkbox"/>	<input type="checkbox"/>
FUNCTIONAL OPERATION		
<i>Apply parking brake and cycle ignition "IG-ON"; place gear selector in reverse; turn on lights and rear defogger. Unlock doors; release fuel door.</i>		
01 Check dome, courtesy, map, and sun visor lights*	<input type="checkbox"/>	<input type="checkbox"/>
02 Check warning/indicator lights, gauges, and horn	<input type="checkbox"/>	<input type="checkbox"/>
03 Check windshield wipers and washers	<input type="checkbox"/>	<input type="checkbox"/>
04 Check headlights, instrument lights, turn signals, emergency flashers, and brake lights	<input type="checkbox"/>	<input type="checkbox"/>
05 Check inside/outside rear view mirror operation/adjustment	<input type="checkbox"/>	<input type="checkbox"/>
06 Check cigarette lighter* and power outlets	<input type="checkbox"/>	<input type="checkbox"/>
07 Check audio/navigation*/backup camera* systems and set clock	<input type="checkbox"/>	<input type="checkbox"/>
08 Verify Entune/Navigation software version (Display Audio, Non-HDD Type only)*	<input type="checkbox"/>	<input type="checkbox"/>
09 Check sliding roof*	<input type="checkbox"/>	<input type="checkbox"/>
10 Install shift-lock override button cover	<input type="checkbox"/>	<input type="checkbox"/>
11 Check Rear Seat Entertainment system operation*	<input type="checkbox"/>	<input type="checkbox"/>
WALKAROUND INSPECTION		
<i>Start at left front door. Check window and door lock operation (from master power switch, if equipped). Continue around vehicle in a counterclockwise direction checking each door and window operation, child door locks, seat belts, interior condition, all lights, luggage compartment contents. Finish by checking headlight aim and continue into UNDER HOOD checks.</i>		
01 Check Smart Key System*	<input type="checkbox"/>	<input type="checkbox"/>
02 Check door and door lock operation, including each wireless remote control/theft deterrent system*	<input type="checkbox"/>	<input type="checkbox"/>
03 Check window operation	<input type="checkbox"/>	<input type="checkbox"/>
04 Check that engine starts with all keys	<input type="checkbox"/>	<input type="checkbox"/>
05 Check that child safety door locks are in normal (unlocked) position	<input type="checkbox"/>	<input type="checkbox"/>
06 Check seats and seat belt operation	<input type="checkbox"/>	<input type="checkbox"/>
07 Check rear defogger/rear view mirror defogger*	<input type="checkbox"/>	<input type="checkbox"/>
08 Check side marker, tail, backup, and license plate lights	<input type="checkbox"/>	<input type="checkbox"/>
09 Check luggage compartment light* and trim appearance	<input type="checkbox"/>	<input type="checkbox"/>
10 Adjust spare tire pressure, inspect for damage, and check jack and tool installation	<input type="checkbox"/>	<input type="checkbox"/>
11 Check headlight aim	<input type="checkbox"/>	<input type="checkbox"/>
UNDER HOOD		
01 Check engine oil level	<input type="checkbox"/>	<input type="checkbox"/>
02 Check brake fluid level	<input type="checkbox"/>	<input type="checkbox"/>
03 Check engine coolant level	<input type="checkbox"/>	<input type="checkbox"/>
04 Check windshield washer fluid level	<input type="checkbox"/>	<input type="checkbox"/>
05 Check battery state-of-charge using Digital Battery System Analyzer (SOC Reading: _____%)	<input type="checkbox"/>	<input type="checkbox"/>
06 Inspect for fuel, oil, coolant, and other fluid leaks	<input type="checkbox"/>	<input type="checkbox"/>

UNDER VEHICLE (ON HOIST)	OK	Adjust/Repair
01 Remove disc brake anti-rust covers/anti-corrosion wheel film*	<input type="checkbox"/>	<input type="checkbox"/>
02 Inspect tires for defects/damage	<input type="checkbox"/>	<input type="checkbox"/>
03 Verify Tire Pressure Warning System (TPWS) (see page 2)	<input type="checkbox"/>	<input type="checkbox"/>
04 Install wheel covers/caps/spare tire wheel covers*	<input type="checkbox"/>	<input type="checkbox"/>
05 Inspect for fuel, oil, coolant, and other fluid leaks	<input type="checkbox"/>	<input type="checkbox"/>
06 Inspect under the vehicle for damage, rust, etc.	<input type="checkbox"/>	<input type="checkbox"/>
07 Visually check bolts and nuts on chassis and powertrain for looseness	<input type="checkbox"/>	<input type="checkbox"/>
08 Install rubber body plugs* (stored in glove box or center console)	<input type="checkbox"/>	<input type="checkbox"/>
ROAD TEST		
<i>A complete road test helps assure customer satisfaction. Drive vehicle over a variety of road surfaces and driving conditions. Check for unusual noise and driving performance.</i>		
Enter Odometer Readings		
Reading Before Test: _____ Reading After Test: _____		
01 Check cold engine operation	<input type="checkbox"/>	<input type="checkbox"/>
02 Check engine operation during warm-up	<input type="checkbox"/>	<input type="checkbox"/>
03 Check engine at normal operating temperature	<input type="checkbox"/>	<input type="checkbox"/>
04 Check automatic transmission operation	<input type="checkbox"/>	<input type="checkbox"/>
05 Check brake and parking brake operation	<input type="checkbox"/>	<input type="checkbox"/>
06 Check steering operation & off-center/vehicle pull/flutter	<input type="checkbox"/>	<input type="checkbox"/>
07 Inspect for abnormal noise and vibration	<input type="checkbox"/>	<input type="checkbox"/>
08 Inspect for squeaks and rattles	<input type="checkbox"/>	<input type="checkbox"/>
09 Check front and rear* heater and A/C operation	<input type="checkbox"/>	<input type="checkbox"/>
10 Check cruise control operation*	<input type="checkbox"/>	<input type="checkbox"/>
11 Check front seat heater/ventilation operation*	<input type="checkbox"/>	<input type="checkbox"/>
12 Set/calibrate compass* (see page 2)	<input type="checkbox"/>	<input type="checkbox"/>
FINAL INSPECTION AND CLEANING		
01 Remove interior protective covers, unnecessary labels, tags, etc. (Remove just before delivery to customer)	<input type="checkbox"/>	<input type="checkbox"/>
02 Visually inspect all interior parts for installation, damage, fit, dirt, etc.	<input type="checkbox"/>	<input type="checkbox"/>
03 Verify floor mat application and install using retaining clips*	<input type="checkbox"/>	<input type="checkbox"/>
04 Remove Rapgard™ and clear protective bumper film*	<input type="checkbox"/>	<input type="checkbox"/>
05 Wash and clean vehicle	<input type="checkbox"/>	<input type="checkbox"/>
06 Inspect paint finish for scratches, chips, rust, dents, damage, etc.	<input type="checkbox"/>	<input type="checkbox"/>
07 Inspect exterior body parts for proper installation, damage, rust, etc.	<input type="checkbox"/>	<input type="checkbox"/>
08 Place oil change sticker on inside of windshield, top left corner	<input type="checkbox"/>	<input type="checkbox"/>
09 Place Owner's Guide & first aid kit portfolio* in glove box	<input type="checkbox"/>	<input type="checkbox"/>
10 Perform Techstream Health Check	<input type="checkbox"/>	<input type="checkbox"/>
11 Install front license plate and mounting bracket* (see page 2)	<input type="checkbox"/>	<input type="checkbox"/>
* Inspect or install when equipped/required.		

Completion and retention of this form is required to comply with Toyota's Warranty Policy.

 TECHNICIAN'S SIGNATURE

 SERVICE MANAGER'S SIGNATURE

 NAME (PLEASE PRINT)

 NAME (PLEASE PRINT)

We hereby certify that all items on this form have been checked and corrected for proper operation as required.

Date	Dealer Name	Dealer Code	Vehicle Identification Number (Sticker)
------	-------------	-------------	---

TIRE PRESSURE WARNING SYSTEM (TPWS) VERIFICATION

1. Connect Techstream to DLC3.
2. Adjust all tires (except the spare tire) to the standard tire inflation pressure, as indicated on the tire and loading information label on the vehicle.
3. Cycle the ignition switch to the "IG-ON" mode.

NOTE

To adjust the tire pressure correctly when the outside temperature is significantly colder than shop temperature, perform a Health Check using Techstream and select the "Compensation Tire Pressure" checkbox. Compensation pressures will be displayed on the Health Check results screen. Adjust the tire pressure when the tires are cold.

4. Check the tire pressure of all tires using Techstream. If the tire pressure values cannot be displayed, the system is not operating properly. Refer to the Repair Manual.
5. Remove the ID number labels that are attached to each wheel and discard.

NOTE

If the tire pressure values are not properly displayed (example: showing -14 psi, -100 kPa, etc.) the data from the transmitter has not been received.

COMPASS CALIBRATION

Refer to the Repair Manual for the [Calibration procedure](#) for vehicles equipped with a compass in the rear view mirror.

NOTE

- Do NOT perform calibration of the compass in a place where the Earth's magnetic field is subject to interference (underground parking, under a steel tower, between buildings, roof parking, near a railroad crossing, near a large vehicle, etc.).
- During calibration, do NOT operate electric systems (moon roof, power windows, etc.) as they may interfere with the calibration.

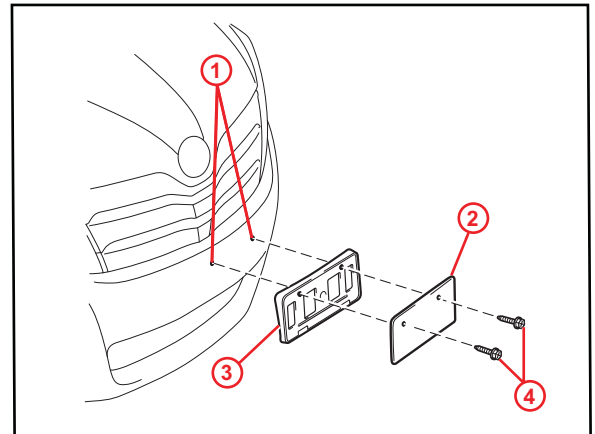
FRONT LICENSE PLATE AND MOUNTING BRACKET INSTALLATION*

Front License Plate Mounting Bracket: P/N 75101-0T010

1. Insert the front license plate into the mounting bracket.
2. Align the installation holes on the mounting bracket and front license plate with the dimples on the front bumper.
3. Screw in the 2 self-tapping screws directly into the dimples to install the front license plate and mounting bracket.

NOTICE

- Do NOT pre-drill holes into the bumper.
- Do NOT overtighten the self-tapping screws.



- 1 Dimples
- 2 Front License Plate Mounting Bracket
- 3 License Plate
- 4 Self-Tapping Screws