


# Front License Plate & Mounting Bracket Installation

**Service Category** General

**Section** Pre-Delivery Service

**Market** USA

Lexus Supports  
ASE Certification 

## Applicability

YEAR(S)	MODEL(S)	ADDITIONAL INFORMATION
2015	GS350, GS450H	

## Introduction

The front license plate mounting bracket and 2 self-tapping screws for the 2015 model year GS 350 and GS 450h are stored in the glove compartment of the vehicle. Install the license plate and mounting bracket during Pre-Delivery Service (PDS).

## Warranty Information

OP CODE	DESCRIPTION	TIME	OFP	T1	T2
N/A	Not Applicable to Warranty	–	–	–	–

## Front License Plate & Mounting Bracket Installation

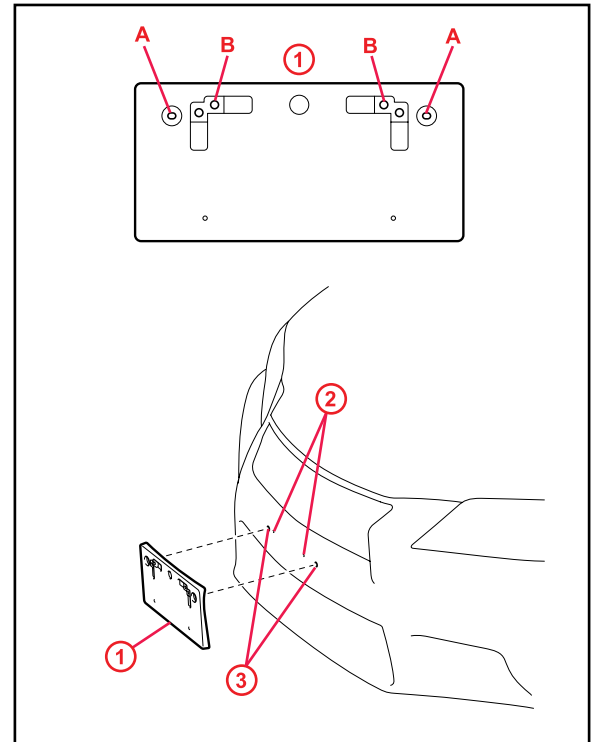
### Installation Procedure

1. Align holes "A" of the mounting bracket with the dimples on the front bumper cover. Mark the location of holes "B" on the front bumper cover.

**NOTE**

- Holes "A" are used to install the mounting bracket to the bumper cover.
- Holes "B" are used to install the front license plate to the mounting bracket.

Figure 1.



1	Mounting Bracket
2	Mark and Drill Holes
3	Dimples

2. Drill 2 relief holes with a diameter of 11.0 mm (0.43 in.) at the marks on the front bumper cover (holes "B") to prevent the license plate retaining bolt ends from contacting the cover.

**NOTE**

**Do NOT drill into the dimples on the front bumper cover.**

3. Install the mounting bracket to the front bumper cover (holes "A") using the 2 supplied self-tapping screws.

## Front License Plate & Mounting Bracket Installation

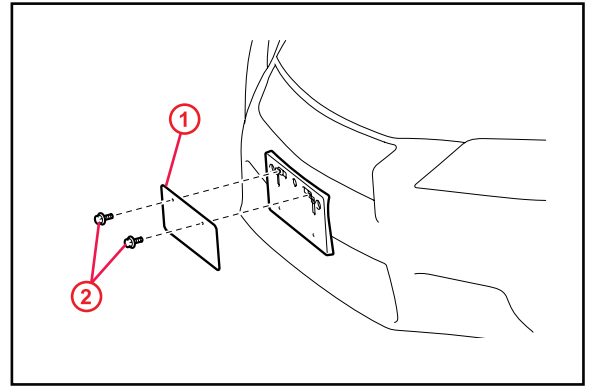
### Installation Procedure (Continued)

4. Install the front license plate to the mounting bracket using 2 non-corroding bolts with the following dimensions.

**Nominal Length: 15.0 mm (0.59 in.)**

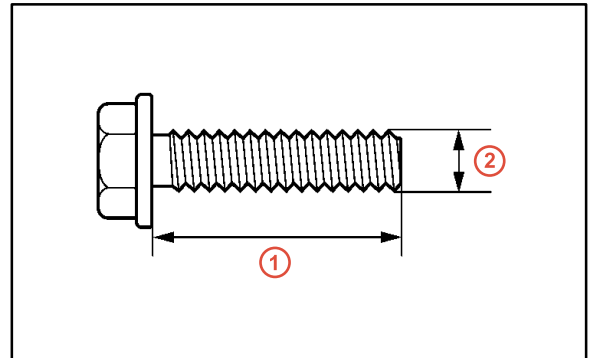
**Diameter: 6.0 mm (0.24 in.)**

Figure 2.



1	Front License Plate
2	Bolts

Figure 3.



1	Nominal Length
2	Diameter