

Initial Calibration of Compass During PDS

Service Category General

Section Pre-Delivery Service

Market USA

Lexus Supports
 ASE Certification 

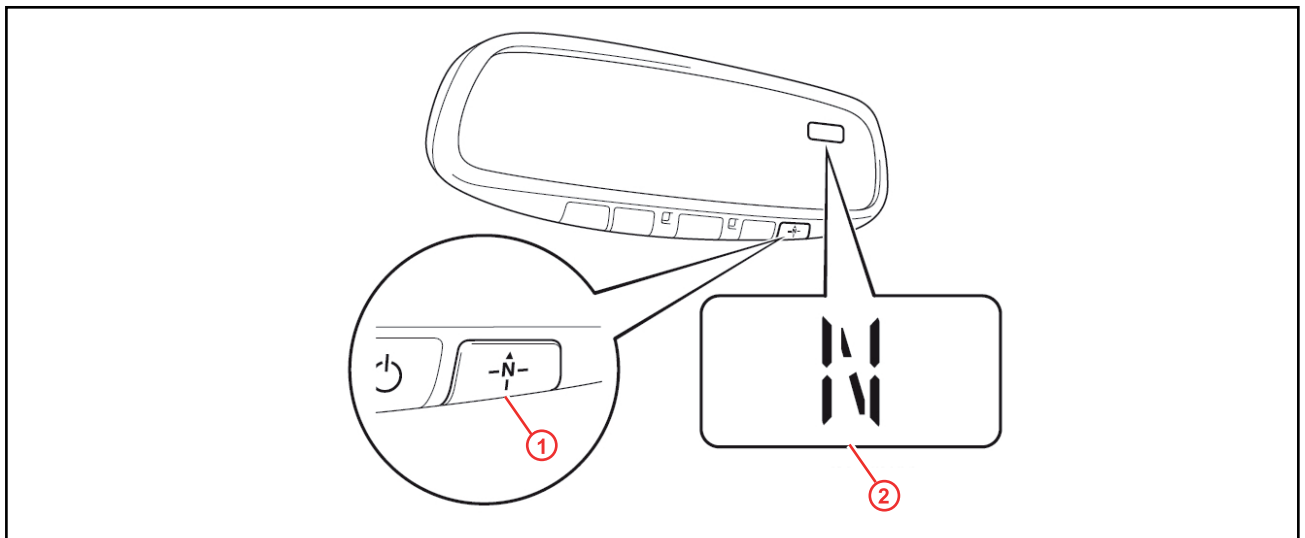
Applicability

YEAR(S)	MODEL(S)	ADDITIONAL INFORMATION
2015	ES300H, ES350	

Introduction

Some 2015 model year ES 350 and ES 300h vehicles are equipped with a compass in the rear view mirror. In order for the compass to correctly indicate the direction that the vehicle is heading, it must be calibrated prior to vehicle delivery. Use the following procedure to perform initial calibration during Pre-Delivery Service (PDS).

Figure 1.



1 "N" Switch

2 Compass Display

Warranty Information

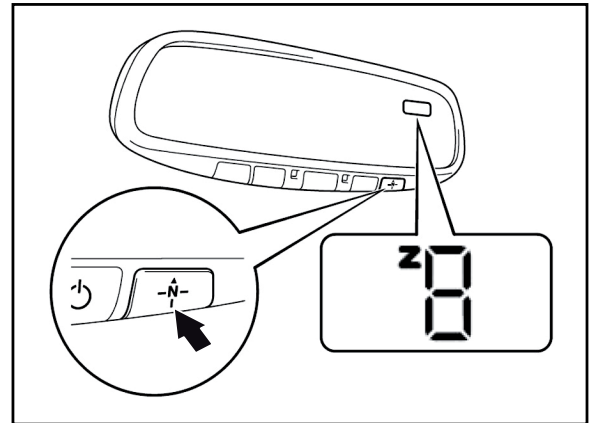
OP CODE	DESCRIPTION	TIME	OFP	T1	T2
N/A	Not Applicable to Warranty	-	-	-	-

Initial Calibration of Compass During PDS

Compass Calibration Procedure

1. Cycle the ignition switch to the "IG-ON" position and hold the "N" switch until the zone number appears on the display.

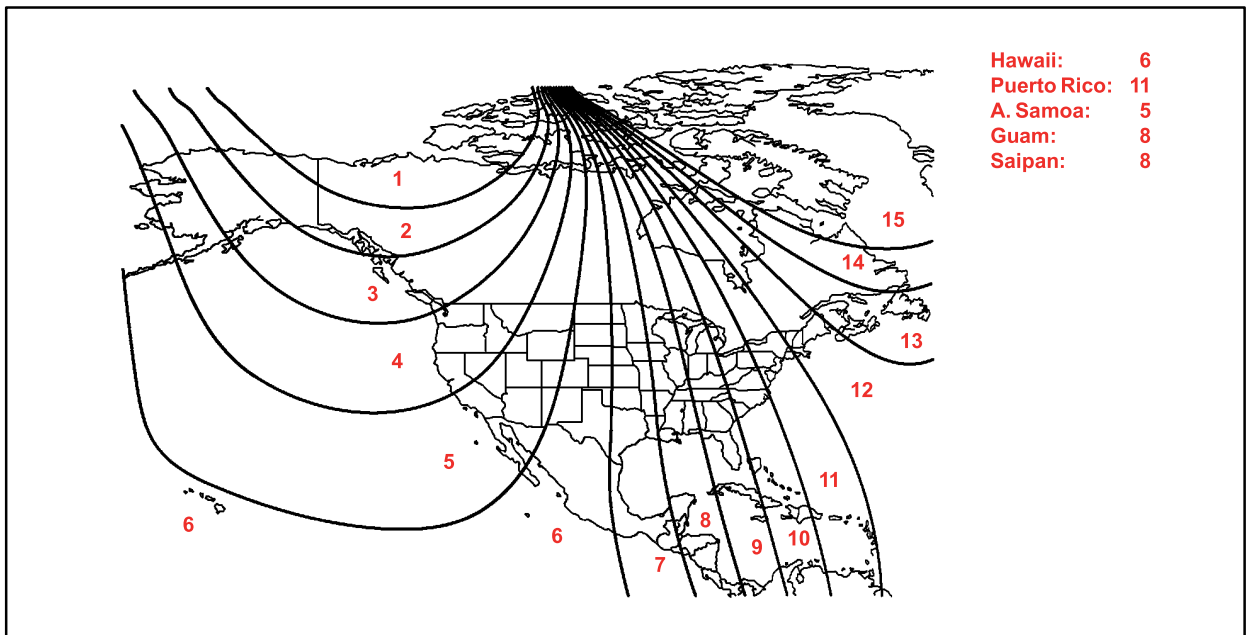
Figure 2.



2. Push the "N" switch to select the number of the zone where the vehicle is located.

See the map for zone reference.

Figure 3.

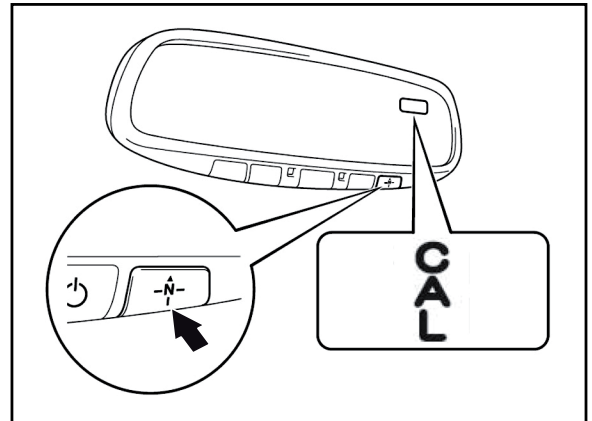


Initial Calibration of Compass During PDS

Compass Calibration Procedure (Continued)

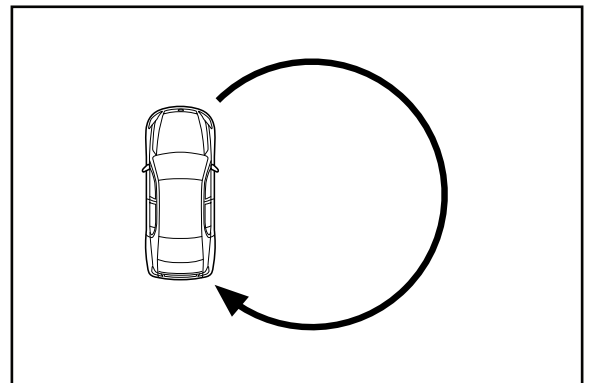
3. Start the engine, and push the "N" switch until "CAL" appears on the display.

Figure 4.



4. Drive the vehicle slowly at 5 mph (8 km/h), or less, in a circle until the direction is displayed. If there is NOT enough space to drive in a circle, drive around the block until the direction is displayed.

Figure 5.



Once the direction is displayed, the calibration is complete.

NOTE

- Do NOT perform calibration of the compass in a place where the Earth's magnetic field is subject to interference by artificial magnetic fields (underground parking, under a steel tower, between buildings, roof parking, near a railroad crossing, near a large vehicle, etc.)
- During calibration, do NOT operate electric systems (moon roof, power windows, etc.) as they may interfere with the calibration.