

# Automatic Transmission Serial Number Location

Service Category    Drivetrain

Section      Automatic Transmission/Transaxle      Market    USA



## Applicability

YEAR(S)	MODEL(S)	ADDITIONAL INFORMATION
2006 – 2014	4Runner, Avalon, Camry, Corolla, FJ Cruiser, Highlander, Land Cruiser, Matrix, RAV4, Sequoia, Sienna, Solara, Tacoma, Tundra, Venza, Yaris	

### REVISION NOTICE

September 30, 2014 Rev2:

- Applicability has been updated to include 2011 – 2014 model year vehicles.
- The Engine/Transmission Reference section has been updated.

October 14, 2009 Rev1:

- Applicability has been updated to include 2010 model year vehicles.

Any previous printed versions of this bulletin should be discarded.

### SUPERSESSION NOTICE

The information contained in this bulletin supersedes SB No. TC012-06.

- Applicability has been updated to include 2008 – 2009 model year vehicles.

Service Bulletin No. TC012-06 is Obsolete and any printed versions should be discarded. Be sure to review the entire content of this bulletin before proceeding.

## Introduction

The purpose of this bulletin is to assist in the identification and location of serial numbers on 2006 – 2014 model year automatic transmissions.

## Automatic Transmission Serial Number Location

---

### Introduction (Continued)

**NOTE**

- When writing a Field Technical and/or Product Report, the serial number **MUST** be provided.
- Warranty policy requires shipment of **ALL** replaced transmissions to AWTEC, even if the transmission is replaced with a new service unit.
- Warranty policy requires the Core Return Credit Request (CRCR) form be filled out correctly and returned with the core.
- Per Toyota Warranty Policy & Procedures "[Policy 4.23: OEM and Remanufactured Automatic Transmission Replacement](#)":
  - Whenever a remanufactured or OEM automatic transaxle/transmission is replaced, the serial number from the back of the failed component must be recorded on the repair order hard copy and entered in the "*Transmission Serial Number*" field which can be found on the "*Additional Information*" tab of the warranty claim. Serial numbers listed on the warranty claim are matched to the cores returned to AWTEC. Claims without a matching core will be debited back to the dealer.
  - If any non-hybrid OEM or remanufactured automatic transaxles/transmissions and/or torque converters inadvertently appear on the Scrap Report, or if the Part Recovery Request Screen "*Scrap Field*" indicates "Y," **DO NOT SCRAP THESE PARTS**. All OEM and remanufactured automatic transaxles/transmissions and torque converters are still required to be shipped to AWTEC for remanufacture.

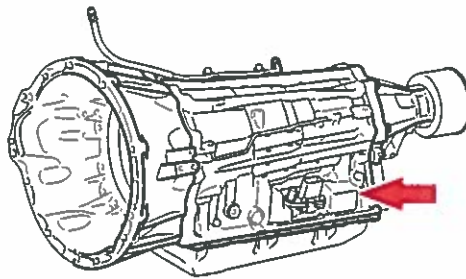
### Warranty Information

OP CODE	DESCRIPTION	TIME	OFF	T1	T2
N/A	Not Applicable to Warranty	-	-	-	-

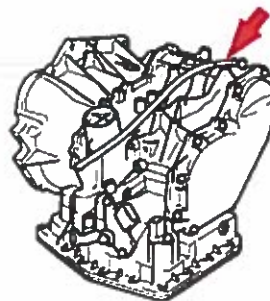
## Automatic Transmission Serial Number Location

### Engine/Transmission Reference

TRANSMISSION MODEL	MODEL	MODEL YEAR	ENGINE	SERIAL NUMBER
AB60E/F	Land Cruiser	2008 – 2011 2013 – 2014	3UR	<b>Example: 08 B T J 00001</b> 08: Year of Manufacture B: Month of Manufacture (A - M, "I" not used) T: Plant Code J: Line Code 00001: 5-Digit Serial Number Location: Left Rear Section of Transmission Case Above Transmission Pan (as shown)
	Sequoia	2008 – 2014		
	Tundra	2007 – 2014		



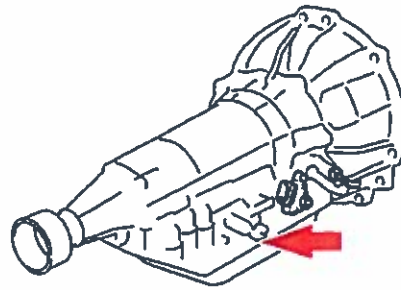
TRANSMISSION MODEL	MODEL	MODEL YEAR	ENGINE	SERIAL NUMBER
A24##	Corolla	2006 – 2008	1ZZ	<b>Example: 06 M Z T 00001</b> 06: Year of Manufacture M: Month of Manufacture (A - M, "I" not used) Z: Plant Code T: Line Code 00001: 5-Digit Serial Number Location: Top Section of Transmission Case Near Vent Tube Transmission Pan (as shown)
	Matrix			



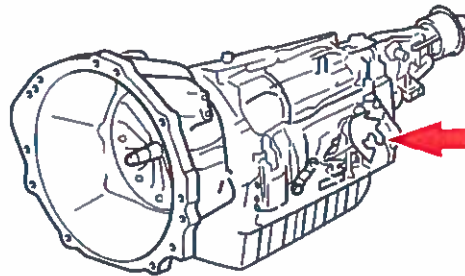
## Automatic Transmission Serial Number Location

### Engine/Transmission Reference (Continued)

TRANSMISSION MODEL	MODEL	MODEL YEAR	ENGINE	SERIAL NUMBER
A34#E/F	4Runner	2010 – 2011	2TR	<b>Example: 12 J R 7 00001</b> 12: Year of Manufacture J: Month of Manufacture (A - M, "I" not used) R: Transmission Model Code 7: Line Code 00001: 5-Digit Serial Number Location: Right Rear Section of Transmission Case Above Transmission Pan (as shown)
	Tacoma	2006 – 2014		



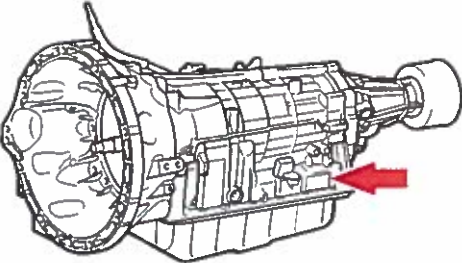
TRANSMISSION MODEL	MODEL	MODEL YEAR	ENGINE	SERIAL NUMBER
A750E/F	4Runner	2006 – 2009	2UZ	<b>Example: 06 A T 2 00001</b> 06: Year of Manufacture A: Month of Manufacture (A - M, "I" not used) T: Plant Code 2: Line Code 00001: 5-Digit Serial Number Location: Left Rear Section of Transmission Case Above Transmission Pan (as shown)
		2006 – 2014	1GR	
	FJ Cruiser	2007 – 2014	1GR	
	Land Cruiser	2006 – 2007	2UZ	
	Sequoia	2006 – 2014	2UZ	
	Tacoma		1GR	
	Tundra	2006 – 2009	2UZ	
		2006 – 2014	1GR	



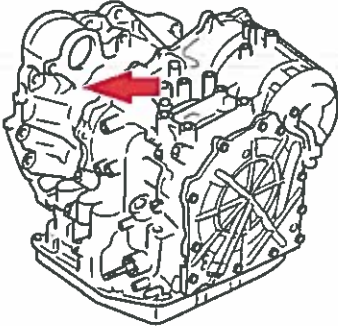
## Automatic Transmission Serial Number Location

### Engine/Transmission Reference (Continued)

TRANSMISSION MODEL	MODEL	MODEL YEAR	ENGINE	SERIAL NUMBER
A760E/F	Sequoia	2010 – 2014	1UR	<b>Example: 11 F TN 03262</b> 11: Year of Manufacture F: Month of Manufacture (A - M, "I" not used) TN: Transmission Model Code 03262: 5-Digit Serial Number Location: Left Rear Section of Transmission Case Above Transmission Oil Pan (as shown)
	Tundra			



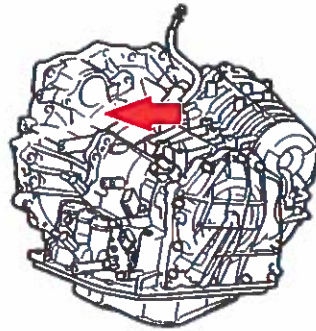
TRANSMISSION MODEL	MODEL	MODEL YEAR	ENGINE	SERIAL NUMBER	
U14##	Highlander	2006 – 2007	2AZ	<b>Example: 13 A Y 0 00001</b> 13: Year of Manufacture A: Month of Manufacture (A - M, "I" not used) Y: Transmission Model Code 0: Plant Code 00001: 5-Digit Serial Number Location: Slightly Off-Center to the Left on Top of Bell Housing of Transmission (as shown)	
	Matrix	2009 – 2014			
	RAV4		2006 – 2008		2AR
			2009 – 2012		



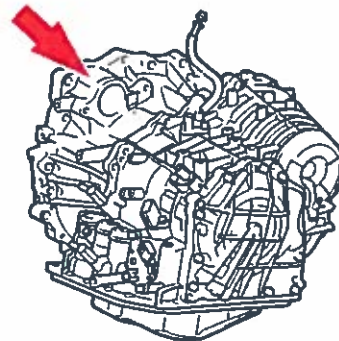
## Automatic Transmission Serial Number Location

### Engine/Transmission Reference (Continued)

TRANSMISSION MODEL	MODEL	MODEL YEAR	ENGINE	SERIAL NUMBER
U15## (Japan Built)	Camry	2006	1MZ 3MZ	<b>Example: 11 H D 2 00001</b> 11: Year of Manufacture H: Month of Manufacture (A - M, "I" not used) D: Transmission Model Code 2: Plant Code 00001: 5-Digit Serial Number Location: Slightly Off-Center to the Left on Top of Bell Housing of Transmission (as shown)
	Highlander	2006 – 2007	3MZ	
		2008 – 2013	2GR	
	RAV4	2006 – 2012		



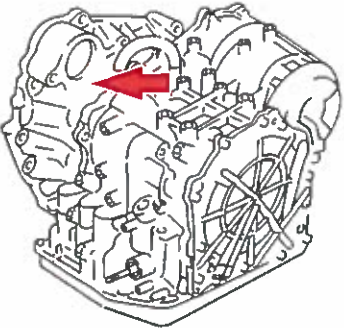
TRANSMISSION MODEL	MODEL	MODEL YEAR	ENGINE	SERIAL NUMBER
U15## (TMMWV Built)	Avalon	2006 – 2007	2GR	<b>Example: 5 12 01 00001</b> 5: Plant Code (TMMWV) 12: Year of Manufacture 01: Month of Manufacture 00001: 5-Digit Serial Number Location: Slightly Off-Center to the Left on Top of Bell Housing of Transmission (as shown)
	Camry	2006	1MZ 3MZ	
	Highlander	2008 – 2013	2GR	
	Sienna	2006	3MZ	
		2007 – 2010	2GR	
Solara	2006 – 2008	3MZ		



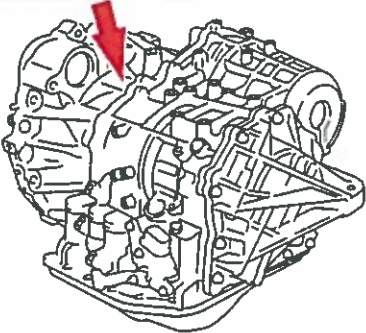
## Automatic Transmission Serial Number Location

### Engine/Transmission Reference (Continued)

TRANSMISSION MODEL	MODEL	MODEL YEAR	ENGINE	SERIAL NUMBER
U24##	Highlander	2006 – 2007	2AZ	<b>Example: 11 A Y 0 00001</b> 11: Year of Manufacture A: Month of Manufacture (A - M, "I" not used) Y: Transmission Model Code 0: Plant Code 00001: 5-Digit Serial Number Location: Slightly Off-Center to the Left on Top of Bell Housing of Transmission (as shown)
	RAV4	2006 – 2008		
			2009 – 2012	



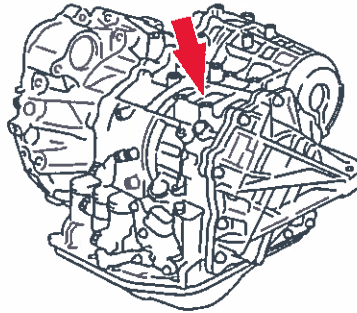
TRANSMISSION MODEL	MODEL	MODEL YEAR	ENGINE	SERIAL NUMBER
U250E	Camry	2006 – 2009	2AZ	<b>Example: K 13 09 00001</b> K: Plant Code (K or T) 13: Year of Manufacture 09: Month of Manufacture 00001: 5-Digit Serial Number Location: Center of Transmission Case Behind Bell Housing Near Vent Hose (as shown)
	Corolla	2009 – 2013		
	Matrix			
	Solara	2006 – 2008		



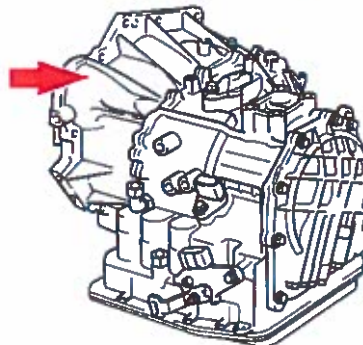
## Automatic Transmission Serial Number Location

### Engine/Transmission Reference (Continued)

TRANSMISSION MODEL	MODEL	MODEL YEAR	ENGINE	SERIAL NUMBER
U250E	Camry	2008 – 2009	2AZ	<b>Example: 08 A D 2 00001</b> 08: Year of Manufacture A: Month of Manufacture (A - M, "I" not used) D: Transmission Model Code 2: Plant Code 00001: 5-Digit Serial Number <b>Location: Center of Transmission Case Towards the Rear (as shown)</b>



TRANSMISSION MODEL	MODEL	MODEL YEAR	ENGINE	SERIAL NUMBER
U34##	Matrix AWD	2006	1ZZ	<b>Example: 6 F E0001</b> 6: Year of Manufacture A: Month of Manufacture (A - M, "I" not used) E0001: 5-Digit Alpha-Numeric Serial Number <b>Location: Left side of Transmission Bell Housing Roughly 3/4 Up (as shown)</b>

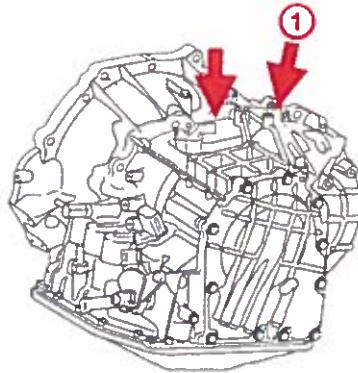




## Automatic Transmission Serial Number Location

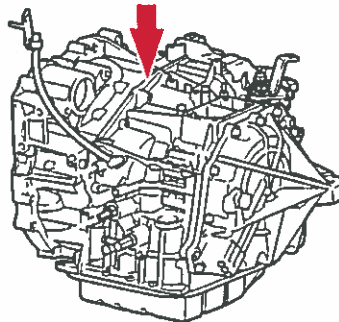
### Engine/Transmission Reference (Continued)

TRANSMISSION MODEL	MODEL	MODEL YEAR	ENGINE	SERIAL NUMBER
U34##	Corolla	2009 – 2014	2ZR	<b>Example: 13 A E0001</b> 13: Year of Manufacture A: Month of Manufacture (A – C or 1 – 9) E0001: 5-Digit Alpha-Numeric Serial Number <b>Location:</b> On Top of Transmission Case Above Differential on Case Half Flange or Center of Transmission Case Behind Bell Housing Near Vent Hose (as shown)
	Matrix			
	Yaris	2007 – 2014	1NZ	



**1: Check Here First**

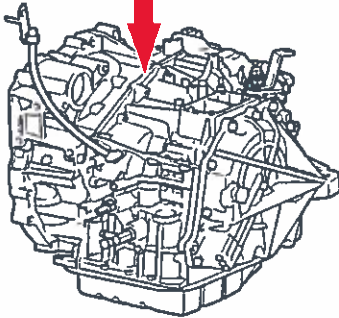
TRANSMISSION MODEL	MODEL	MODEL YEAR	ENGINE	SERIAL NUMBER
U660#	Avalon	2008 – 2014	2GR	<b>Example: 2 A 14 C 2 00001</b> 2: Plant Code A: Transmission Model Code 14: Year of Manufacture C: Month of Manufacture 2: Line Code 00001: 5-Digit Serial Number <b>Location:</b> Top of Bell Housing Towards Front of Transmission — Serial Number will be Stamped in Transmission Case (as shown)
	Camry	2007 – 2014		
	Venza	2009 – 2014		



## Automatic Transmission Serial Number Location

### Engine/Transmission Reference (Continued)

TRANSMISSION MODEL	MODEL	MODEL YEAR	ENGINE	SERIAL NUMBER
U760E	Camry	2010 – 2014	2AR	<b>Example: 2 0 T 14 C 00001</b> 2: Plant Code 0: Transmission Model Code T: Line Code 14: Year of Manufacture C: Month of Manufacture 00001: 5-Digit Serial Number Location: Top of Bell Housing Towards Front of Transmission — Serial Number will be Stamped in Transmission Case (as shown)
	Highlander	2009 – 2014	1AR	
	RAV4	2013 – 2014	2AR	
	Venza	2009 – 2014	1AR	



## Automatic Transmission Serial Number Location

### Engine/Transmission Reference (Continued)

TRANSMISSION MODEL	MODEL	MODEL YEAR	ENGINE	SERIAL NUMBER
K313	Corolla	2014	2ZR	<p><b>Example: 2 B 14 H 1 00001</b>                      2: Plant Code                      B: Transmission Model Code                      14: Year of Manufacture                      H: Month of Manufacture                      1: Line Code                      00001: 5-Digit Serial Number                      Location: Top of Bell Housing Towards Front of Transmission or Center of Transmission Case Behind Bell Housing Near Vent Hose (as shown)</p>
