

3rd Row Seat May Not Fold Flat

Service Category Vehicle Interior

Section Seat

Market USA

Toyota Supports
 ASE Certification 

Applicability

YEAR(S)	MODEL(S)	ADDITIONAL INFORMATION
2012 – 2013	Highlander	

Introduction

Some 2012 – 2013 model year Highlander vehicles may exhibit difficulty when folding down or stowing the third row seat assembly due to binding between the seat frame and the banana bracket guide in the seat assembly. Follow the Repair Procedure in this bulletin to address this condition.

Production Change Information

This bulletin applies to vehicles produced **BEFORE** the Production Change Effective VINs shown below.

MODEL	ENGINE	PRODUCTION CHANGE EFFECTIVE VIN
Highlander	2GR-FE	5TDZK3EH#DS138038
		5TDYK3EH#DS138038
		5TDBK3EH#DS268555
		5TDDK3EH#DS268555
	1AR-FE	5TDZA3EH#DS044738

Warranty Information

OP CODE	DESCRIPTION	TIME	OPF	T1	T2
BD1420	R & R 3rd Row Seat Back/Track Assembly	3.2	79203-0E030 79203-0E040	87	13

APPLICABLE WARRANTY

- This repair is covered under the Toyota Basic Warranty. This warranty is in effect for 36 months or 36,000 miles, whichever occurs first, from the vehicle's in-service date.
- Warranty application is limited to occurrence of the specified condition described in this bulletin.

3rd Row Seat May Not Fold Flat

Parts Information

PART NUMBER	PART NAME	QTY
79201-0E030	Frame Sub-Assy, No. 2 Seat Cushion, RH	1
79202-0E010	Frame Sub-Assy, No. 2 Seat Cushion, LH	1
79203-0E030	Frame Sub-Assy, No. 2 Seat Back, RH	1
79203-0E040	Frame Sub-Assy, No. 2 Seat Back, LH	1

Repair Procedure

1. Remove and replace the seat assembly with the NEW factory parts.

Refer to the Technical Information System (TIS), applicable model and model year Repair Manual:

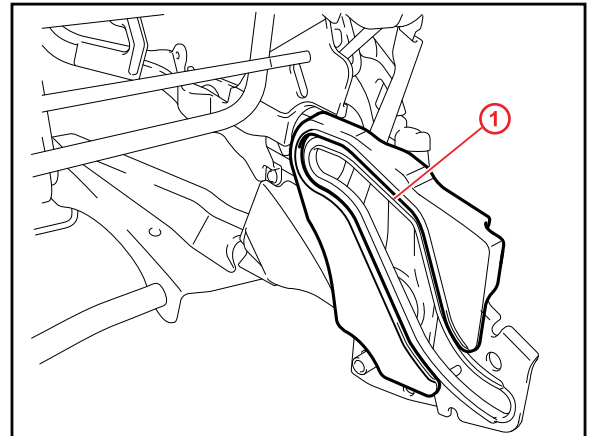
- [2012](#) / [2013](#) Highlander:
Vehicle Interior – Seat – “Seat: Rear No. 2 Seat Assembly: Removal”
- [2012](#) / [2013](#) Highlander:
Vehicle Interior – Seat – “Seat: Rear No. 2 Seat Assembly: Installation”

2. Center the NEW seat cushion frame between the banana brackets.

Figure 1.

NOTICE

During the installation of the lower seat cushion frame, it is imperative that the assembly is centered in the corresponding banana brackets.

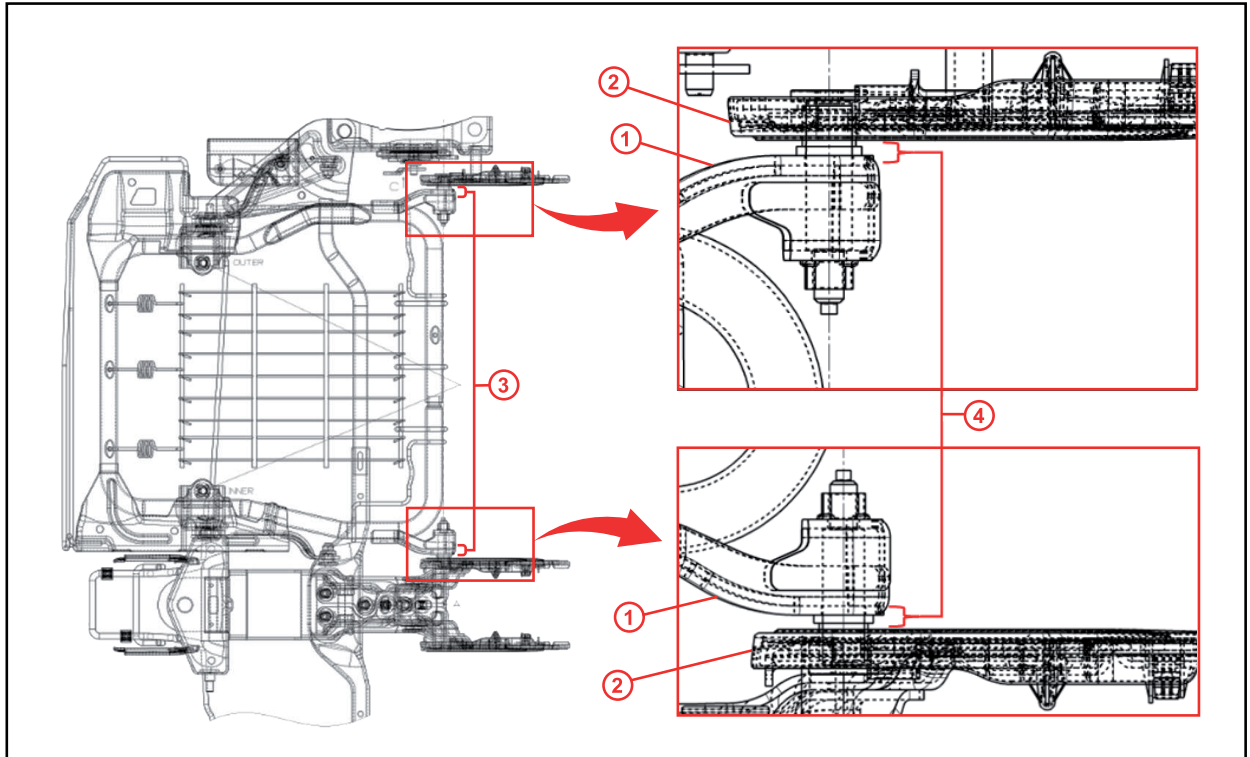


1	Banana Bracket
----------	-----------------------

3rd Row Seat May Not Fold Flat

Repair Procedure (Continued)

Figure 2.



1	Seat Cushion Frame
2	Banana Bracket

3	Seat Cushion Frame Assembly MUST Be Centered in Banana Brackets
4	These Distances MUST Be Equal

- A. Loosen the seat cushion frame mounting bolts to allow for the seat cushion frame to be shifted.
 - B. With the seat cushion frame mounting bolts loosened, shift the seat cushion frame to create an equal gap dimension between the seat frame and the banana brackets.
 - C. When the equal gap dimension is achieved, torque the seat frame mounting bolts per the Repair Manual specifications.
3. Reassemble the vehicle in reverse order and confirm normal operation.