

Front License Plate & Mounting Bracket Installation

Service
Category General

Section Pre-Delivery Service

Market USA



Applicability

YEAR(S)	MODEL(S)	ADDITIONAL INFORMATION
2015	RC F, RC350	

NOTE

This bulletin applies **ONLY** to RC 350 F-Sport and RC F models.

Introduction

The front license plate mounting bracket for the 2015 model year RC 350 F-Sport and RC F is placed in the luggage compartment of the vehicle at the assembly plant. Install the mounting bracket during Pre-Delivery Service (PDS) according to the following interim installation procedure **ONLY** on vehicles requiring a front license plate.

Furthermore, for this interim installation, please remove and discard the self-tapping screws that are packaged with the mounting bracket, as they will ***NOT be used*** in this procedure.

NOTE

There are 2 separate installation procedures detailed in this bulletin, specific to each model. Please follow the appropriate installation procedure based on model:

- F-Sport: Page 4
- RC F: Page 6

Parts Information

PART NUMBER	PART NAME	QTY
PT491-50030	License Plate Bolt	2

Warranty Information

OP CODE	DESCRIPTION	TIME	OFF	T1	T2
N/A	Not Applicable to Warranty	-	-	-	-

Front License Plate & Mounting Bracket Installation

Required Tools & Equipment

REQUIRED TOOLS & MATERIAL	QUANTITY
Oscillating Cutting Tool (Harbor Freight Item No. 68861, or Equivalent)	1
2-1/2" Blade (for Oscillating Cutting Tool, Harbor Freight Item No. 61818, or Equivalent)	1
11-inch Cable Ties (UV-rated for outdoor use, 50+ lbs. tensile strength)	2
10 mm Bolts	2

NOTICE

Dealers doing business in states that require installation of front license plates will receive a supply of cable ties and 10 mm long license plate bolts.

ONLY USE THE SUPPLIED 10 MM BOLTS for mounting a license plate without a top frame on RC 350 F-Sport models.

NOTE

- Use an oscillating cutting tool and blade such as the one pictured, sourced from Harbor Freight Tools (harborfreight.com):
 - Oscillating Tool: Item No. 68861
 - 2-1/2" Blade: Item No. 61818
- DO NOT use a cut-off tool.



Front License Plate & Mounting Bracket Installation

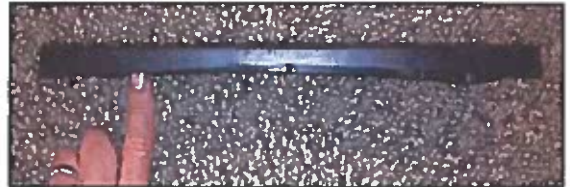
Mounting Bracket Inspection / Preparation

1. Inspect the mounting bracket. Check if the molded-in posts extend past the back of the bracket.
Do the molded-in posts extend past the back of the bracket as shown in Figure 1?

Figure 1.



Figure 2.



- YES — Go to step 2 to modify the bracket.
- NO — Go to the appropriate Installation Procedure.

2. Modify the mounting bracket.

- A. Using an oscillating cutting tool or equivalent, cut off the molded-in posts flush with the back of the bracket, as shown.

Figure 3.



CAUTION

Use appropriate personal protective equipment (PPE) and procedures, based on the tool used.

NOTICE

Ensure the working surface is smooth and will NOT cause scratches to the face of the bracket.

- B. Deburr the cut surfaces.

Front License Plate & Mounting Bracket Installation

Installation Procedure

RC 350 F-Sport Mounting Bracket & License Plate

IMPORTANT

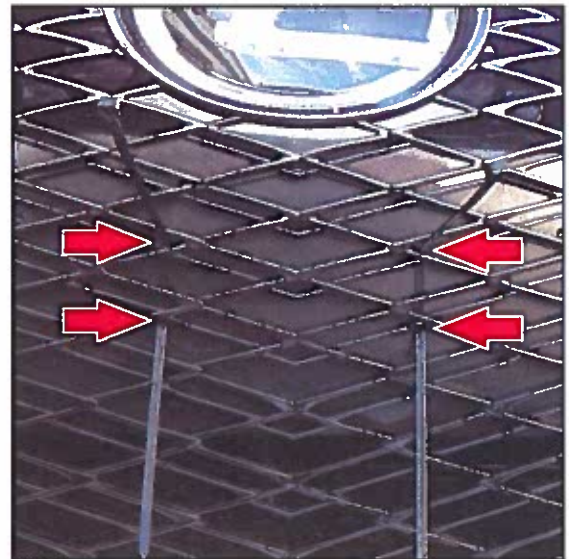
RC 350 F-Sport ONLY.

1. Thread cable ties through the grille in the locations shown.

NOTE

Pull mesh slightly to provide clearance for the cable ties and to prevent marking the bumper.

Figure 4.

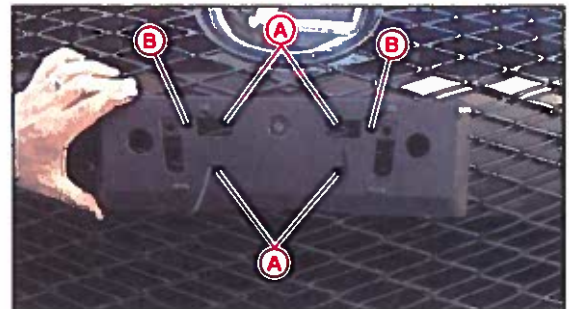


2. Position mounting bracket over radiator grille, align holes "A" with the cable tie ends and thread through the holes.

NOTE

- Holes "A" are used to install the mounting bracket to the radiator grille.
- Holes "B" are used for installation of the front license plate to the mounting bracket.

Figure 5.



NOTICE

Do NOT pre-drill holes in the dimples.

Front License Plate & Mounting Bracket Installation

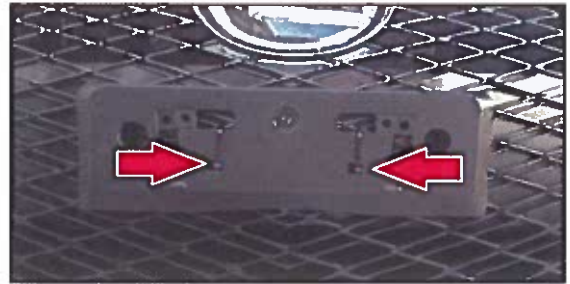
Installation Procedure

RC 350 F-Sport Mounting Bracket & License Plate (Continued)

3. Tighten cable ties while pushing lock end fully into lower hole. Finish tightening so ties are flush with bracket surface and bracket is firmly secured and straight. Cut off cable tie excess.

NOTICE
Do NOT overtighten the cable ties.

Figure 6.



4. Install the front license plate to the mounting bracket at holes "B" using 2 non-corroding bolts as specified below.

NOTICE
To prevent bolt contact/damage with grille mesh, ONLY use the following bolts to install the license plate.

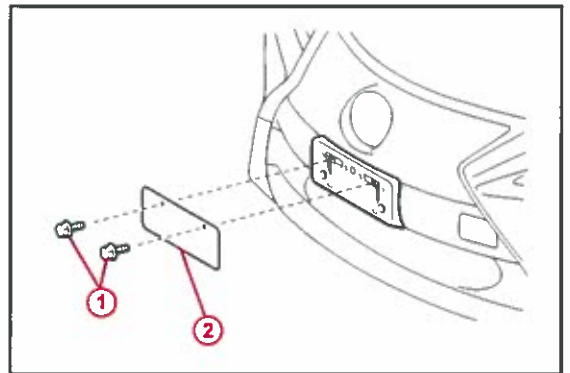
License Plate ONLY:

Nominal Length: 10.0 mm (0.39 in.)
Diameter: 6.0 mm (0.24 in.)

License Plate WITH Frame:

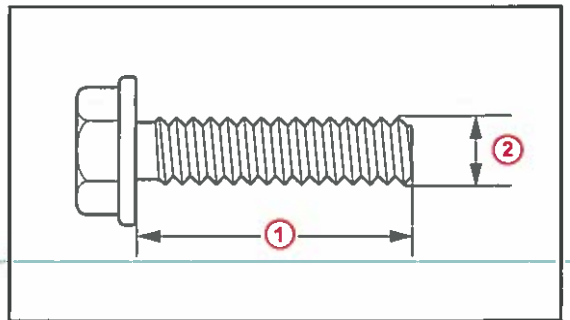
License Plate Bolt (P/N PT491-50030)
Nominal Length: 16.0 mm (0.63 in.)
Diameter: 6.0 mm (0.24 in.)

Figure 7.



1	Non-corroding Bolts into Holes "B"
2	License Plate

Figure 8.



1	Nominal Length
2	Diameter

Front License Plate & Mounting Bracket Installation

Installation Procedure (Continued)

RC F Mounting Bracket & License Plate

IMPORTANT

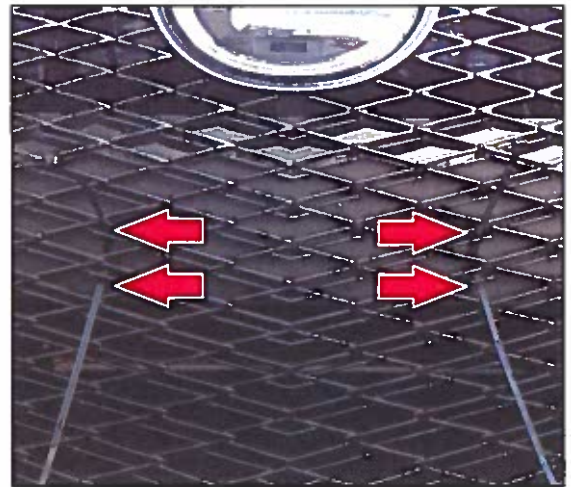
RC F ONLY.

1. Thread cable ties through the grille in the locations shown.

NOTE

Pull mesh slightly to provide clearance for the cable ties and to prevent marking the bumper.

Figure 9.

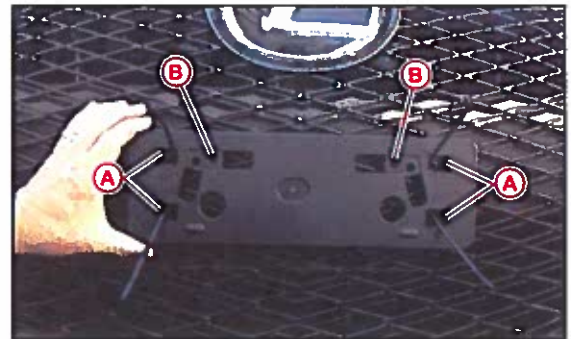


2. Position mounting bracket over radiator grille, align holes "A" with the cable tie ends and thread through the holes.

NOTE

- Holes "A" are used to install the mounting bracket to the radiator grille.
- Holes "B" are used for installation of the front license plate to the mounting bracket.

Figure 10.



NOTICE

Do NOT pre-drill holes in the dimples.

Front License Plate & Mounting Bracket Installation

Installation Procedure

RC F Mounting Bracket & License Plate (Continued)

3. Tighten cable ties while pushing lock end fully into lower hole. Finish tightening so ties are flush with bracket surface and bracket is firmly secured and straight. Cut off cable tie excess.

NOTICE

Do NOT overtighten the cable ties.

Figure 11.

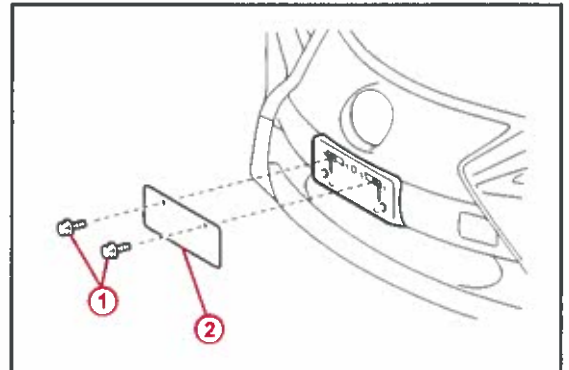


4. Install the front license plate to the mounting bracket at holes "B" using 2 non-corroding bolts as specified below.

NOTICE

To prevent bolt contact/damage with grille mesh, ONLY use the following bolts to install the license plate.

Figure 12.

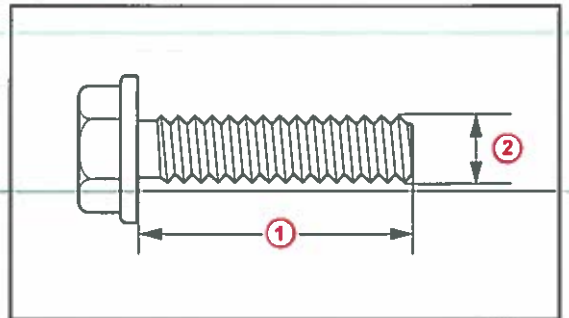


1	Non-corroding Bolts Into Holes "B"
2	License Plate

WITH or WITHOUT License Plate Frame:

License Plate Bolt (P/N PT491-50030)
 Nominal Length: 16.0 mm (0.63 in.)
 Diameter: 6.0 mm (0.24 in.)

Figure 13.



1	Nominal Length
2	Diameter

