


Automatic Transmission Serial Number Location

Service Category Drivetrain

Section Automatic Transmission/Transaxle

Market USA

Lexus Supports
ASE Certification 

Applicability

YEAR(S)	MODEL(S)	ADDITIONAL INFORMATION
2006 – 2014	ES330, ES350, GS300, GS350, GS430, GS460, GX460, GX470, IS F, IS250, IS250C, IS350, IS350C, LS430, LS460, LX470, LX570, RX330, RX350, SC430	

REVISION NOTICE

October 1, 2014 Rev2:

- Applicability has been updated to include 2011 – 2014 model year vehicles.
- The Engine/Transmission Reference section has been updated.

October 14, 2009 Rev1:

- Applicability has been updated to include 2010 model year vehicles.

Any previous printed versions of this bulletin should be discarded.

SUPERSESSION NOTICE

The information contained in this bulletin supersedes SB No. TC009-06.

- Applicability has been updated to include 2008 – 2009 model year vehicles.

Service Bulletin No. TC009-06 is Obsolete and any printed versions should be discarded. Be sure to review the entire content of this bulletin before proceeding.

Introduction

The purpose of this bulletin is to assist in the identification and location of serial numbers on 2006 – 2014 model year automatic transmissions.

Automatic Transmission Serial Number Location

Introduction (Continued)

NOTE

- When writing a Field Technical and/or Product Report, the serial number **MUST** be provided.
- Warranty policy requires shipment of **ALL** replaced transmissions to AWTEC, even if the transmission is replaced with a new service unit.
- Warranty policy requires the Core Return Credit Request (CRCR) form be filled out correctly and returned with the core.
- Per Lexus Warranty Policy & Procedures "[Policy 4.21: OEM and Remanufactured Automatic Transmission Replacement](#)":
 - Whenever a remanufactured or OEM automatic transaxle/transmission is replaced, the serial number from the back of the failed component must be recorded on the repair order hard copy and entered in the "*Transmission Serial Number*" field which can be found on the "*Additional Information*" tab of the warranty claim. Serial numbers listed on the warranty claim are matched to the cores returned to AWTEC. Claims without a matching core will be debited back to the dealer.
 - If any non-hybrid OEM or remanufactured automatic transaxles/transmissions and/or torque converters inadvertently appear on the Scrap Report, or if the Part Recovery Request Screen "*Scrap Field*" indicates "Y," **DO NOT SCRAP THESE PARTS**. All OEM and remanufactured automatic transaxles/transmissions and torque converters are still required to be shipped to AWTEC for remanufacture.

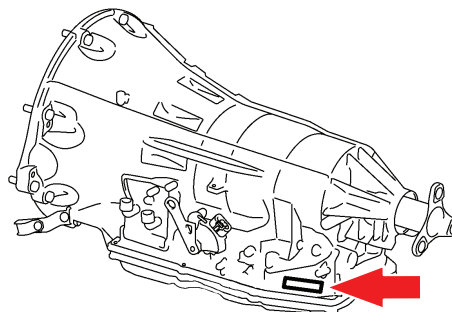
Warranty Information

OP CODE	DESCRIPTION	TIME	OFP	T1	T2
N/A	Not Applicable to Warranty	-	-	-	-

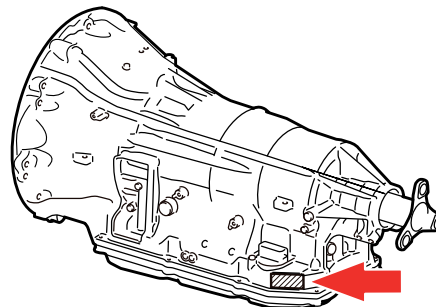
Automatic Transmission Serial Number Location

Engine/Transmission Reference

TRANSMISSION MODEL	MODEL	MODEL YEAR	ENGINE	SERIAL NUMBER
AA80E	GS 460	2008 – 2011	1UR	Example: 11 A LA 00001 11: Year of Manufacture A: Month of Manufacture (A - M, "I" not used) LA: Transmission Model Code (AA80E) 00001: 5-Digit Serial Number Location: Left Rear Section of Transmission Case Above Transmission Pan (as shown)
	IS F	2008 – 2014	2UR	
	LS 460	2007 – 2014	1UR	

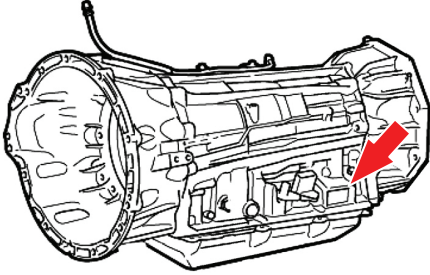


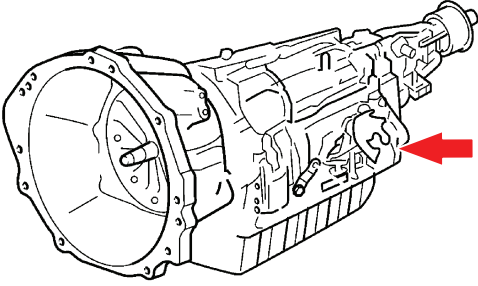
TRANSMISSION MODEL	MODEL	MODEL YEAR	ENGINE	SERIAL NUMBER
AA81E	GS 350	2011, 2014	2GR	Example: 11 A LA 00001 11: Year of Manufacture A: Month of Manufacture (A - M, "I" not used) LA: Transmission Model Code (AA81E) 00001: 5-Digit Serial Number Location: Left Rear Section of Transmission Case Above Transmission Pan (as shown)
	IS 350/350C	2014		
	IS 250/250C		4GR	



Automatic Transmission Serial Number Location

Engine/Transmission Reference (Continued)

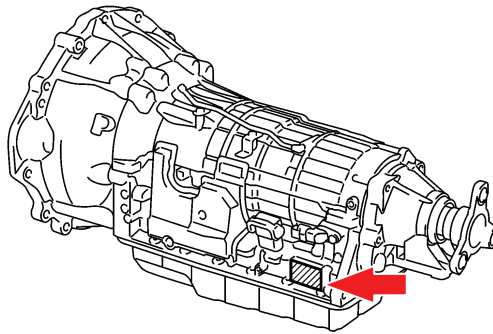
TRANSMISSION MODEL	MODEL	MODEL YEAR	ENGINE	SERIAL NUMBER
AB60F	LX 570	2008 – 2014	3UR	Example: 11 B T J 00001 11: Year of Manufacture B: Month of Manufacture (A - M, "I" not used) T: Plant code J: Line code (J or K) 00001: 5-Digit Serial Number Location: Left Rear Section of Transmission Case Above Transmission Pan (as shown)
				

TRANSMISSION MODEL	MODEL	MODEL YEAR	ENGINE	SERIAL NUMBER
A750E/F	GX 470	2006 – 2009	2UZ	Example: 09 B T1 00001 09: Year of Manufacture B: Month of Manufacture (A - M, "I" not used) T1/T2: Transmission Model Code (A750#) 00001: 5-Digit Serial Number Location: Left Rear Section of Transmission Case Above Transmission Pan (as shown)
	LX 470	2006 – 2007		
				

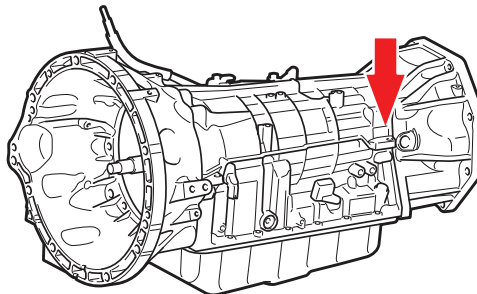
Automatic Transmission Serial Number Location

Engine/Transmission Reference (Continued)

TRANSMISSION MODEL	MODEL	MODEL YEAR	ENGINE	SERIAL NUMBER
A760E	GS 350	2007 – 2011, 2013	2GR	Example: 13 A TA 00001 13: Year of Manufacture A: Month of Manufacture (A - M, "I" not used) TA/TF: Transmission Model Code (A760E) 00001: 5-Digit Serial Number Location: Left Rear Section of Transmission Case Above Transmission Pan (as shown)
	IS 350/350C	2006 – 2013		



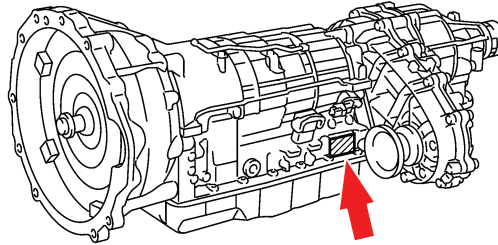
TRANSMISSION MODEL	MODEL	MODEL YEAR	ENGINE	SERIAL NUMBER
A760F	GX 460	2010 – 2014	1UR	Example: 12 A TN 03262 12: Year of Manufacture A: Month of Manufacture (A - M, "I" not used) TN: Transmission Model Code (A760F) 03262: 5-Digit Serial Number Location: Left Rear Section of Transmission Case Above Transmission Oil Pan (as shown)



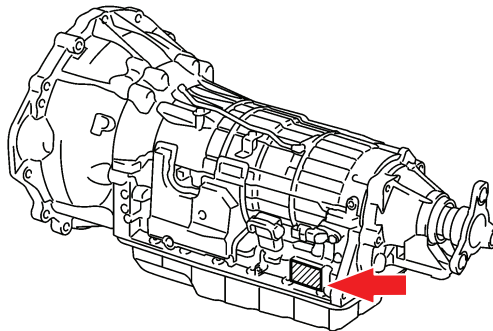
Automatic Transmission Serial Number Location

Engine/Transmission Reference (Continued)

TRANSMISSION MODEL	MODEL	MODEL YEAR	ENGINE	SERIAL NUMBER
A760H	GS 300	2006	3GR	Example: 12 A TB 00001 12: Year of Manufacture A: Month of Manufacture (A - M, "I" not used) TB: Transmission Model Code (A760H) 00001: 5-Digit Serial Number Location: Left Rear Section of Transmission Case Above Transmission Pan (as shown)
	GS 350	2007 – 2011 2013 – 2014	2GR	
	IS 350/350C	2006 – 2014		



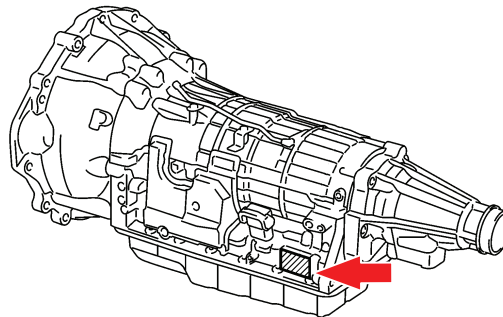
TRANSMISSION MODEL	MODEL	MODEL YEAR	ENGINE	SERIAL NUMBER
A761E	GS 430	2006 – 2007	3UZ	Example: 06 A TA 00001 06: Year of Manufacture A: Month of Manufacture (A - M, "I" not used) TA/TF: Transmission Model Code (A761E) 00001: 5-Digit Serial Number Location: Left Rear Section of Transmission Case Above Transmission Pan (as shown)
	LS 430	2006		
	SC 430	2006 – 2010		



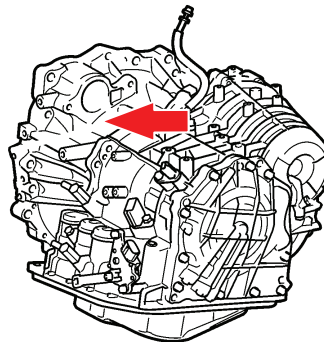
Automatic Transmission Serial Number Location

Engine/Transmission Reference (Continued)

TRANSMISSION MODEL	MODEL	MODEL YEAR	ENGINE	SERIAL NUMBER
A960E	GS 300	2006	3GR	Example: 14 A TC 00001 14: Year of Manufacture A: Month of Manufacture (A - M, "I" not used) TC: Transmission Model Code (A960E) 00001: 5-Digit Serial Number Location: Left Rear Section of Transmission Case Above Transmission Pan (as shown)
	IS 250/250C	2006 – 2014	4GR	



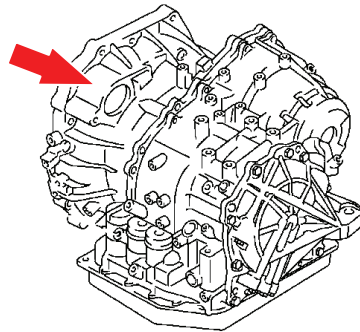
TRANSMISSION MODEL	MODEL	MODEL YEAR	ENGINE	SERIAL NUMBER
U151E/F (Japan Built)	ES 330	2006	3MZ	Example: 07 H D2 00001 07: Year of Manufacture H: Month of Manufacture (A - M, "I" not used) D2: Transmission Model Code (U151#) 00001: 5-Digit Serial Number Location: Slightly Off-Center to the Left on Top of Bell Housing of Transmission (as shown)
	RX 330			
	RX 350	2007 – 2009	2GR	



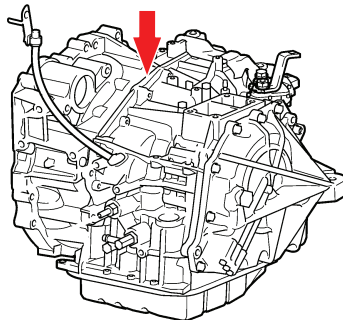
Automatic Transmission Serial Number Location

Engine/Transmission Reference (Continued)

TRANSMISSION MODEL	MODEL	MODEL YEAR	ENGINE	SERIAL NUMBER
U151E/F (TMMWV Built)	RX 330	2006	3MZ	Example: 5 7 01 00001 5: Plant (TMMWV) 7: Year of Manufacture 01: Month of Manufacture (January) 00001: 5-Digit Serial Number Location: Slightly Off-Center to the Left on Top of Bell Housing of Transmission (as shown)
	RX 350	2007 – 2009	2GR	



TRANSMISSION MODEL	MODEL	MODEL YEAR	ENGINE	SERIAL NUMBER
U660#	ES 350	2007 – 2014	2GR	Example: 2 A 14 C 1 00001 2: Plant Code A: Transmission Model Code (U660E) 14: Year of Manufacture C: Month of Manufacture (A - M, "I" not used) 1: Line Code 00001: 5-Digit Serial Number Location: Top of Bell Housing Towards Front of Transmission - Serial Number Will Be Stamped in Transmission Case (as shown)
	RX 350	2010 – 2014		



Automatic Transmission Serial Number Location

Engine/Transmission Reference (Continued)

TRANSMISSION MODEL	MODEL	MODEL YEAR	ENGINE	SERIAL NUMBER
U880F	RX 350	2013 – 2014	2GR	<p>Example: 13 D 56 00001 13: Year of Manufacture D: Month of Manufacture (A - M, "I" not used) 56: Line Code 00001: 5-Digit Serial Number Location: Lower Left Rear Section of Transmission Case (as shown)</p>
