

Remanufactured Automatic Transmission Serial Number Location

Service Category Drivetrain

Section Automatic Transmission/Transaxle

Market USA

Toyota Supports
 ASE Certification 

Applicability

YEAR(S)	MODEL(S)	ADDITIONAL INFORMATION
2006 – 2014	4Runner, Avalon, Camry, Corolla, FJ Cruiser, Highlander, Land Cruiser, Matrix, RAV4, Sequoia, Sienna, Solara, Tacoma, Tundra, Venza, Yaris	Transmission(s): 5AT, 4AT, 6AT

REVISION NOTICE

October 16, 2014 Rev2:

- Applicability has been updated to include 2011 – 2014 model year applicable Toyota vehicles.
- The Engine/Transmission Reference section has been updated.

October 16, 2009 Rev1:

- Applicability has been updated to include 2010 model year vehicles.

Any previous printed versions of this bulletin should be discarded.

SUPERSESSON NOTICE

The information contained in this bulletin supersedes SB No. TC013-06.

- Applicability has been updated to include 2008 – 2009 model year vehicles.

Service Bulletin No. TC013-06 is Obsolete and any printed versions should be discarded. Be sure to review the entire content of this bulletin before proceeding.

Introduction

The purpose of this bulletin is to assist in the identification and location of serial numbers on 2006 – 2014 model year remanufactured automatic transmissions.

Remanufactured Automatic Transmission Serial Number Location

Introduction (Continued)

NOTE

- When writing a Field Technical and/or Product Report, the serial number **MUST** be provided.
- Warranty policy requires shipment of **ALL** replaced transmissions to AWTEC, even if the transmission is replaced with a new service unit.
- Warranty policy requires the Core Return Credit Request (CRCR) form be filled out correctly and returned with the core.
- Per Toyota Warranty Policy & Procedures "[Policy 4.23: OEM and Remanufactured Automatic Transmission Replacement](#)":
 - Whenever a remanufactured or OEM automatic transaxle/transmission is replaced, the serial number from the back of the failed component must be recorded on the repair order hard copy and entered in the "*Transmission Serial Number*" field which can be found on the "*Additional Information*" tab of the warranty claim. Serial numbers listed on the warranty claim are matched to the cores returned to AWTEC. Claims without a matching core will be debited back to the dealer.
 - If any non-hybrid OEM or remanufactured automatic transaxles/transmissions and/or torque converters inadvertently appear on the Scrap Report, or if the Part Recovery Request Screen "*Scrap Field*" indicates "Y," **DO NOT SCRAP THESE PARTS**. All OEM and remanufactured automatic transaxles/transmissions and torque converters are still required to be shipped to AWTEC for remanufacture.

Warranty Information

OP CODE	DESCRIPTION	TIME	OFD	T1	T2
N/A	Not Applicable to Warranty	-	-	-	-

Engine/Transmission Reference

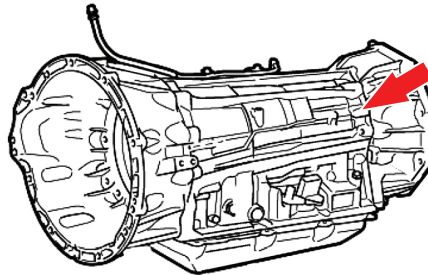
NOTE

Serial numbers on remanufactured transmissions are highlighted with paint.

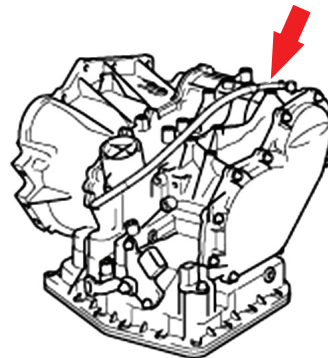
Remanufactured Automatic Transmission Serial Number Location

Engine/Transmission Reference (Continued)

TRANSMISSION MODEL	MODEL	MODEL YEAR	ENGINE	SERIAL NUMBER
AB60E/F	Land Cruiser	2008 – 2011, 2013 – 2014	3UR	Example: 08 A U 0001 P 08: Year of Manufacture A: Month of Manufacture (A - M, "I" not used) U: Transmission Model Code 0001: 4-Digit Serial Number P: Remanufactured Service Digit Location: Left Rear of Transmission Case About Halfway Up (as shown)
	Sequoia	2008 – 2014		
	Tundra	2007 – 2014		



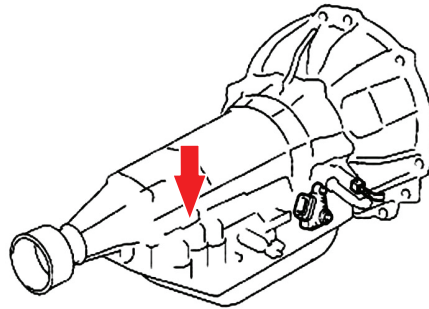
TRANSMISSION MODEL	MODEL	MODEL YEAR	ENGINE	SERIAL NUMBER
A24##	Corolla	2006 – 2008	1ZZ	Example: 06 A T 0001 P 06: Year of Manufacture A: Month of Manufacture (A - M, "I" not used) T: Transmission Model Code 0001: 4-Digit Serial Number P: Remanufactured Service Digit Location: On the Case Half Flange Above Differential (as shown)
	Matrix			



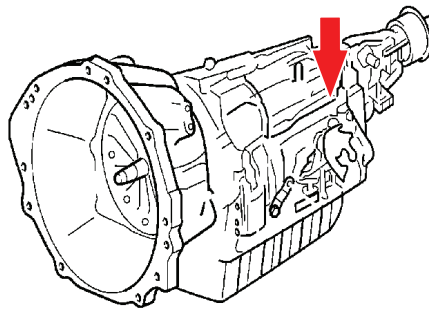
Remanufactured Automatic Transmission Serial Number Location

Engine/Transmission Reference (Continued)

TRANSMISSION MODEL	MODEL	MODEL YEAR	ENGINE	SERIAL NUMBER
A34#E/F	4Runner	2010 – 2011	2TR	Example: 12 A R 0001 P 12: Year of Manufacture A: Month of Manufacture (A - M, "I" not used) R: Transmission Model Code 0001: 4-Digit Serial Number P: Remanufactured Service Digit Location: Right Rear of Transmission Case About Halfway Up (as shown)
	Tacoma	2006 – 2014		



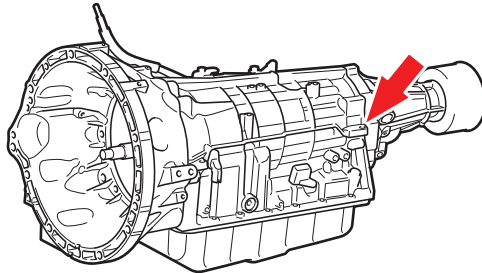
TRANSMISSION MODEL	MODEL	MODEL YEAR	ENGINE	SERIAL NUMBER
A750E/F	4Runner	2006 – 2014	1GR	Example: 08 A P 0001 P 08: Year of Manufacture A: Month of Manufacture (A - M, "I" not used) P: Transmission Model Code 0001: 4-Digit Serial Number P: Remanufactured Service Digit Location: Left Rear of Transmission Case About Halfway Up (as shown)
		2006 – 2009	2UZ	
	FJ Cruiser	2007 – 2014	1GR	
	Land Cruiser	2006 – 2007	2UZ	
	Sequoia	2006 – 2014		
	Tacoma	2006 – 2014	1GR	
	Tundra	2006 – 2014		
			2006 – 2009	



Remanufactured Automatic Transmission Serial Number Location

Engine/Transmission Reference (Continued)

TRANSMISSION MODEL	MODEL	MODEL YEAR	ENGINE	SERIAL NUMBER
A760E/F	Sequoia	2010 – 2014	1UR	Example: 11 A J 0001 A 11: Year of Manufacture A: Month of Manufacture (A - M, "I" not used) J: Transmission Model Code 0001: 4-Digit Serial Number A: Remanufactured Service Digit Location: Left Rear of Transmission Case Above Transmission Oil Pan (as shown)
	Tundra			



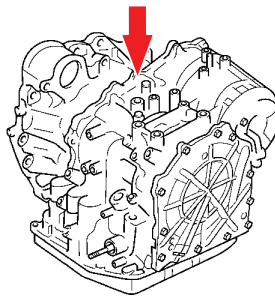
TRANSMISSION MODEL	MODEL	MODEL YEAR	ENGINE	SERIAL NUMBER
K313	Corolla	2014	2ZR	Example: 14 M T 0001 P 14: Year of Manufacture M: Month of Manufacture (A - M, "I" not used) T: Transmission Model Code 0001: 4-Digit Serial Number P: Remanufactured Service Digit Location: On the Case Half Flange Above Differential (as shown)



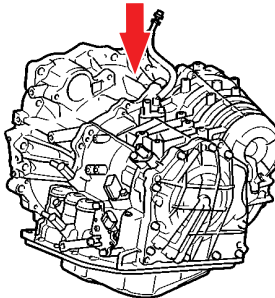
Remanufactured Automatic Transmission Serial Number Location

Engine/Transmission Reference (Continued)

TRANSMISSION MODEL	MODEL	MODEL YEAR	ENGINE	SERIAL NUMBER
U14##	Highlander	2006 – 2007	2AZ	Example: 13 A A 0001 P 13: Year of Manufacture A: Month of Manufacture (A - M, "I" not used) A: Transmission Model Code 0001: 4-Digit Serial Number P: Remanufactured Service Digit Location: Slightly Off-Center to the Right on Top of Bell Housing of Transmission (as shown)
	Matrix	2009 – 2014		
	RAV4	2006 – 2008		
		2009 – 2012	2AR	



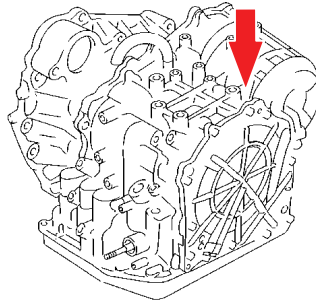
TRANSMISSION MODEL	MODEL	MODEL YEAR	ENGINE	SERIAL NUMBER
U15##	Avalon	2006 – 2007	2GR	Example: 11 A L 0001 P 11: Year of Manufacture A: Month of Manufacture (A - M, "I" not used) L: Transmission Model Code 0001: 4-Digit Serial Number P: Remanufactured Service Digit Location: Slightly Off-Center to the Right on Top of Bell Housing of Transmission (as shown)
	Camry	2006	1MZ	
			3MZ	
	Highlander	2006 – 2007	3MZ	
			2008 – 2013	
	RAV4	2006 – 2012		
	Sienna	2006	3MZ	
		2007 – 2010	2GR	
Solara	2006 – 2008	3MZ		



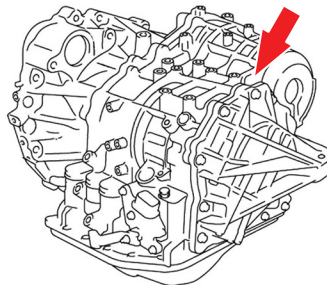
Remanufactured Automatic Transmission Serial Number Location

Engine/Transmission Reference (Continued)

TRANSMISSION MODEL	MODEL	MODEL YEAR	ENGINE	SERIAL NUMBER
U24##	Highlander	2006 – 2007	2AZ	Example: 11 A B 0001 P 11: Year of Manufacture A: Month of Manufacture (A - M, "I" not used) B: Transmission Model Code 0001: 4-Digit Serial Number P: Remanufactured Service Digit Location: Slightly Off-Center to the Rear of Transmission (as shown)
	RAV4	2006 – 2008		
			2009 – 2012	



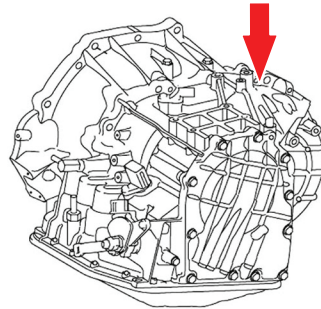
TRANSMISSION MODEL	MODEL	MODEL YEAR	ENGINE	SERIAL NUMBER
U250E	Camry	2006 – 2009	2AZ	Example: 12 A Q 0001 P 12: Year of Manufacture A: Month of Manufacture (A - M, "I" not used) Q: Transmission Model Code 0001: 4-Digit Serial Number P: Remanufactured Service Digit Location: Towards Rear of Transmission just to the Right (as shown)
	Corolla	2009 – 2013		
	Matrix			
	Solara	2006 – 2008		



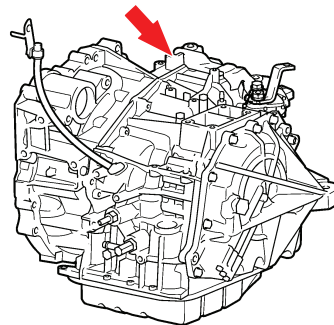
Remanufactured Automatic Transmission Serial Number Location

Engine/Transmission Reference (Continued)

TRANSMISSION MODEL	MODEL	MODEL YEAR	ENGINE	SERIAL NUMBER
U34##	Corolla	2009 – 2014	2ZR	Example: 13 A G 0001 P 13: Year of Manufacture A: Month of Manufacture (A - M, "I" not used) G: Transmission Model Code 0001: 4-Digit Serial Number P: Remanufactured Service Digit Location: To the Right on Case Flange Above Differential (as shown)
	Matrix			
	Yaris	2007 – 2014	1NZ	



TRANSMISSION MODEL	MODEL	MODEL YEAR	ENGINE	SERIAL NUMBER
U660#	Avalon	2008 – 2014	2GR	Example: 12 A Z 0001 A 12: Year of Manufacture A: Month of Manufacture (A - M, "I" not used) Z: Transmission Model Code 0001: 4-Digit Serial Number A: Remanufactured Service Digit Location: Top of Bell Housing Towards Front of Transmission - Serial Number will be Stamped in Transmission Case (as shown)
	Camry	2007 – 2014		
	Venza	2009 – 2014		



Remanufactured Automatic Transmission Serial Number Location

Engine/Transmission Reference (Continued)

TRANSMISSION MODEL	MODEL	MODEL YEAR	ENGINE	SERIAL NUMBER
U760E	Camry	2010 – 2014	2AR	Example: 13 A S 0001 P 13: Year of Manufacture A: Month of Manufacture (A - M, "I" not used) S: Transmission Model Code 0001: 4-Digit Serial Number P: Remanufactured Service Digit Location: On the Case Half Flange Above Differential, Slightly Rearward of Center (as shown)
	RAV4	2013 – 2014		
	Highlander	2009 – 2014	1AR	
	Venza			
