

# Shift Lever Slide Cover Deformation

Service  
Category Drivetrain

Section Automatic Transmission/Transaxle

Market USA

Toyota Supports  
ASE Certification 

## Applicability

YEAR(S)	MODEL(S)	ADDITIONAL INFORMATION
2013 – 2015	RAV4	

## Introduction

Some 2013 – 2015 model year RAV4 vehicles equipped with an automatic transmission may exhibit a condition where the shifter assembly does not operate smoothly due to deformed slide cover. The slide cover deforms when foreign substances like soda or other liquids are spilled onto the slide cover of the shifter. Follow the procedure in this bulletin to address this condition.

## Production Change Information

This bulletin applies to vehicles produced **BEFORE** the Production Change Effective VIN shown below.

MODEL	PLANT	ENGINE	PRODUCTION CHANGE EFFECTIVE VIN
RAV4	TMMC	2AR-FE	2T3DFREV#FW238514

## Warranty Information

OP CODE	DESCRIPTION	TIME	OFF	T1	T2
TC1404	R & R Shift Lever Plate	0.4	35975-0R030	28	13

### APPLICABLE WARRANTY

- This repair is covered under the Toyota Basic Warranty. This warranty is in effect for 36 months or 36,000 miles, whichever occurs first, from the vehicle's in-service date.
- Warranty application is limited to occurrence of the specified condition described in this bulletin.

## Shift Lever Slide Cover Deformation

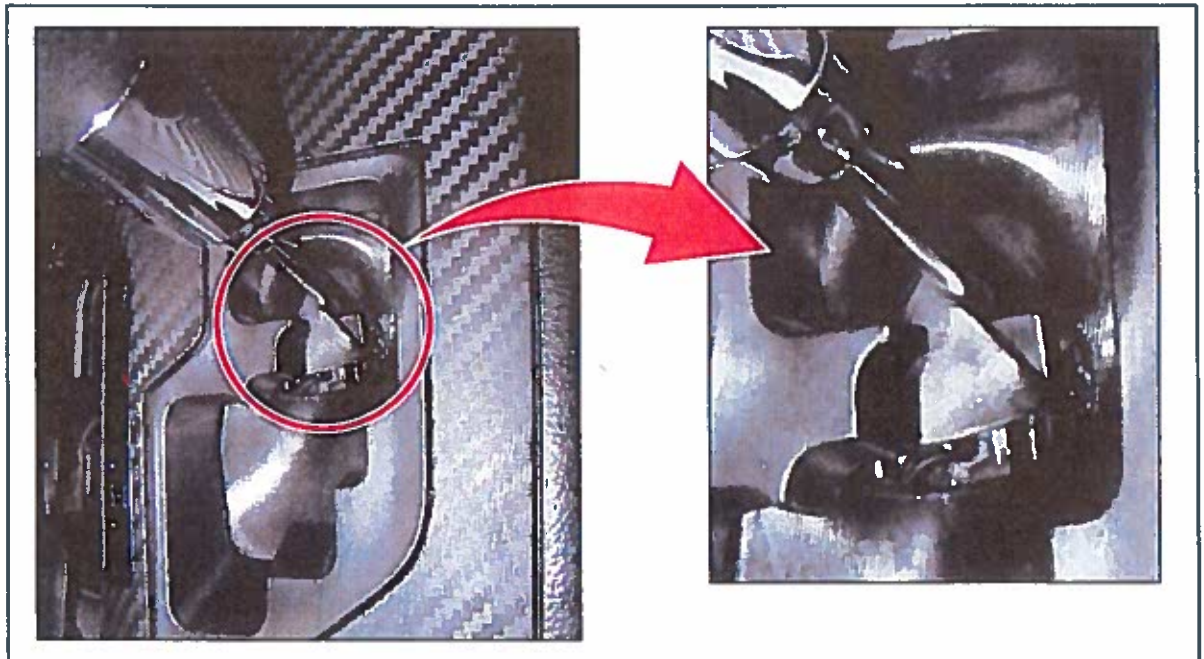
### Parts Information

PART NUMBER	PART NAME	QTY
35975-0R030	Cover, Slide (for Position Indicator)	1
35976-0R030	Cover, Slide, No. 2	1
35971-0R010	Housing, Position Indicator	1

### Repair Procedure

1. Inspect the vehicle for the following conditions:
  - Damaged Slide Cover due to deformation or distortion.
  - Difficult to move shifter due to interference (binding) of the Slide Cover (as shown in Figure 1).

**Figure 1.**



Does the vehicle present 1 or more of the described conditions?

- **YES** — Continue to step 2.
- **NO** — This bulletin does NOT apply. Continue diagnosis using the applicable Repair Manual.

## Shift Lever Slide Cover Deformation

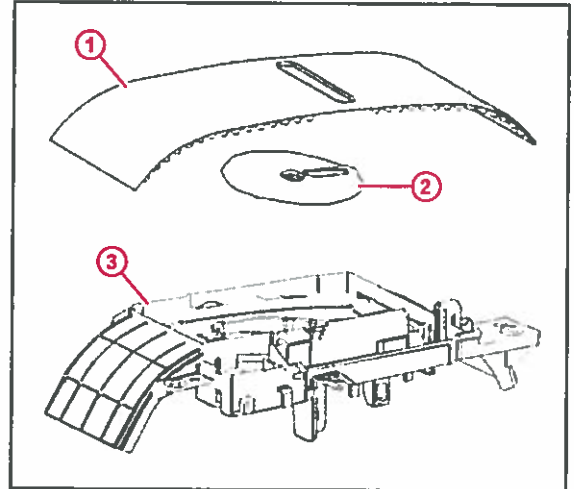
### Repair Procedure (Continued)

2. Remove and replace the Slide Cover, Slide Cover No. 2, and Position Indicator Housing.

Refer to the Technical Information System (TIS), applicable model and model year Repair Manual:

- 2013 – 2015 RAV4:
  - *Drivetrain – Automatic Transmission/Transaxle – “U760E / U760F Automatic Transmission/Transaxle: Shift Lever: Disassembly”*
  - *Drivetrain – Automatic Transmission/Transaxle – “U760E / U760F Automatic Transmission/Transaxle: Shift Lever: Reassembly”*

Figure 2.

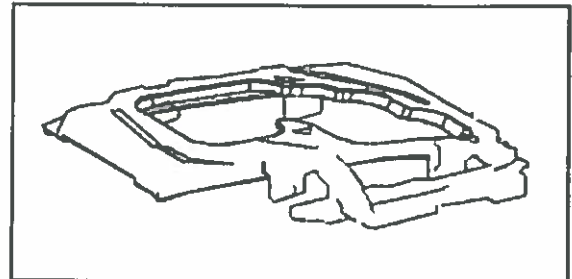


1	Slide Cover (P/N 35975-0R030)
2	Slide Cover No. 2 (P/N 35976-0R030)
3	Position Indicator Housing (P/N 35971-0R010)

#### NOTE

If the Slide Cover housing area has a significant amount of a sticky substance (e.g., soda or juice) after cleaning, it may be necessary to replace the Position Indicator Lens (P/N 35952-0R010, shown in Figure 3) in addition to the parts listed in the Parts Information section.

Figure 3. Position Indicator Lens



3. Confirm proper shifter operation moving through all positions.

