



Summary: BRP has received reports concerning the brake light staying lit when the brake pedal is resting on the bump stop. This will cause battery drainage.

Type: General

TST Detail:

Normal distance between the bump stop and the brake pedal when the brake light turns ON is 8 - 10 mm (0.3" - 0.4").



Normal distance between the bump stop and the brake pedal when the brake light turns OFF is 2 - 3 mm (0.08" - 0.12").



There are 2 reasons the brake light switch may not operate correctly:

1. The brake light switch support plate is warped
- OR
2. The brake light switch plunger is dirty and sticking.

This requires the replacement of the brake light switch (710003412) and possibly the support plate depending on the production date of the unit.

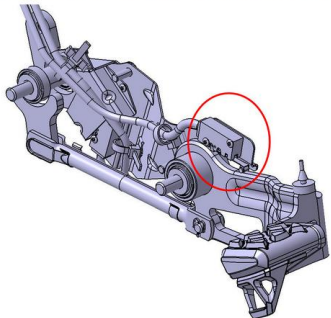
Follow this chart to know what to replace:

Production date	Support Plate 705001183	Brake Light Switch 710003412
Before 23rd January 2013	Yes	Yes
After 23rd January 2013	No	Yes

NOTE: You can confirm the production date of a unit by doing a VIN search in the Knowledge Center.

Don't forget to order pop rivets for the switches: 293150150 x 2 if you only replace the BLS, x 4 if you replace the support plate.

The BLS position changes with the new plate, the lever now rests on the brake pedal, refer to this illustration for proper position.



Attachment:

