

# Tire Pressure Warning System Activation & Initialization

Service  
Category General

Section Pre-Delivery Service

Market USA

Lexus Supports  
ASE Certification 

## Applicability

YEAR(S)	MODEL(S)	ADDITIONAL INFORMATION
2015	IS250C, IS350C	

## Introduction

2015 model year IS 250C/350C vehicles are equipped with a direct-type Tire Pressure Warning System (TPWS). Each tire (except the spare tire) has a tire pressure warning valve/sensor that measures tire pressure. The data is transmitted to the Tire Pressure Warning System antenna/receiver and then to the Tire Pressure Warning System ECU.

During Pre-Delivery Service (PDS), the tire pressure warning valves/sensors must be activated according to the procedure in this bulletin.

## Required Tools & Equipment

REQUIRED EQUIPMENT	SUPPLIER	PART NUMBER	QTY
Techstream 2.0*	ADE	TS2UNIT	1
Techstream Lite		TSLITEPDLR01	

\* Essential SST.

### NOTE

- Only ONE of the Techstream units listed above is required.
- Software version 9.10.037 or later is required.
- Additional Techstream units may be ordered by calling Approved Dealer Equipment (ADE) at 1-800-368-6787.

## Warranty Information

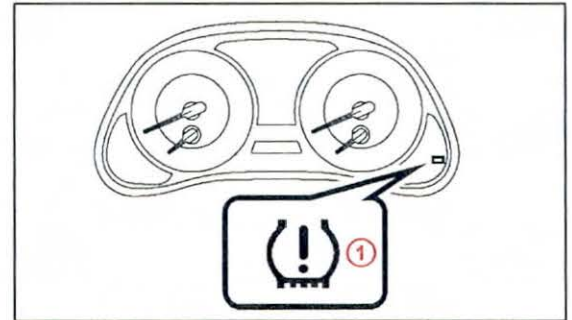
OP CODE	DESCRIPTION	TIME	OFFP	T1	T2
N/A	Not Applicable to Warranty	-	-	-	-

## Tire Pressure Warning System Activation & Initialization

### Reference

- After cycling the ignition to the "IG-ON" position, the Low Tire Pressure Warning Light will blink for 1 minute and then remain illuminated until all the tire pressure warning valves/sensors are activated.
- The Diagnostic Trouble Codes (DTCs) listed below are stored in the TPWS ECU until the tire pressure warning valves/sensors are activated.
- The DTCs will automatically clear when the tire pressure warning valves/sensors are activated.

Figure 1.



1	Low Tire Pressure Warning Light
---	---------------------------------

DTC *1	DTC *2	DTC
11	C2111	Transmitter ID1 Inactive
12	C2112	Transmitter ID2 Inactive
13	C2113	Transmitter ID3 Inactive
14	C2114	Transmitter ID4 Inactive

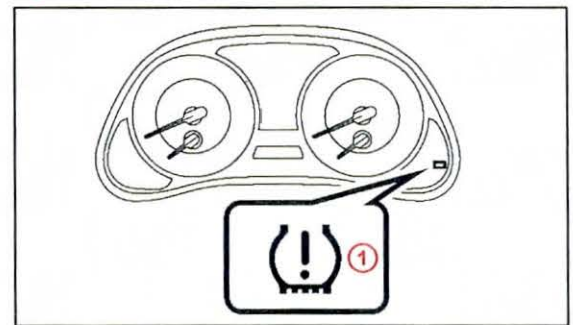
DTC \*1: indicated by blinking of the Low Tire Pressure Warning Light.

DTC \*2: indicated on Techstream.

### Activation Procedure

1. Connect Techstream.
2. Cycle the ignition switch to the "IG-ON" position and check that the Low Tire Pressure Warning Light blinks for 1 minute and then remains illuminated.

Figure 2.



1	Low Tire Pressure Warning Light
---	---------------------------------

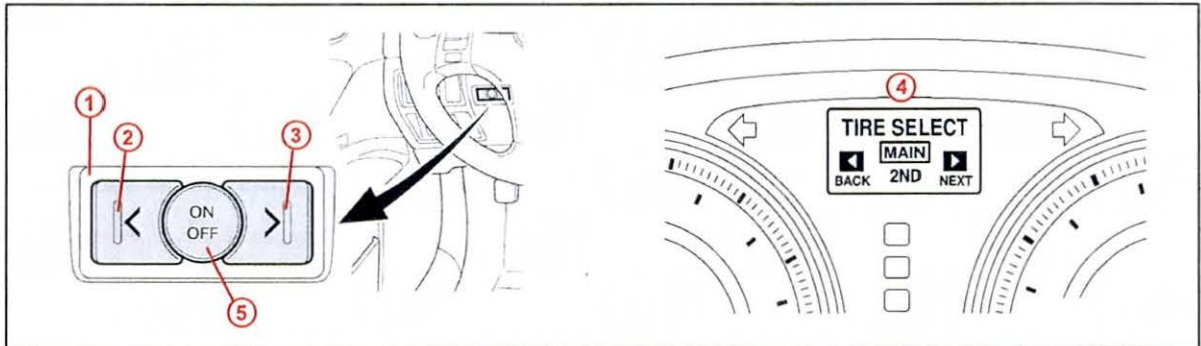
## Tire Pressure Warning System Activation & Initialization

### Activation Procedure (Continued)

3. Press and hold either the right or left side of the satellite switch until the multi-information display for "TIRE SELECT" appears. Check that "MAIN" is selected.

**NOTE**  
If "2ND" is selected, press the "ON/OFF" button until "MAIN" is selected.

Figure 3.



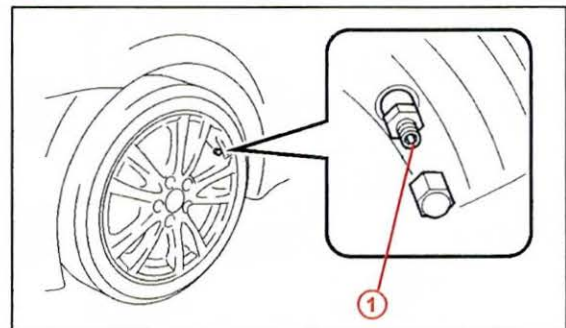
1	Satellite Switch
2	Left
3	Right

4	Multi-information Display
5	ON/OFF

4. Press or remove the valve core to reduce the tire inflation pressure rapidly by 6 psi (0.4 kgf/cm<sup>2</sup>, 40 kPa), or more, within 30 seconds.

**NOTE**  
This operation is required for the system to be activated and must be performed for each tire (except the spare tire), one at a time.

Figure 4.



1	Core
---	------

## Tire Pressure Warning System Activation & Initialization

### Activation Procedure (Continued)

5. Using Techstream, check for TPWS DTCs.
  - If NO DTCs are stored, go to step 1 of the initialization procedure.
  - If DTCs C2111 – C2114 are stored, repeat step 4.

**HINT**

If the tire inflation pressure is NOT reduced by 6 psi (0.4 kgf/cm<sup>2</sup>, 40 kPa), or more, within 30 seconds, the tire pressure warning valves/sensors will NOT be activated and DTCs C2111 – C2114 will be stored in the TPWS ECU.

**NOTE**

If DTCs C2111 – C2114 are present after repeating step 4, lift the vehicle and turn each tire 90 to 270 degrees. Then repeat step 4.

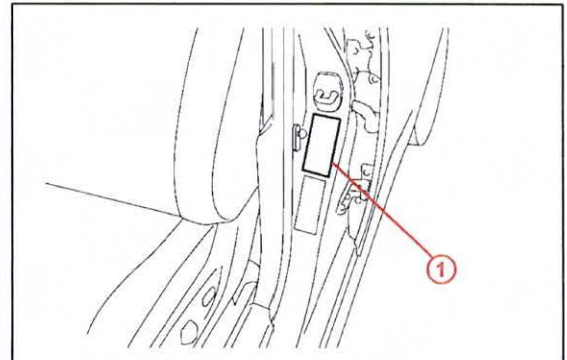
### Initialization Procedure

1. Adjust all tires (except the spare tire) to the standard tire inflation pressure, as indicated on the Tire and Loading Information label located inside the vehicle.

**NOTE**

- To adjust the tire pressure correctly when the outside temperature is significantly colder than shop temperature, perform a Health Check using Techstream and select the "Compensation Tire Pressure" checkbox. Compensation pressures will be displayed on the Health Check results screen.
- Adjust the tire pressure when the tires are cold.

Figure 5.



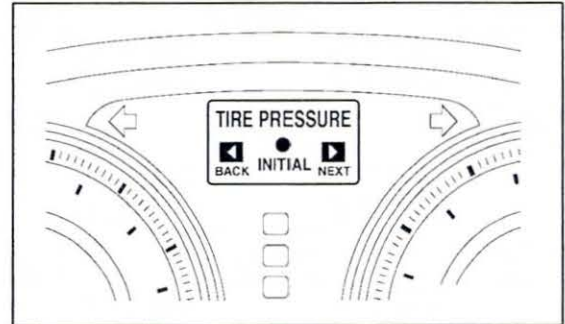
1 Tire and Loading Information Label

## Tire Pressure Warning System Activation & Initialization

---

### Initialization Procedure (Continued)

2. Press and hold the left or right side of the satellite switch to display the "TIRE PRESSURE". **Figure 6.**



3. Press and hold the "ON/OFF" button until the Low Tire Pressure Warning Light blinks 3 times and then turns OFF to set the tire pressure initialization.
4. Cycle the ignition "OFF" and then to "IG-ON"

**NOTE**

It is necessary for the ignition to be in the "IG-ON" mode AT LEAST 5 minutes for initialization to complete correctly.

5. Check the tire pressure values of all the tires using Techstream.  
TPWS ECU / DATA LIST / TIREPRESS 1-4

**NOTE**

It can take 2 – 3 minutes for the tire pressure values to be displayed on the Techstream Data List.