

TECHNICAL BULLETIN
LTB00594NAS1
27 SEP 2013



© Jaguar Land Rover North America, LLC

NOTE: The information in Technical Bulletins is intended for use by trained, professional Technicians with the knowledge, tools, and equipment required to do the job properly and safely. It informs these Technicians of conditions that may occur on some vehicles, or provides information that could assist in proper vehicle service. The procedures should not be performed by 'do-it-yourselfers'. If you are not a Retailer, do not assume that a condition described affects your vehicle. Contact an authorized Land Rover service facility to determine whether this bulletin applies to a specific vehicle.

SECTION: 414-01

Battery Positive Post and Battery Box Modification

AFFECTED VEHICLE RANGE:

Range Rover Sport (LW)

Model Year: 2014
VIN: EA000001-EA304822

Range Rover (LG)

Model Year: 2013-2014
VIN: DA000001-EA131231

MARKETS:

NAS

CONDITION SUMMARY:

Situation: The engine may not start and battery power may not be available. A Midtronics test yields a failed battery.

Cause: This may be caused by an internal battery issue due to insufficient retention of the battery combined with battery positive cable trap under vehicle spare wheel which transfers forces generated by vehicle dynamics (vibration) into the battery positive terminal post, leading to fractures within the battery terminal post and resulting in an open circuit condition.

Action: Should a customer express this concern, follow the Service Instruction outlined below.

PARTS:

Interstate Battery	Battery	Quantity: 1
MT5-49/H8		
LR055390	Cable Clip	Quantity: 1
LR055670	Battery Pad	Quantity: 1
LR056022	Snubber	Quantity: 8

TOOLS:

SDD with latest DVD and Calibration File
Jaguar Land Rover-approved Midtronics battery power supply

WARRANTY:



NOTE: Repair procedures are under constant review, and therefore times are subject to change; those quoted here must be taken as guidance only. Always refer to TOPIx to obtain the latest repair time.



NOTE: DDW requires the use of causal part numbers. Labor only claims must show the causal part number with a quantity of zero.

DESCRIPTION	SRO	TIME (HOURS)	CONDITION CODE	CAUSAL PART
Remove and replace battery including BMS reset - Range Rover Sport	86.15.01.02	0.5	39	LR033179

Remove and replace battery including BMS reset - Range Rover	86.15.01.02	0.4	39	LR033179
Fit snubbers, battery pad, and clip	05.10.50	0.5	39	LR033179



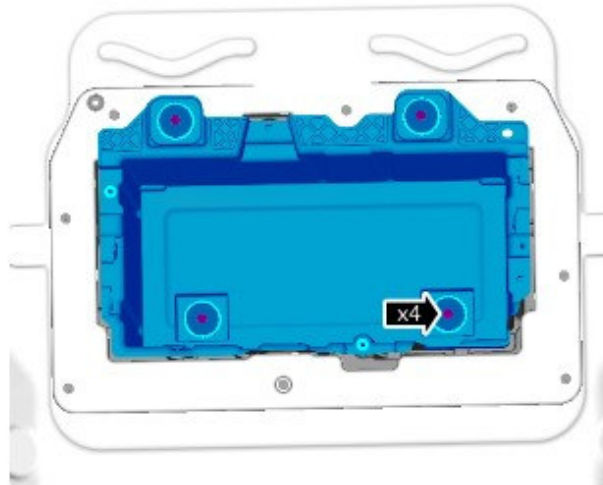
NOTE: Normal Warranty policies and procedures apply.

SERVICE INSTRUCTION:

1. Remove the battery (see TOPIX Workshop Manual, Section 414-01).

2.  **CAUTION: Make sure that the surface is clean and free of foreign material.**

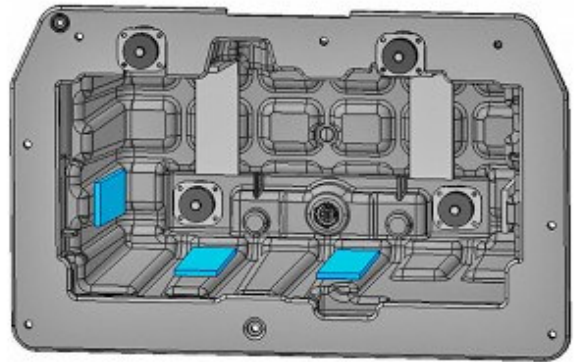
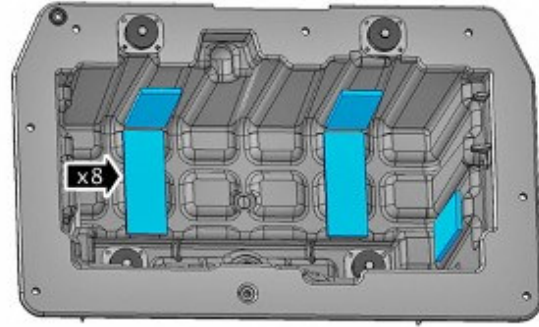
Remove the inner battery tray.



E159911

3. Apply eight (8) 120x45x6mm Rubber Snubber Pads.

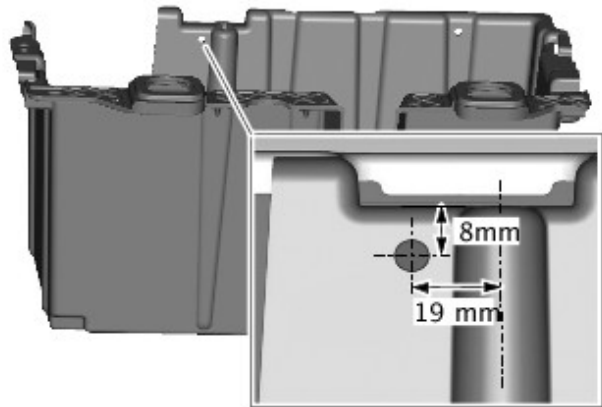
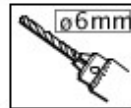
- Pads 80-90mm from top surface.



E159912

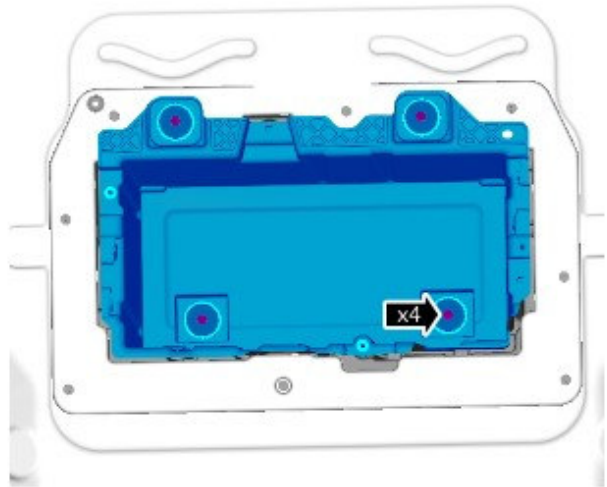
4.  **NOTE: The 6mm hole is to be drilled in the rear right corner of the battery box.**

Drill 6mm hole for cable fir-tree fixing.



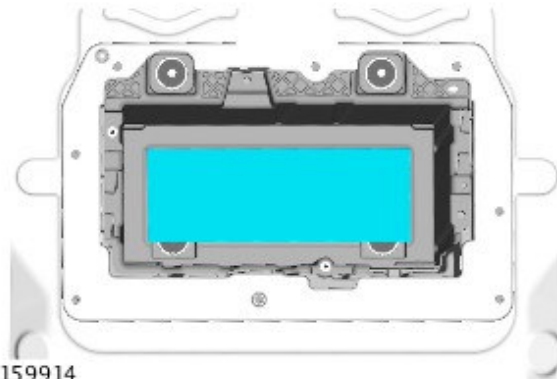
E159913

5. Torque to 7Nm.



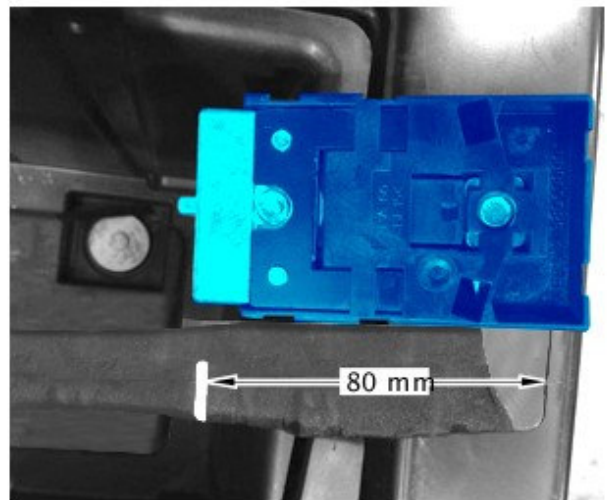
E159911

6. Fit battery pad.



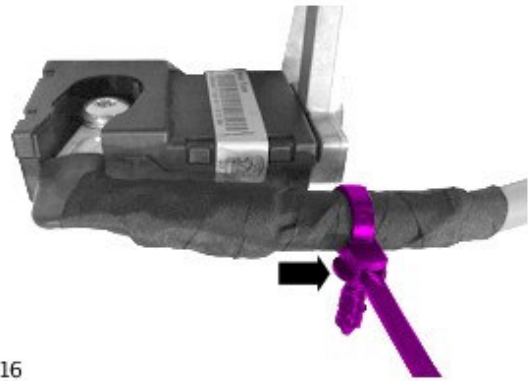
E159914

7. Position of clip 80mm from end of terminal.



E159915

8. Install new clip.

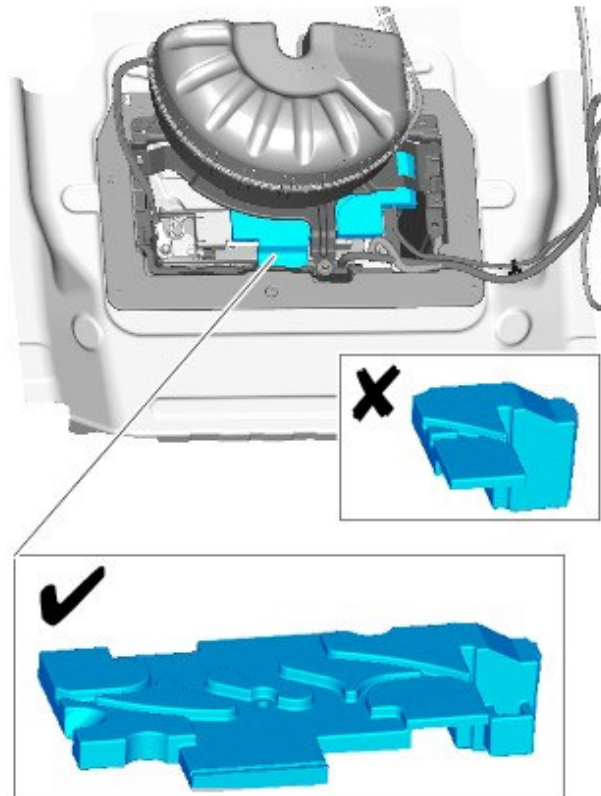


E159916

9. **⚠ CAUTION: The correct Foam EPP pad must be present; without the correct pad, battery is not restrained and will lead to premature failure.**

Check the correct foam pad is fitted.

- If the correct pad is fitted, continue to the next step.
- If the correct pad is not fitted, install the correct pad.



E159909

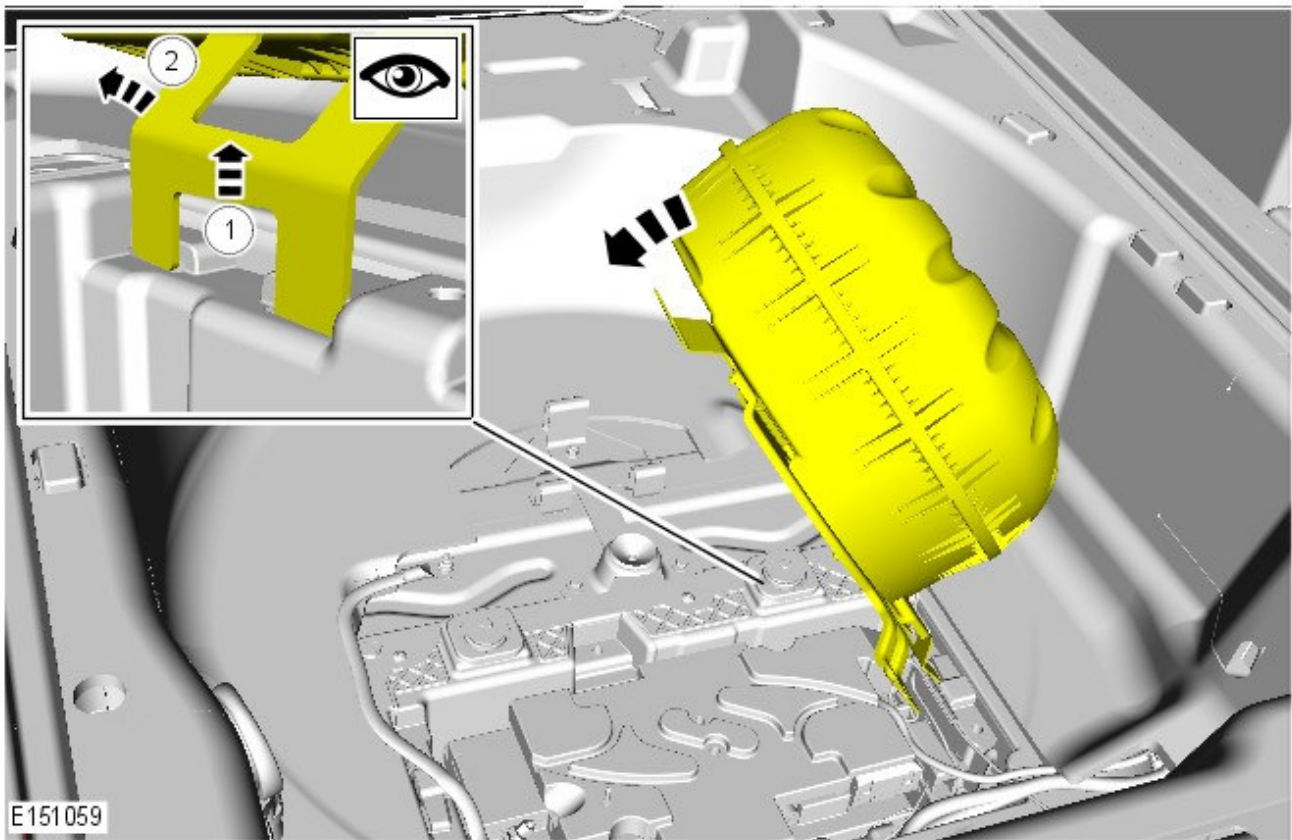
10. **⚠ CAUTION: Make sure the air suspension compressor is located correctly in its mounting bracket.**

⚠ CAUTION: Make sure that the Battery Monitoring System (BMS) module wiring harness does not get caught beneath the battery securing clamp.

⚠ CAUTION: Make sure that the battery is positioned fully outboard on the battery tray and that no harnesses or hoses are trapped before securing the battery with the bolts.

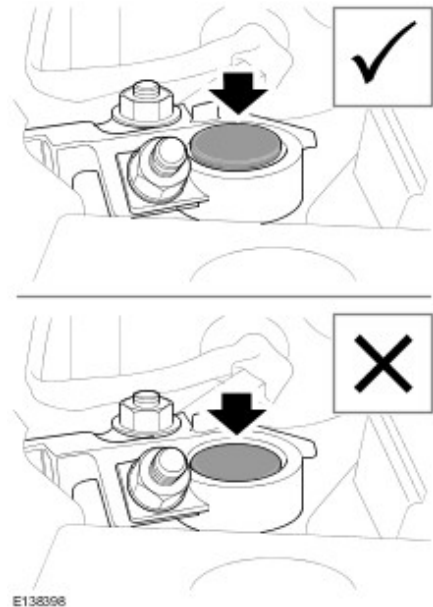
⚠ CAUTION: Make sure the component is correctly located on its mounting bracket. Lift the component by 10 mm before lowering into position.

To install, reverse the removal procedure.



11.  **CAUTION: Make sure the battery cables are installed correctly to the battery.**

When fitting the battery cables, make sure they are installed correctly.



12. Use SDD to reset the Battery Monitoring System.