

© 2013 Mazda Motor of America, Inc.

Subject: SPECIAL SERVICE TOOL SHIPMENT - AUGUST 2013	Bulletin No: 00-003/13
	Last Issued: 08/22/2013

APPLICABLE MODEL(S)/VINS

2014 Mazda6 (SKYACTIV)

2014 Mazda3 (SKYACTIV)

DESCRIPTION/PRICING

In support of the new 2014 Mazda6 and the 2014 Mazda3, Mazda will ship to all dealers two (2) new Special Service Tool (SST). The SST will be shipped automatically by Mazda's tool vendor, Bosch during the month of August 2013.

The following SST is the latest addition to the Mazda Required Tool (MRT) list.

Part Number	Description	Pricing
MAZ009933	Lane Departure Calibration Target Board	\$72.35
49B0-66-803	CD Unit Removal Tool	\$10.00

BILLING INFORMATION

Tool(s) will be automatically invoiced to your dealer parts account statement. If your accounting department has any questions regarding this invoicing, please call Mazda Special Service Tools (949-442-6539).

SHIPPING INFORMATION

Tools will be shipped via UPS Ground to your service department in August 2013.

Please advise your shipping/receiving personnel of this tool shipment.

OBTAINING ADDITIONAL TOOLS

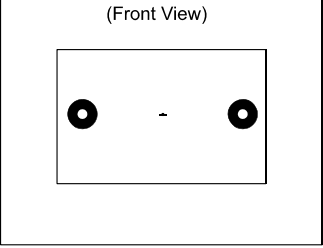
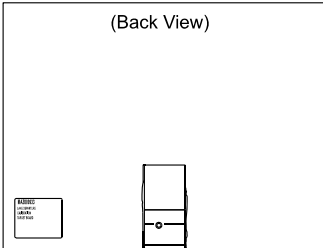
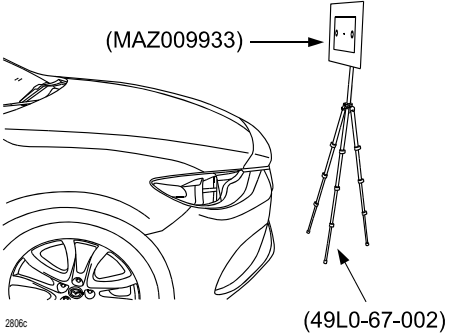
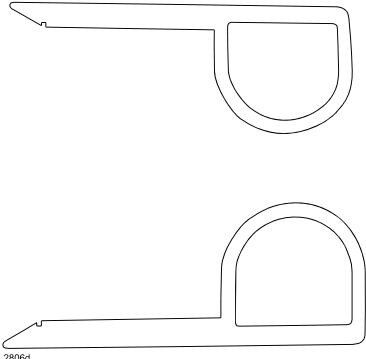
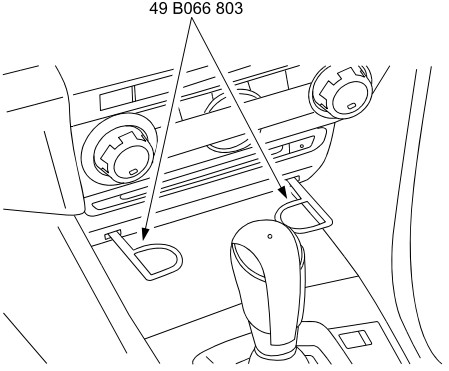
To order additional SSTs, submit orders via MStore at <http://dealers.mazdausa.com>.

CUSTOMER SERVICE INFORMATION

For warranty or product information call Bosch Automotive Service Solutions OTC at (800)533-5338.

CONSUMER NOTICE: The information and instructions in this bulletin are intended for use by skilled technicians. Mazda technicians utilize the proper tools/equipment and take training to correctly and safely maintain Mazda vehicles. These instructions should not be performed by "do-it-yourselfers." Customers should not assume this bulletin applies to their vehicle or that their vehicle will develop the described concern. To determine if the information applies, customers should contact their nearest authorized Mazda dealership. Mazda North American Operations reserves the right to alter the specifications and contents of this bulletin without obligation or advance notice. All rights reserved. No part of this bulletin may be reproduced in any form or by any means, electronic or mechanical---including photocopying and recording and the use of any kind of information storage and retrieval system ---without permission in writing.

SPECIAL SERVICE TOOL (SST) AND USAGE

<p>PART NUMBER / NAME: MAZ009933 Lane Departure Calibration Target Board</p> <p>APPLICABLE MODELS: 2014 Mazda3 (SKYACTIV) 2014 Mazda6 (SKYACTIV)</p> <p>USAGE: To check for proper operation of the Forward Sensing Camera on vehicles equipped with the Lane Departure Warning System (LWDS).</p>	<p>OVERVIEW</p> <p>(Front View)</p>  <p>2806a</p> <p>(Back View)</p>  <p>2806b</p>	<p>USAGE</p> <p>Utilized with the Forward Sensing Camera Aiming Procedure in the Body and Accessories section of the Workshop Manual. The tri-pod is part of the dealer MRT inventory.</p>  <p>(MAZ009933)</p> <p>(49L0-67-002)</p> <p>2806c</p>
<p>PART NUMBER / NAME: 49B0-66-803 CD Unit Removal Tool</p> <p>APPLICABLE MODELS: 2014 Mazda3 (SKYACTIV)</p> <p>USAGE: To remove the CD player unit from the vehicle</p>	<p>OVERVIEW</p>  <p>2806d</p>	<p>USAGE</p> <p>Used to remove the CD player without causing damage to the vehicle interior.</p>  <p>49 B066 803</p> <p>2806e</p>