

Subject: POWER LIFTGATE CLOSSES BUT DOES NOT LATCH COMPLETELY	Bulletin No: 09-017/13
	Last Issued: 05/28/2013

APPLICABLE MODEL(S)/VINS

2007-2013 CX-9 vehicles with VINs lower than JM3 TB ***** 418826 (produced before April 4, 2013)

DESCRIPTION

Some customers may experience a power liftgate (PLG) that closes but does not latch completely when the PLG button is pressed.

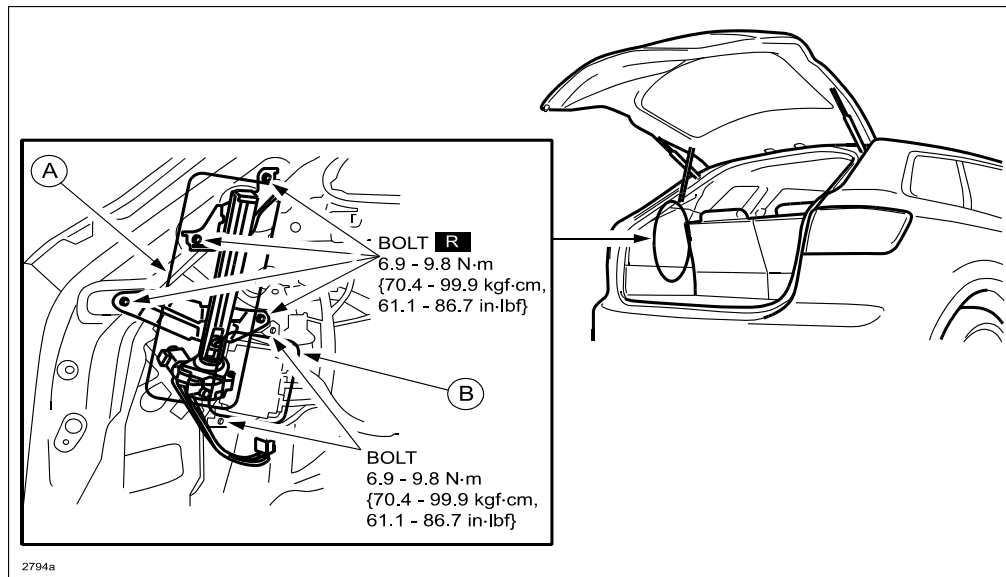
Customers having this concern should have their vehicle repaired using the following repair procedure.

REPAIR PROCEDURE

Replace the PLG driver, PLG slider and PLG control module.

1. Verify customer concern.
2. Disconnect the negative battery cable.
3. Replace the PLG driver and PLG slider (A). Refer to MS3 online or Workshop Manual:
 - PLG driver - section 09-11 POWER LIFTGATE (PLG) DRIVE UNIT REMOVAL/INSTALLATION
 - PLG slider - section 09-11 POWER LIFTGATE (PLG) SLIDER REMOVAL/INSTALLATION

NOTE: Install with 4 new bolts and torque them to 61.1 - 86.7 in-lbf (70.4 - 99.9 kgf-cm).



4. Replace the PLG control module (B). Refer to MS3 online or Workshop Manual (section 09-11 POWER LIFTGATE (PLG) CONTROL MODULE REMOVAL/INSTALLATION).

NOTE: Install with 2 new bolts and torque them to 61.1 - 86.7 in-lbf (70.4 - 99.9 kgf-cm).

Bulletin No: 09-017/13 © 2013 Mazda Motor of America, Inc.	Last Issued: 05/28/2013
--	--------------------------------

5. Install in the reverse order of removal.
6. Verify repair.

PART(S) INFORMATION

Part Number	Description	Qty.	Notes
TK21-62-6EX	PLG driver & slider	1	Replace as a set
TK21-62-6H0	PLG control module	1	
9YA0-2A-610	Bolt	4	PLG driver & slider fixing bolts
9946-60-616	Bolt	2	PLG control module fixing bolts

WARRANTY INFORMATION

NOTE:

- This warranty information applies only to verified customer complaints on vehicles eligible for warranty repair.
- This repair will be covered under Mazda's New Vehicle Limited Warranty term.
- Additional diagnostic time cannot be claimed for this repair.

Warranty Type	A
Symptom Code	42
Damage Code	9W
Part Number Main Cause	TK21-62-6H0
Quantity	1
Operation Number / Labor Hours:	XXJ6SXRX / 0.8 Hrs.