

© 2013 Mazda Motor of America, Inc.

Subject: DISCONTINUATION OF FRONT DISC PLATE FIXING SCREWS	Bulletin No: 04-001/13
	Last Issued: 01/30/2013

APPLICABLE MODEL(S)/VINS

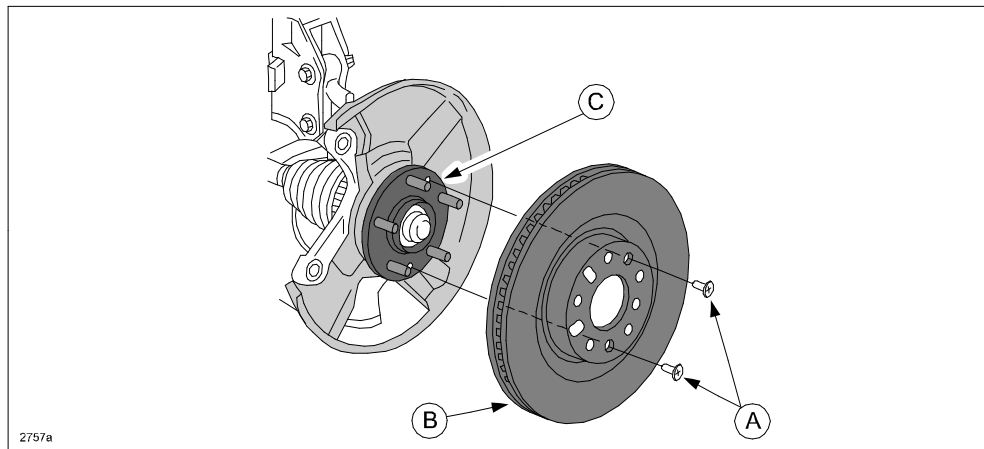
2007-2012 CX-7

2007-2013 CX-9

2006-2013 MX-5

DESCRIPTION

The front disc plate fixing screws (A) have been discontinued. With this change, the disc plate (B) and wheel hub (C) have been modified without fixing holes, eliminating the need for the fixing screws (A).



REPAIR PROCEDURE

Vehicles built without fixing holes do not require fixing screws.

When you install a modified disc plate or wheel hub (without fixing holes) on a vehicle built with fixing screws, the fixing screws are no longer required. You can discard the old screws.

NOTE: There is no problem even if the screws are installed only on one side.

PART(S) INFORMATION

Modified Parts (without fixing holes)

Part Number	Description	Notes
L214-33-25X	Front disc plate	CX-7
TD13-33-25X	Front disc plate	CX-9
N12Y-33-25XB	Front disc plate	MX-5
L206-33-060A	Front wheel hub	CX-7
TD11-33-060A	Front wheel hub	CX-9
NE51-33-04XA	Front wheel hub	MX-5