

TECHNICAL BULLETIN
JTB00245NAS1
06 SEP 2013



© Jaguar Land Rover North America, LLC

NOTE: The information in Technical Bulletins is intended for use by trained, professional Technicians with the knowledge, tools, and equipment required to do the job properly and safely. It informs these Technicians of conditions that may occur on some vehicles, or provides information that could assist in proper vehicle service. The procedures should not be performed by 'do-it-yourselfers'. If you are not a Retailer, do not assume that a condition described affects your vehicle. Contact an authorized Jaguar service facility to determine whether this bulletin applies to a specific vehicle.

SECTION: 501-00

Door Seal Noise

AFFECTED VEHICLE RANGE:

XF (X250)

Model Year: 2009-2013

VIN: R00019-S80205

MARKETS:

USA

CONDITION SUMMARY:

Situation: A customer may report a concern of a 'creak' / 'click' / 'tick' noise from the front and or rear doors.

Cause: This may be caused by the margin seal moving on the extrusion and tacking against the door aperture.

Action: Should a customer express this concern, follow the Service Instruction outlined below.

PARTS:

C2Z27138	Front/Right Door Seal Margin	Quantity: 1
C2Z27139	Front/Left Door Seal Margin	Quantity: 1
C2Z27141	Rear/Right Door Seal Margin	Quantity: 1
C2Z27143	Rear/Left Door Seal Margin	Quantity: 1

TOOLS:

No Tools Required

WARRANTY:

 **NOTE: Repair procedures are under constant review, and therefore times are subject to change; those quoted here must be taken as guidance only. Always refer to TOPIx to obtain the latest repair time.**

 **NOTE: DDW requires the use of causal part numbers. Labor only claims must show the causal part number with a quantity of zero.**

DESCRIPTION	SRO	TIME (HOURS)	CONDITION CODE	CAUSAL PART
Replace Seals - Vehicle Set	76.40.47	0.7	41	C2Z13664 (Front Right); C2Z13665 (Front Left); C2Z11446 (Rear Right); C2Z11447 (Rear Left)

 **NOTE: Normal Warranty policies and procedures apply.**

SERVICE INSTRUCTION:

Steps 1-7: Front Door Seal Replacement

1.  **NOTE: The fitted position of the component prior to release**

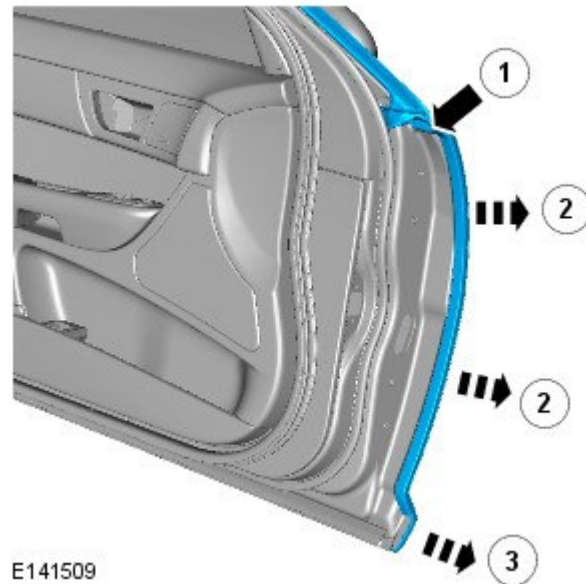
Release the front right door seal.



2.  **NOTE: Front left door shown; front right door similar.**

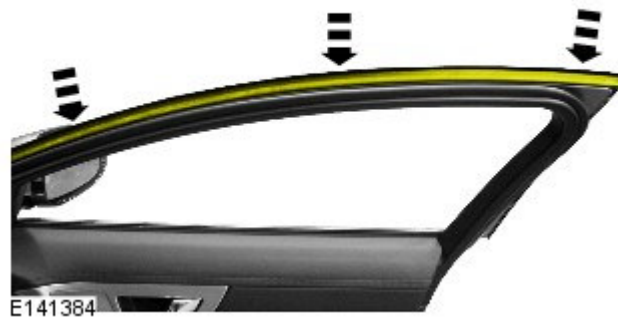
Remove the front right door seal.

- Release the clip.
- Release the seal.
- Release the adhesive strip.



3. Install the front right door seal.

- Locate the inner section of the door seal in to the locating tang.
- Repeat along the full length of the seal.



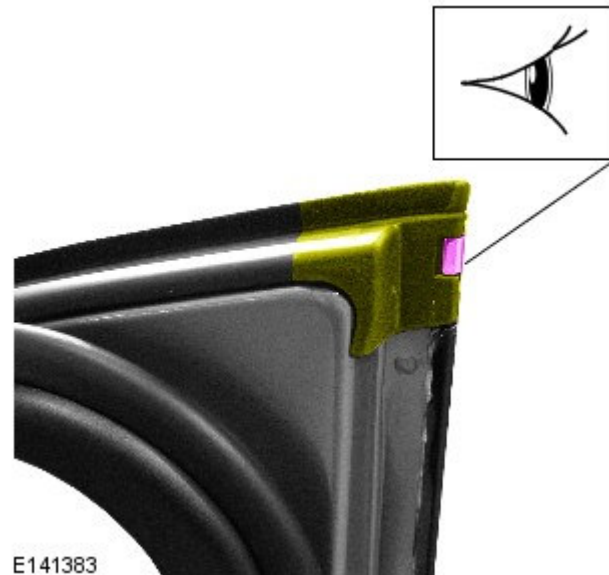
4. Secure the front right door seal.

- Locate the outer section of the door seal in to the locating tang.
- Repeat along the full length of the seal.



E141382

5. Secure the seal in the clip.

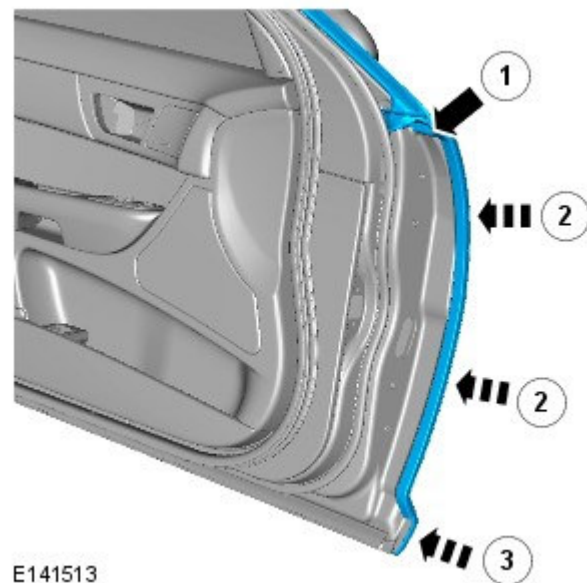


E141383

6.  **NOTE: Front left door shown; front right door similar.**

Secure the front right door seal.

- Secure the clip.
- Secure the seal.
- Secure the adhesive strip.



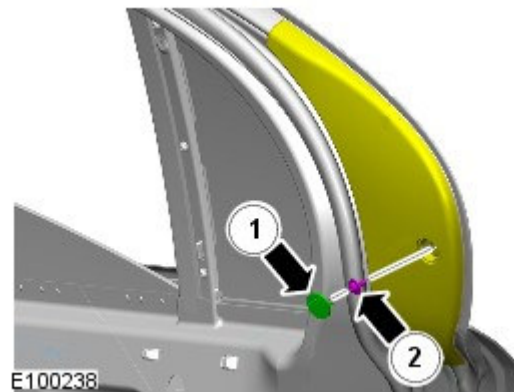
E141513

7. Repeat steps 1-6 to the front left door.

Steps 8-18: Rear Door Seal Replacement

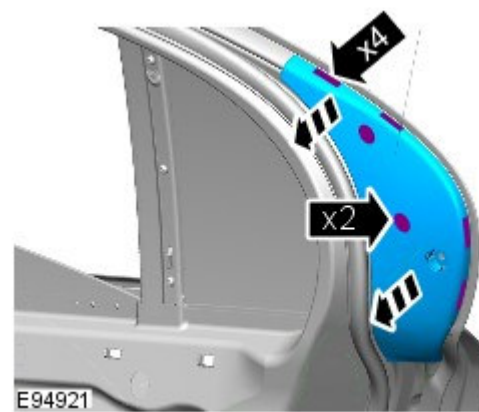
8. Release the rear right door trim cover.

- Remove the bolt cover.
- Remove the Torx bolt.



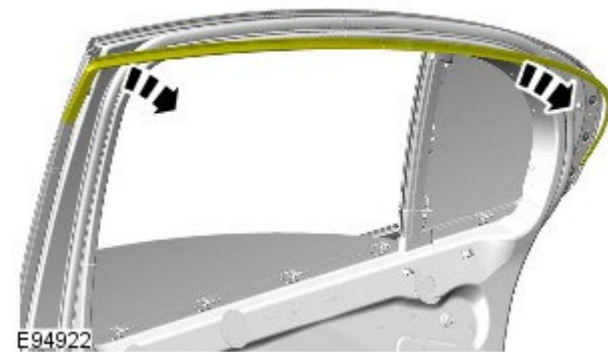
9. Remove the rear right door trim cover.

- Release the six (6) clips.



10.  **NOTE: The fitted position of the component prior to release**

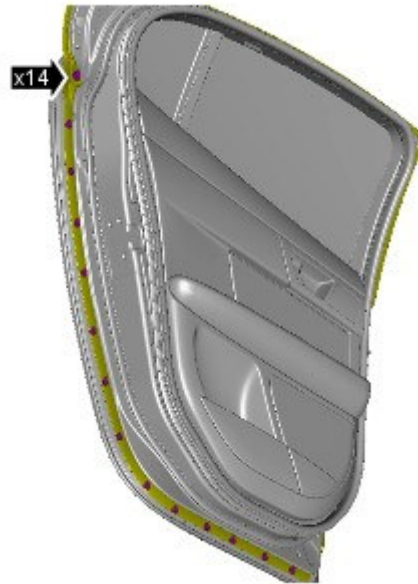
Release the rear right door seal.



11.  **NOTE: Rear left door shown; rear right door similar.**

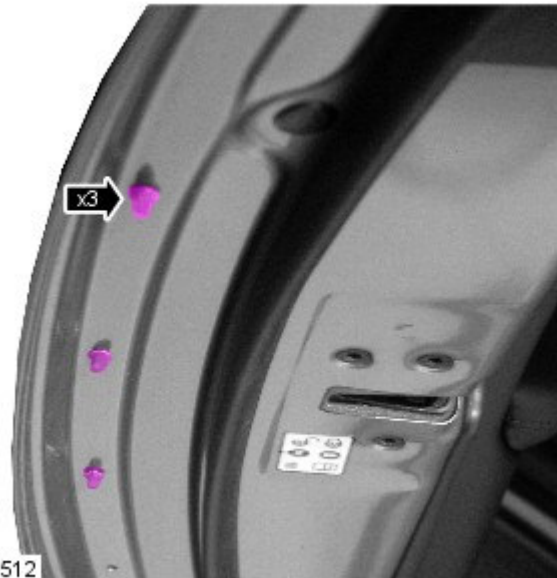
Release the rear right door seal.

- Release the 14 clips.



E141511

12. Using a suitable tool, remove any clips remaining.

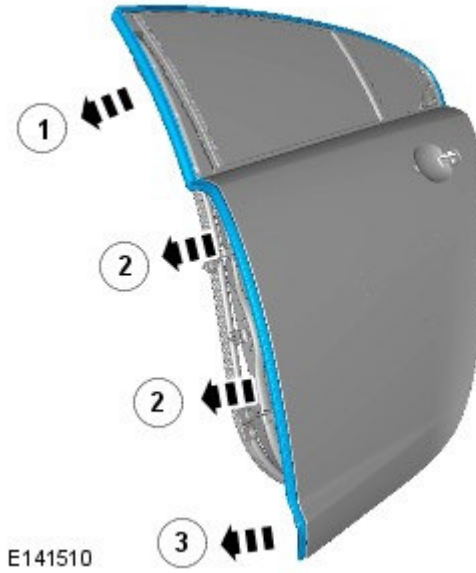


E141512

13.  **NOTE: Rear left door shown; rear right door similar.**

Remove the rear right door seal.

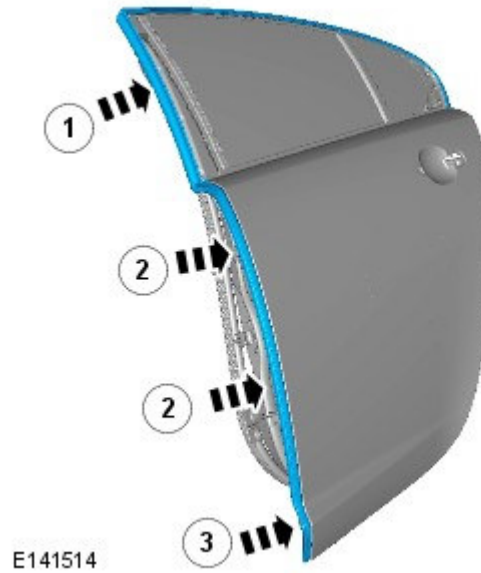
- Remove the clip.
- Remove the seal.
- Remove the adhesive strip.



14.  **NOTE: Rear left door shown; rear right door similar.**

Install the rear right door seal.

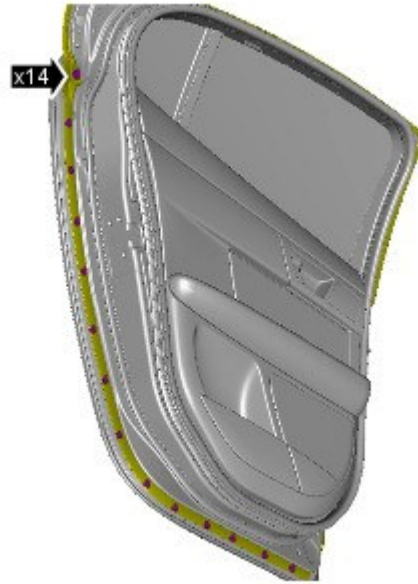
- Secure the seal.
- Secure the seal.
- Secure the adhesive strip.



15.  **NOTE: Rear left door shown; rear right door similar.**

Secure the rear right door seal.

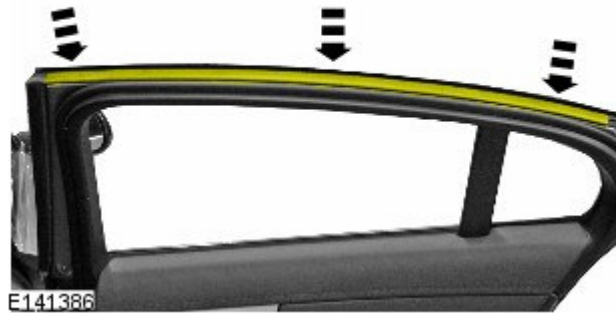
- Secure the fourteen clips.



E141511

16. Secure the rear right door seal.

- Locate the inner section of the door seal in to the locating tang.
- Repeat along the full length of the seal.



E141386

17. Secure the rear right door seal.

- Locate the outer section of the door seal in to the locating tang.
- Repeat along the full length of the seal.



E141387

18. Install the rear right door trim cover.

- Secure the six (6) clips.
- Install the Torx bolt.
- Install the Torx bolt cover.

19. Repeat steps 8-18 to the rear left door.