



Service Bulletin

File in Section: -

Bulletin No.: PI1116

Date: November, 2013

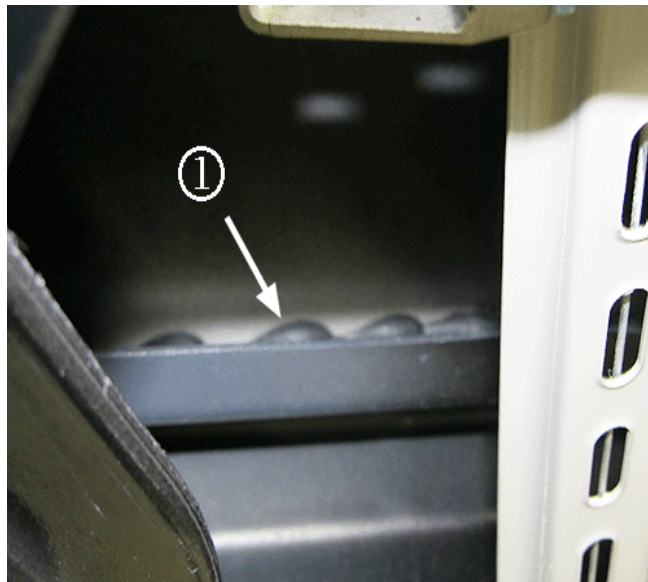
PRELIMINARY INFORMATION

Subject: Door Rattle Noise from Outside of Vehicle During High Radio Volume or High Bass Levels

Models: 2014 Chevrolet Corvette
Built Prior to VIN Breakpoint E5105000

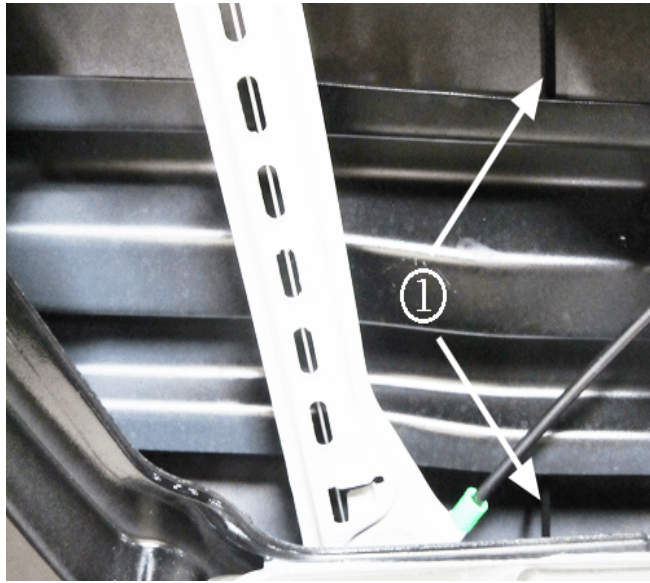
Condition/Concern

Some customers may comment on hearing a driver or passenger front side door rattle noise during high radio volume or high bass levels. The noise is most commonly described as more evident from outside the vehicle rather than inside.



3652282

The cause of this condition may be voids in adhesive (1), leaving gaps between the inner door beam and the door skin.



3652284

The graphic above shows an example in which a tie strap (1) was passed through a 15-20 cm (6-8 in) length gap where the adhesive was missing towards the center of the door.

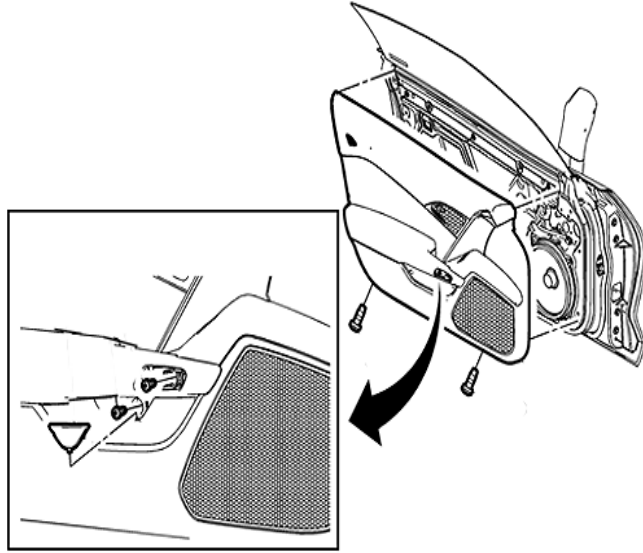


3652286

This can also occur in the front and/or rear area of the door beam; with the condition sometimes more evident in the front area (shown above) where the radio speaker is mounted.

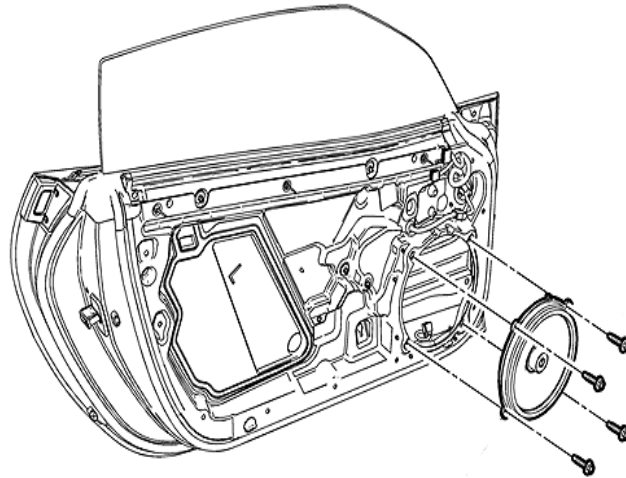
Recommendation/Instructions

Inspect the front side door beam and door skin gap for voids and add a bead of butyl ribbon sealer in those areas following the steps below:



3652287

1. Remove the door trim panel. Refer to Front Side Door Trim Replacement in SI.
2. Peel down the door water deflector enough to access the inner door.



3652289

3. Remove the front door lower speaker. Refer to Radio Front Side Door Speaker Replacement in SI.
4. Inspect the gap between the inner door beam and door skin for voids in the adhesive.



3652291

Tip: Use of a trim stick, or equivalent tool, may help to work the sealer into the gap.

5. Add a bead of *3M Windo-Weld™ Ribbon Sealer P/N 08611, or equivalent, to the areas where adhesive is missing. Work the sealer so there is a continuous bead in the gap from the rear of the door beam to the front.
6. Reinstall the front door lower speaker and test to make sure the rattle noise is eliminated. Refer to Radio Front Side Door Speaker Replacement in SI.
7. Reposition the water deflector and reinstall the door trim panel. Refer to Front Side Door Trim Replacement in SI.

Parts Information

*We believe this source and their products to be reliable. There may be additional manufacturers of such products/materials. General Motors does not endorse, indicate any preference for, or assume any responsibility for the products or material from this firm or for any such items that may be available from other sources.

Part Number	Description
08611	3M Windo-Weld™ Ribbon Sealer

Warranty Information

For vehicles repaired under warranty, use:

Labor Operation	Description	Labor Time
1480168*	Add Adhesive to Front Door Inner Beam	0.6 hr
* This is a unique labor operation for bulletin use only. It will not be published in the Labor Time Guide.		