



TOYOTA RAV4 EV

2013 PRE-DELIVERY SERVICE CHECK SHEET

January 2013

BEFORE INSPECTION	OK	Adjust/Repair
01 Install Short Pin – see page 2	<input type="checkbox"/>	<input type="checkbox"/>
02 Install antenna*	<input type="checkbox"/>	<input type="checkbox"/>

FUNCTIONAL OPERATION		
<i>Apply parking brake and cycle the Start/Stop switch to "Ready" On; place gear selector in reverse; turn on lights and rear defogger; unlock doors; release battery charger door.</i>		
01 Check dome, courtesy, map, and sun visor lights	<input type="checkbox"/>	<input type="checkbox"/>
02 Check warning/indicator lights, gauges, and horn	<input type="checkbox"/>	<input type="checkbox"/>
03 Check windshield wipers and washers	<input type="checkbox"/>	<input type="checkbox"/>
04 Check headlights, instrument lights, turn signals, emergency flashers, and brake lights	<input type="checkbox"/>	<input type="checkbox"/>
05 Check inside/outside rear view mirror operation/adjustment	<input type="checkbox"/>	<input type="checkbox"/>
06 Check cigarette lighter* and power outlets	<input type="checkbox"/>	<input type="checkbox"/>
07 Check audio/navigation*/backup camera* systems and set clock	<input type="checkbox"/>	<input type="checkbox"/>
08 Check sliding roof*	<input type="checkbox"/>	<input type="checkbox"/>

WALKAROUND INSPECTION		
<i>Start at left front door. Check window and door lock operation (from master power switch, if equipped). Continue around vehicle in a counterclockwise direction checking each door and window operation, child door locks, seat belts, interior condition, all lights, luggage compartment contents. Finish by checking headlight aim and continue into UNDER HOOD checks.</i>		
01 Check Smart Key System*	<input type="checkbox"/>	<input type="checkbox"/>
02 Check window operation	<input type="checkbox"/>	<input type="checkbox"/>
03 Check that child safety door locks are in normal (unlocked) position	<input type="checkbox"/>	<input type="checkbox"/>
04 Check seats and seat belt operation	<input type="checkbox"/>	<input type="checkbox"/>
05 Check rear defogger/rear view mirror defogger*	<input type="checkbox"/>	<input type="checkbox"/>
06 Check side marker, tail, backup, and license plate lights	<input type="checkbox"/>	<input type="checkbox"/>
07 Check luggage compartment light* and trim appearance	<input type="checkbox"/>	<input type="checkbox"/>
08 Check headlight aim	<input type="checkbox"/>	<input type="checkbox"/>

UNDER HOOD		
01 Check brake and power steering fluid levels	<input type="checkbox"/>	<input type="checkbox"/>
02 Check battery system coolant level (blue; right side)	<input type="checkbox"/>	<input type="checkbox"/>
03 Check motor system coolant level (blue; left side)	<input type="checkbox"/>	<input type="checkbox"/>
04 Check heater system coolant level (pink; right side)	<input type="checkbox"/>	<input type="checkbox"/>
05 Check windshield washer fluid level	<input type="checkbox"/>	<input type="checkbox"/>
06 Check auxiliary battery state-of-charge using Digital Battery System Analyzer (SOC Reading: _____%)	<input type="checkbox"/>	<input type="checkbox"/>
07 Inspect for coolant and other fluid leaks	<input type="checkbox"/>	<input type="checkbox"/>

COMMENTS: _____

UNDER VEHICLE (ON HOIST)	OK	Adjust/Repair
01 Remove disc brake anti-rust covers/anti-corrosion wheel film*	<input type="checkbox"/>	<input type="checkbox"/>
02 Inspect tires for defects/damage	<input type="checkbox"/>	<input type="checkbox"/>
03 Tire Pressure Warning System (TPWS) confirmation - see page 2	<input type="checkbox"/>	<input type="checkbox"/>
04 Install wheel covers/caps/spare tire wheel covers*	<input type="checkbox"/>	<input type="checkbox"/>
05 Inspect for coolant and other fluid leaks	<input type="checkbox"/>	<input type="checkbox"/>
06 Inspect under the vehicle for damage, rust, etc.	<input type="checkbox"/>	<input type="checkbox"/>
07 Visually check bolts and nuts on chassis and powertrain for looseness	<input type="checkbox"/>	<input type="checkbox"/>
08 Install rubber body plugs* (stored in glove box or center console)	<input type="checkbox"/>	<input type="checkbox"/>

ROAD TEST
<i>A complete road test helps assure customer satisfaction. Drive vehicle over a variety of road surfaces and driving conditions. Check for unusual noise and driving performance.</i>

Enter Odometer Readings
 Reading Before Test: _____ Reading After Test: _____

01 Check electric motor operation	<input type="checkbox"/>	<input type="checkbox"/>
02 Check gear selector operation	<input type="checkbox"/>	<input type="checkbox"/>
03 Check brake and parking brake operation	<input type="checkbox"/>	<input type="checkbox"/>
04 Check steering operation & off-center/vehicle pull/flutter	<input type="checkbox"/>	<input type="checkbox"/>
05 Inspect for abnormal noise and vibration	<input type="checkbox"/>	<input type="checkbox"/>
06 Inspect for squeaks and rattles	<input type="checkbox"/>	<input type="checkbox"/>
07 Check front and rear* heater and A/C operation	<input type="checkbox"/>	<input type="checkbox"/>
08 Check cruise control operation*	<input type="checkbox"/>	<input type="checkbox"/>
09 Check front seat heater/ventilation operation*	<input type="checkbox"/>	<input type="checkbox"/>

FINAL INSPECTION AND CLEANING		
01 Remove interior protective covers, unnecessary labels, tags, etc. (Remove just before delivery to customer)	<input type="checkbox"/>	<input type="checkbox"/>
02 Visually inspect all interior parts for installation, damage, fit, dirt, etc.	<input type="checkbox"/>	<input type="checkbox"/>
03 Verify floor mat application and install using retaining clips*	<input type="checkbox"/>	<input type="checkbox"/>
04 Verify the green light is illuminated on SOS (Safety Connect) button*	<input type="checkbox"/>	<input type="checkbox"/>
05 Remove Rappard™ and clear protective bumper film*	<input type="checkbox"/>	<input type="checkbox"/>
06 Wash and clean vehicle	<input type="checkbox"/>	<input type="checkbox"/>
07 Inspect paint finish for scratches, chips, rust, dents, damage, etc.	<input type="checkbox"/>	<input type="checkbox"/>
08 Inspect exterior body parts for proper installation, damage, rust, etc.	<input type="checkbox"/>	<input type="checkbox"/>
09 Place Owner's Guide & first aid kit portfolio* in glove box	<input type="checkbox"/>	<input type="checkbox"/>
10 Install front license plate and mounting bracket - see page 2	<input type="checkbox"/>	<input type="checkbox"/>
11 Perform Techstream Health Check	<input type="checkbox"/>	<input type="checkbox"/>
12 Fully Charge EV battery	<input type="checkbox"/>	<input type="checkbox"/>

* Inspect or install when equipped/required.

Completion and retention of this form is required to comply with Toyota's Warranty Policy.

TECHNICIAN'S SIGNATURE _____ SERVICE MANAGER'S SIGNATURE _____

NAME (PLEASE PRINT) _____ NAME (PLEASE PRINT) _____

Date _____ Dealer Name _____ Dealer Code _____ Vehicle Identification Number (Sticker) _____

We hereby certify that all items on this form have been checked and corrected for proper operation as required.

SHORT PIN INSTALLATION

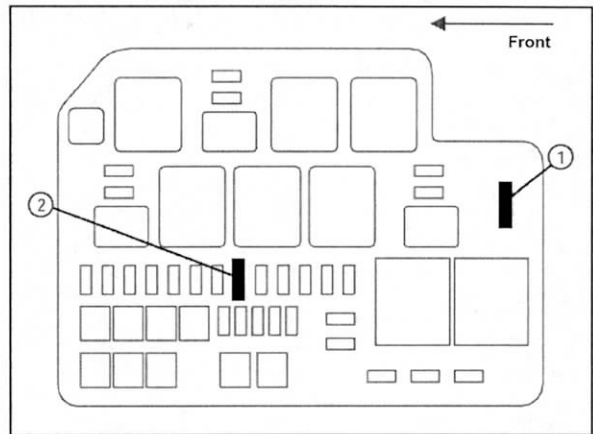
To minimize battery discharge the short pin has been removed and is stored in the engine compartment Relay Block. Install the Short Pin and confirm all related DTCs are cleared.

DTC Clearing Procedure

1. Connect TIS Techstream to DLC3.
2. Cycle the ignition switch to the "IG-ON" position.
3. Using TIS Techstream, check any other codes being output.
4. Erase DTCs (B1650 and B1794) and Freeze Frame Data.

NOTE

If any DTCs besides DTC B1650 and B1794 remain, repair the applicable system according to the Repair Manual.



1 Short Pin Storage Location

2 Install Short Pin Here

TPWS CONFIRMATION

1. Make sure that the tires are cold and set the tire inflation pressure of all tires (except the spare tire) to the specified values.

HINT

The specified values are shown on the sidewall of the tire and the loading information label on the driver's side door jamb.

2. Connect Techstream to the DLC3.
3. Cycle the power switch to "Ready OFF" mode and turn Techstream on.
4. Enter the following menus: Chassis / Tire Pressure Monitor / Data List.
5. Confirm that the tire pressure data of all tires is displayed on the Techstream screen.

HINT

- The order in which the data is received is random.
- It may take up to a few minutes until the values are displayed.
- If the values are not displayed after a few minutes, perform troubleshooting according to the inspection procedure for DTCs C21221/21 to C2124/24. Refer to the Repair Manual.

6. Remove the ID number labels from each wheel (if present) and discard.

NOTE

To adjust tire pressure correctly when outside temperature is significantly colder or warmer than shop temperature, follow the procedures outlined in Service Bulletin No. T-SB-0020-12, "Tire Inflation Pressure Compensation and Adjustment".

FRONT LICENSE PLATE & MOUNTING BRACKET INSTALLATION

1. Insert the front license plate into the tabs on the front license plate mounting bracket.
2. Align the installation holes on the front license plate and bracket with the dimples on the front bumper.
3. Screw the two self-tapping screws directly into the dimples to install the front license plate and bracket bolts with the following measurements:

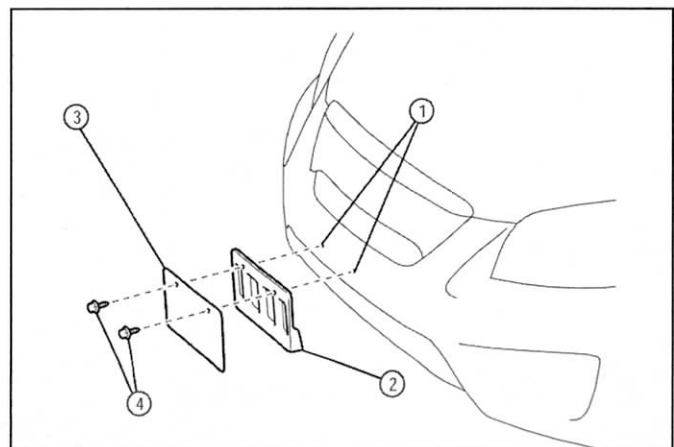
Length: 20.0 - 25.0 mm (0.79 - 0.98 in.)

Diameter: 6.0 mm (0.24 in.)

Pitch: 1.0 mm (0.04 in.)

NOTICE

- Do NOT drill at the dimples on the front bumper cover.
- Do not over-tighten the self tapping screws.



1 Dimples

2 Front License Plate Mounting Bracket

3 License Plate

4 Self-Tapping Screws