



Service Bulletin

File in Section: -

Bulletin No.: PI0931

Date: March, 2013

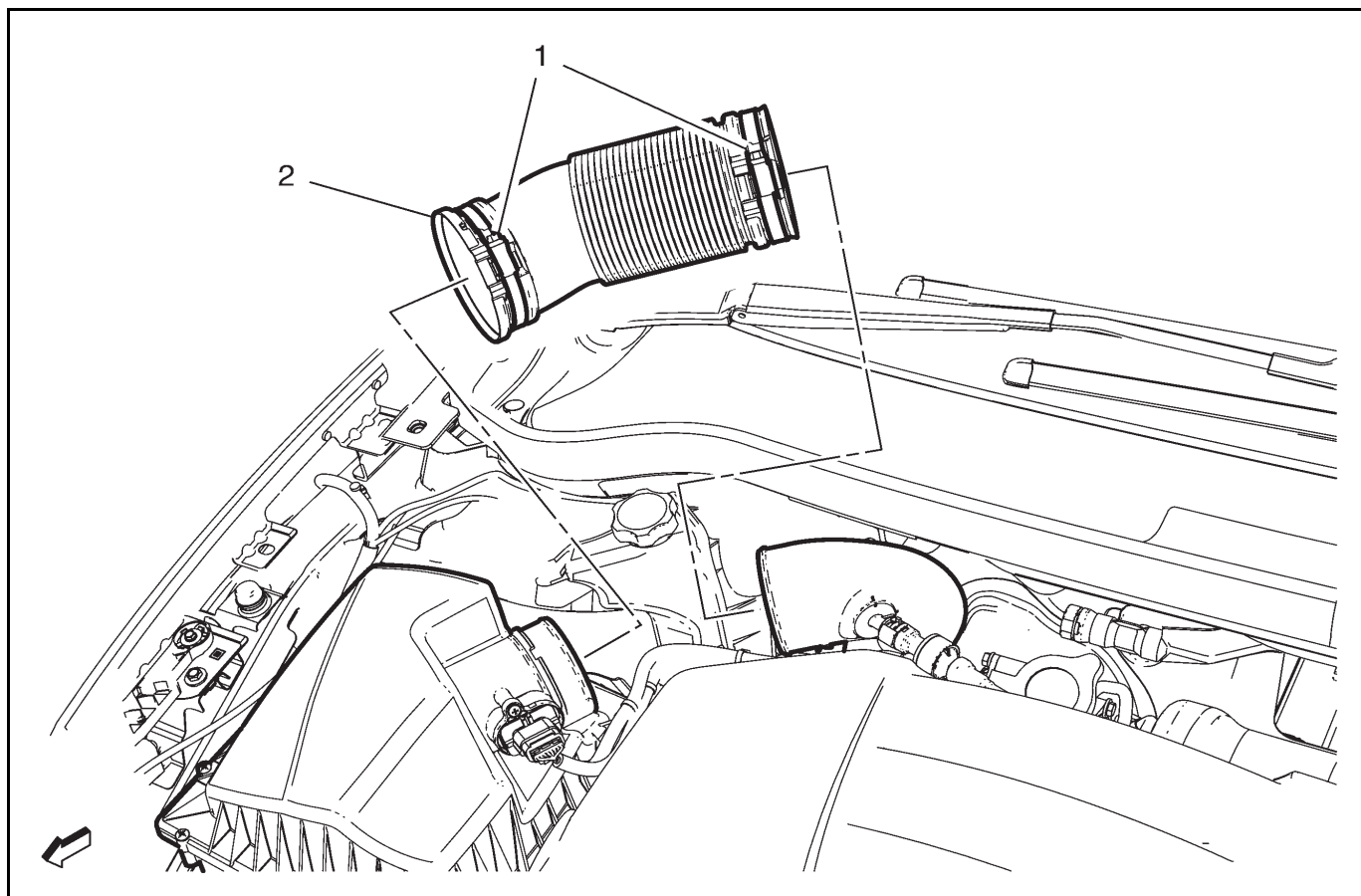
PRELIMINARY INFORMATION

Subject: Service Engine Soon (SES) Light On with DTCs P0171, P1101, and/or P0101 Set

Models: 2013 Buick Verano
Equipped with 2.0L Engine (RPO LHU)

Condition/Concern

Some customers may comment that the service engine soon (SES) light is on. Upon further inspection, the technician may find P0171, P1101 and/or P0101 stored in history.



2699465

This condition may be caused by loose clamps on the air cleaner duct (1) as shown in the illustration above.

Recommendation/Instructions

Inspect both clamps on the air cleaner outlet duct to ensure that the clamps are secured tightly.

Warranty Information

For vehicles repaired under warranty, use:

Labor Operation	Description	Labor Time
J7956*	Inspect and Tighten Clamps on Air Duct	0.2 hr
*This is a unique labor operation for bulletin use only. It will not be published in the Labor Time Guide.		