



# Service Bulletin

File in Section: -

Bulletin No.: PI0895

Date: February, 2013

## PRELIMINARY INFORMATION

**Subject:** Front Seat Cushion Cover Detached/Loose from Front of Seat Frame

**Models:** 2011-2012 Buick Enclave  
2011-2012 Chevrolet Traverse  
2011-2012 GMC Acadia

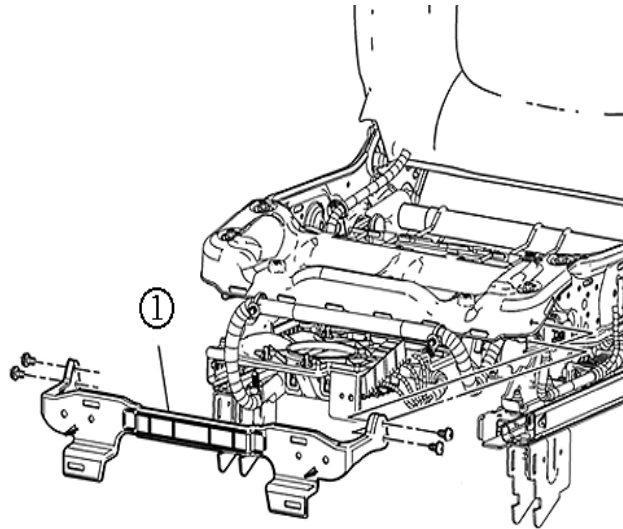
### Condition/Concern

Some customers may comment that the front seat cushion cover J-channel may become detached from the seat frame, causing the seat cushion cover to be loose along the front edge of the driver or passenger seat.

The cause of this condition may be that the stack up of tolerances for the seat cushion cover size and the seat frame stamping may allow the front J-channel to become loose from the seat frame flange.

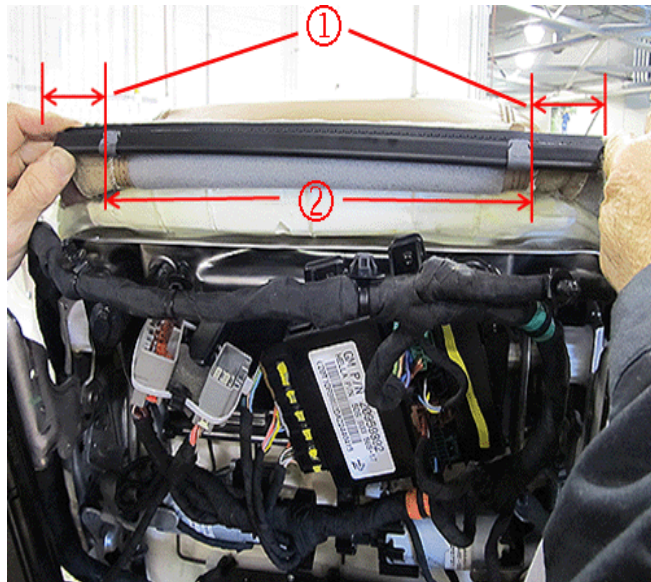
### Recommendation/Instructions

To improve retention of the seat cushion cover to the seat frame, secure the front J-channel by adding two retaining clips, GM P/N 11611745, to the affected seat, following the steps below:



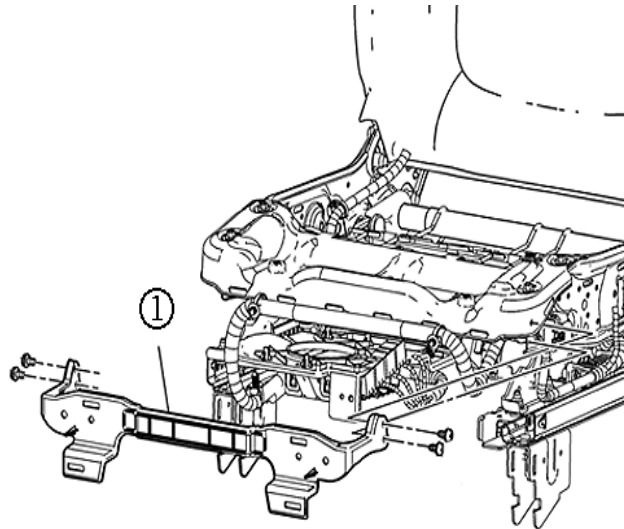
3260088

1. Remove the front seat cushion front finish panel bracket (1) from the affected seat. Refer to Front Seat Cushion Front Finish Panel Bracket Replacement in SI.
2. Completely detach the seat cushion cover front J-channel from the seat frame.



3260091

3. Add two retaining clips to the J-channel, positioned 50 mm (2.0 in) (1) from each end and approximately 280 mm (11.0 in) (2) apart.
4. Reinstall the J-channel to the front of the seat frame.



3260088

5. Reinstall the front seat cushion front finish panel bracket to the seat. Refer to Front Seat Cushion Front Finish Panel Bracket Replacement in SI.

## Parts Information

Part Number	Description	Qty
11611745	RETAINER, D/SEAT CUSH CVR	2 per seat

## Warranty Information

For vehicles repaired under warranty, use:

Labor Operation	Description	Labor Time
C9538*	Add Retaining Clips to Front Seat Cushion Cover J-Channel	0.6 hr
*This is a unique labor operation for bulletin use only. It will not be published in the Labor Time Guide.		